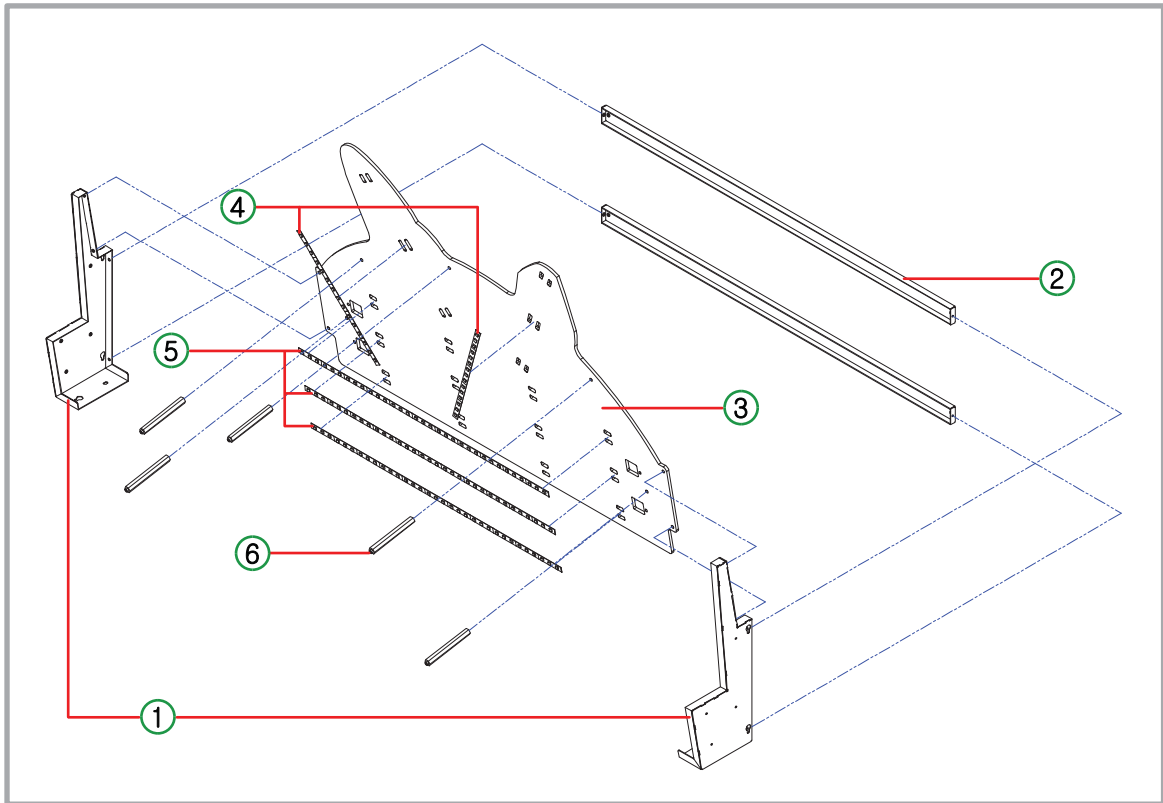
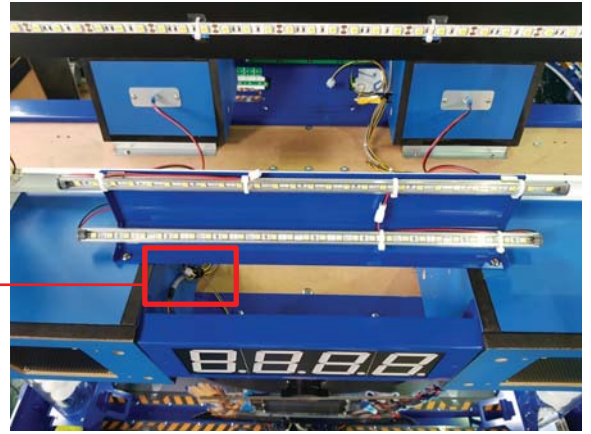
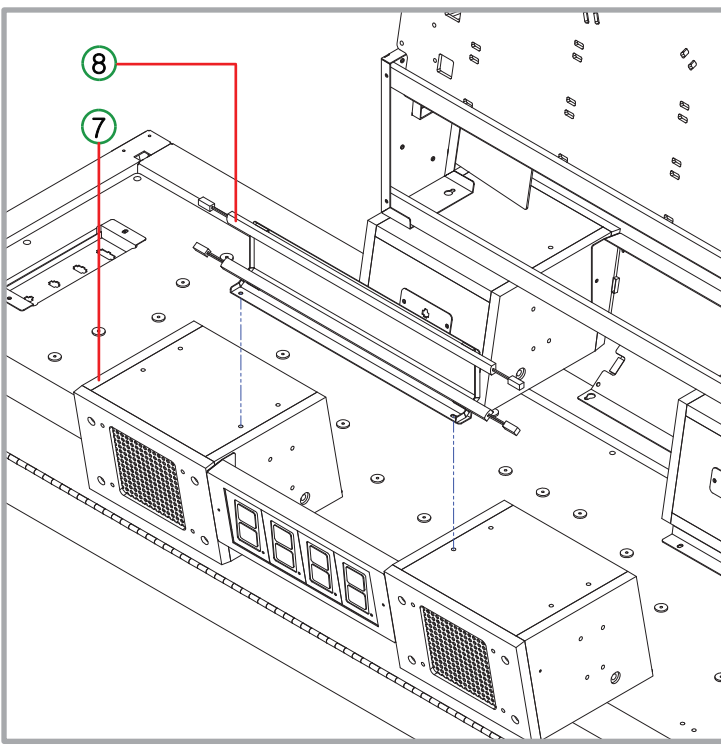


* INSTALL

- HOW TO INSTALL(BILLBOARD)

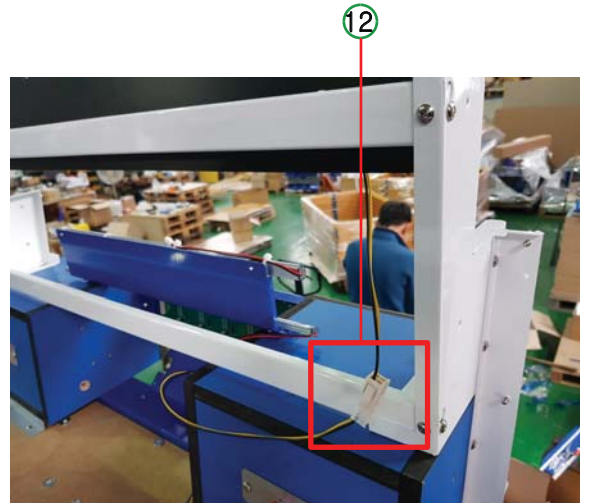
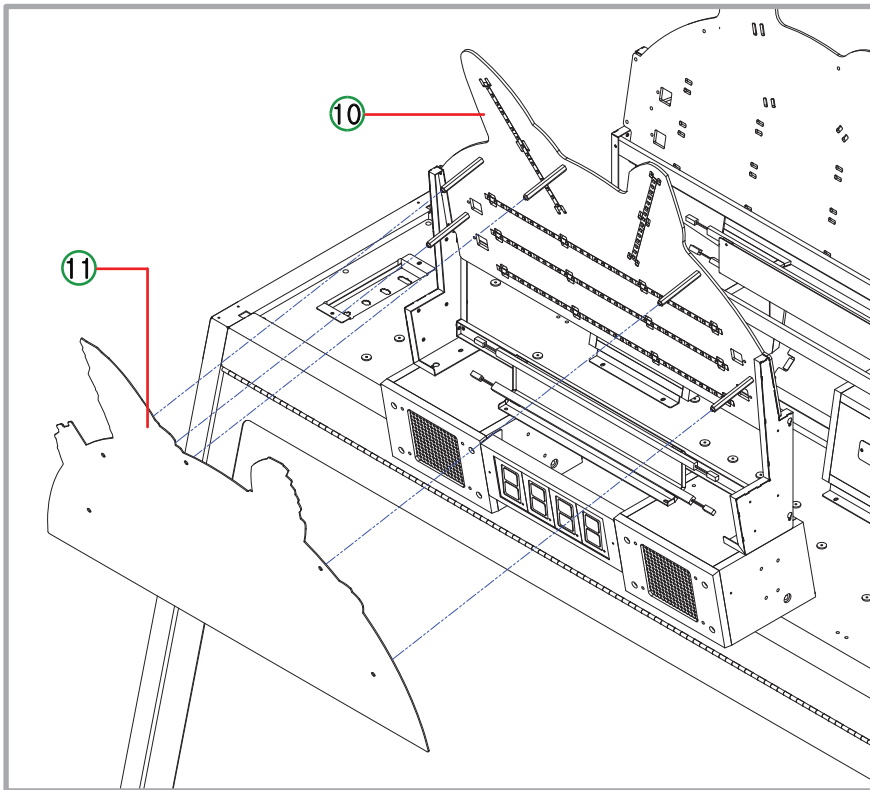


NO	PROCESS	ITEM	Q'TY	BOLT	SPEC	Q'TY
1		BILLBOARD TITLE FIX BKT-L, R	2			
2	ASSEMBLE	BILLBOARD TITLE LED BKT	2	TH NI	M4*6L	4
3	ASSEMBLE	BILLBOARD TITLE LED FOMAX	1	TH NI	M4*10L	4
4	ASSEMBLE	FLEX_T5050_WHITE_250_NWP_L_15	2			
5	ASSEMBLE	FLEX_T5050_WHITE_250_NWP_L_15	3			
6	ASSEMBLE	BILLBOARD TITLE ACRYL FIX SHAFT [MGOTOPRO003]	5	TH NI	M4*10L	5



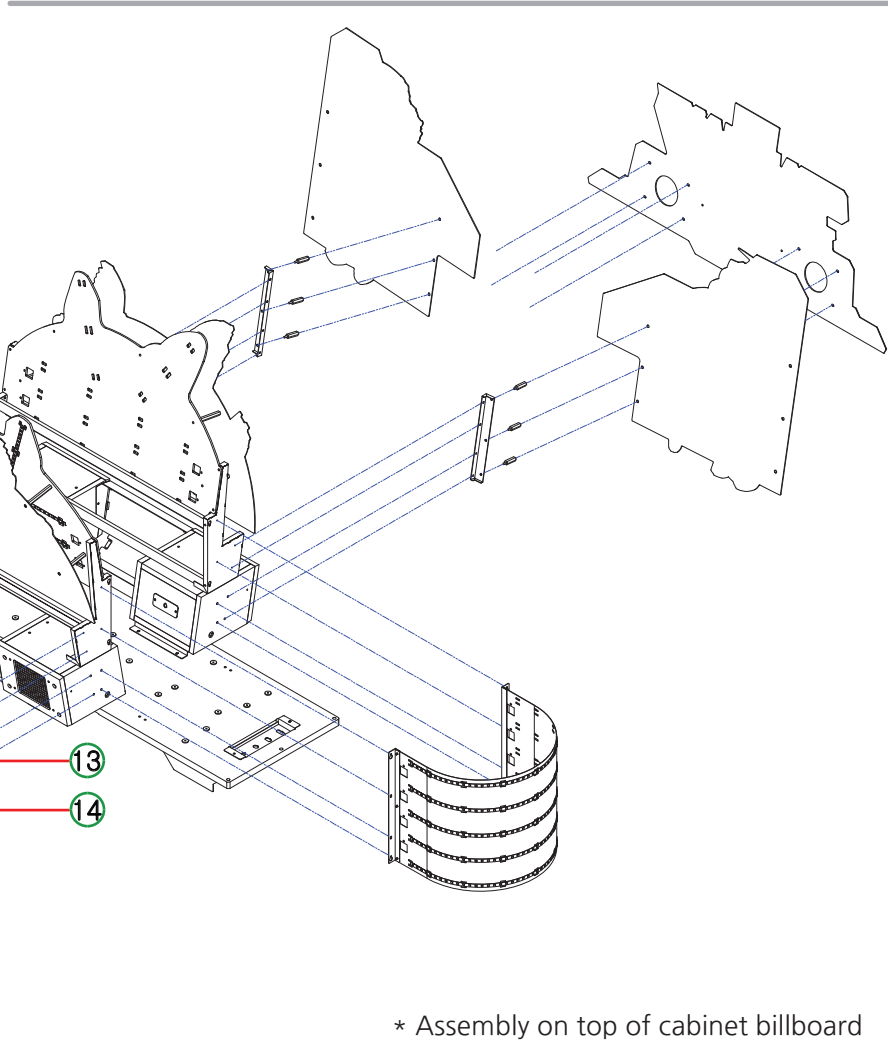
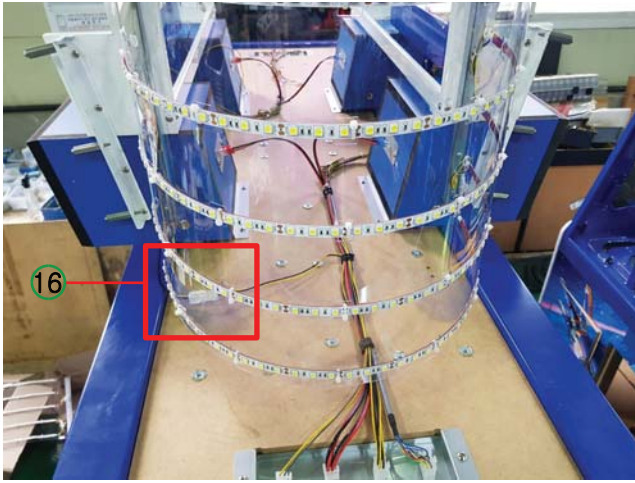
NO	PROCESS	ITEM	Q'TY	BOLT	SPEC	Q'TY
7		BILLBOARD SPEAKER PART				
8	ASSEMBLE	BILLBOARD BIGWIN FND LED PART	1	TH NI	M4*16L	2
9	CONNECTOR	CONNECTION	1			

: The opposite billboard is the same.



NO	PROCESS	ITEM	Q'TY	BOLT	SPEC	Q'TY
10		BILLBOARD TITLE PART				
11	ASSEMBLE	BILLBOARD TITLE COVER ACRYL	1	TH NI	M4*10L	5
12	CONNECTOR	CONNECTION				

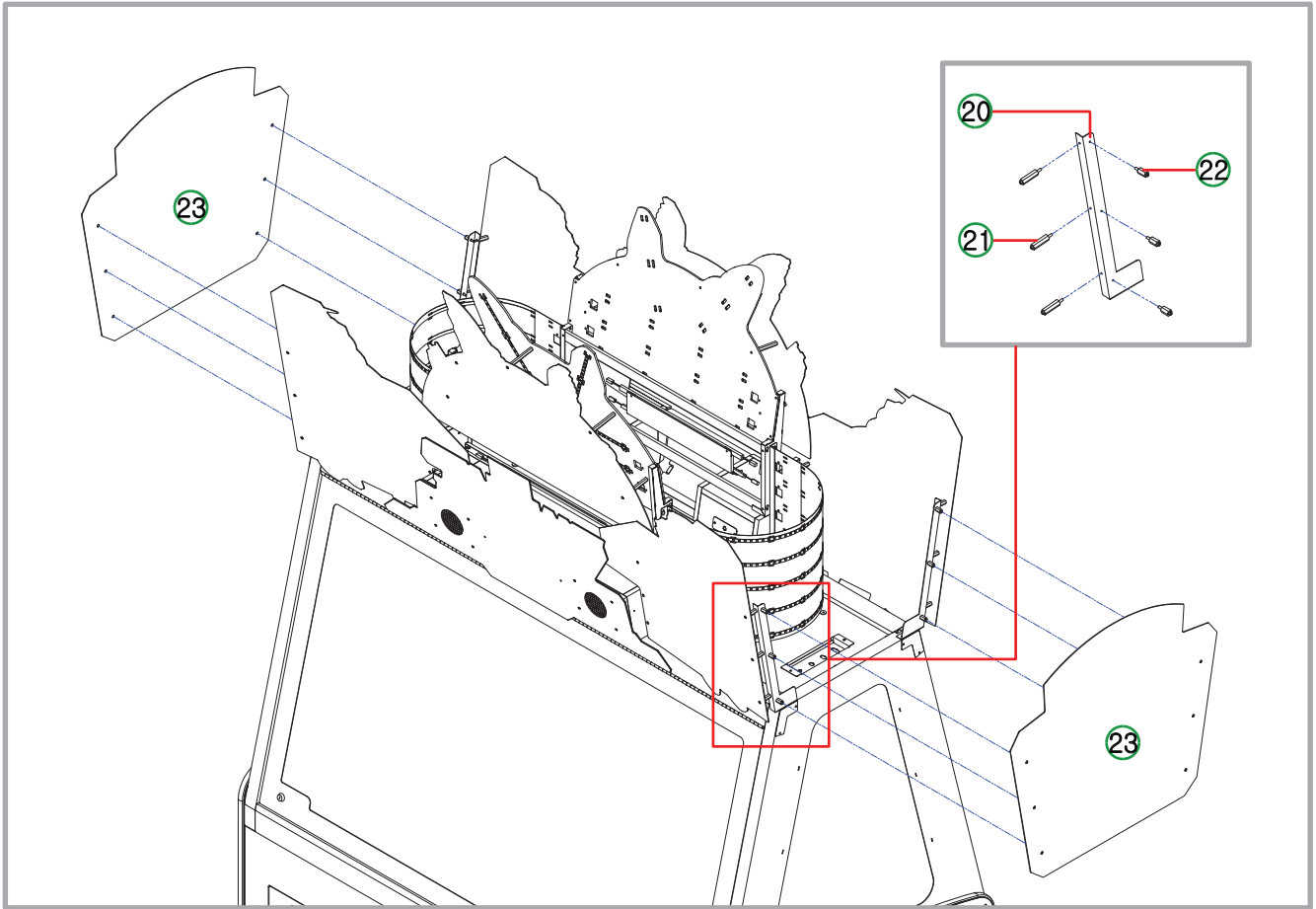
: The opposite billboard is the same.



* Assembly on top of cabinet billboard

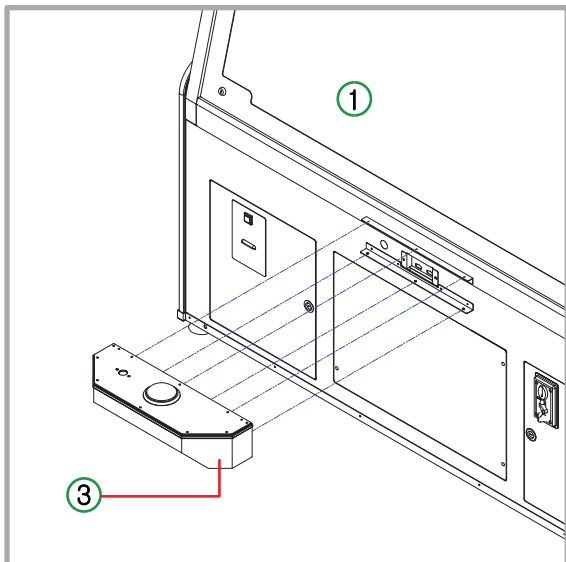
NO	PROCESS	ITEM	Q'TY	BOLT	SPEC	Q'TY
13		BILLBOARD DECO FIX BKT-R	2	TH NI	M4*6L	8
14	ASSEMBLE	BILLBOARD FRONT ACRYL FIX SHAFT [MGOTOPRO001]	6	TH NI	M4*6L	6
15	ASSEMBLE	BILLBOARD SIDE LIGHT LED PART ASS'Y	2	TH NI	M4*10L	16
16	CONNECTOR	CONNECTION	1			
17	ASSEMBLE	BILLBOARD DECO ACRYL-L	1	TH NI	M4*10L	6
18	ASSEMBLE	BILLBOARD DECO ACRYL-R	1	TH NI	M4*10L	6
19	ASSEMBLE	BILLBOARD BIGWIN FND COVER ACRYL	1	TH NI	M4*10L	10

: The opposite billboard is the same.



NO	PROCESS	ITEM	Q'TY	BOLT	SPEC	Q'TY
20		BILLBOARD DECO FIX BKT-R	4	TH NI	M4*6L	8
21	ASSEMBLE	BILLBOARD FRONT ACRYL FIX SHAFT [MGOTOPRO001]	12	TH NI	M4*6L	12
22	ASSEMBLE	BILLBOARD SIDE ACRYL FIX SHAFT [MGOTOPRO002]	12	TH NI	M4*10L	12
23	ASSEMBLE	BILLBOARD SIDE POP COVER ACRYL	2	TH NI	M4*10L	12

2) BUTTON ASS'Y



NO	PROCESS	ITEM	Q'TY	BOLT	SPEC	Q'TY
1		CABINET ASS'Y				
2	CONNECTOR	CONNECTION	1			
3	ASSEMBLE	BUTTON ASS'Y	1	TH NI	M4*10L	6