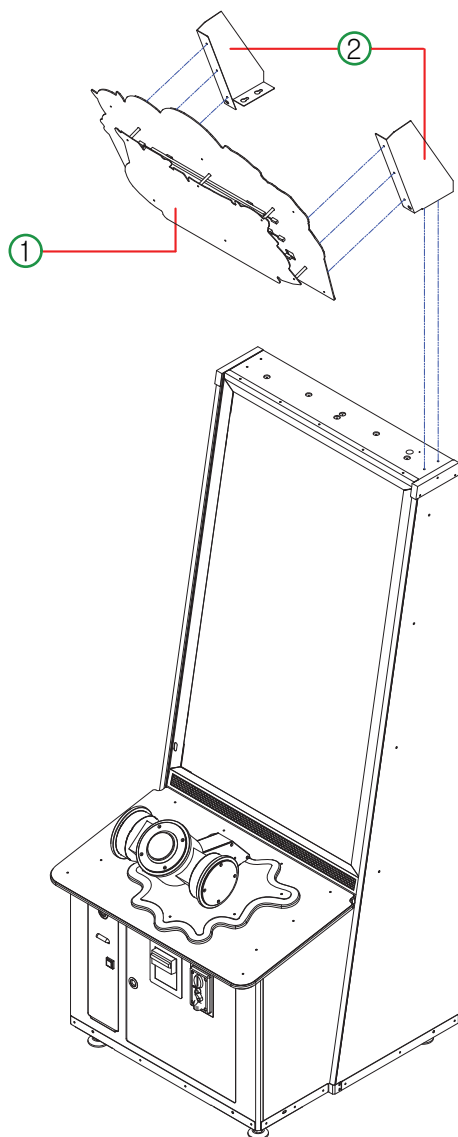
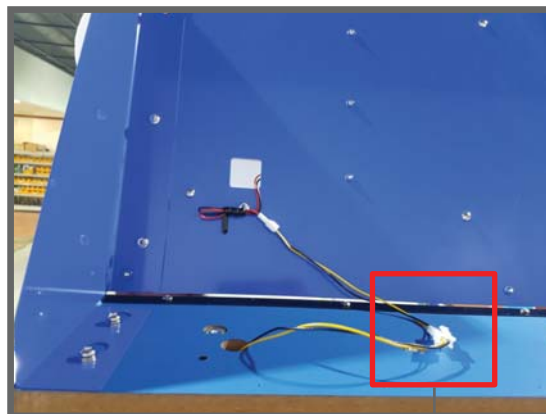


HOW TO INSTALL BILLBOARD

1



- After assembling ① BILLBOARD FRAME PART and ② BILLBOARD FIX BKT L, R, connect connector using [M4 nut, 6pcs]



CONNECTION CONNECTOR

2



- You complete it like picture.