

*** ANDAMIRO WARRANTS the parts from date of shipment as follows.**

- 6 Month Limited Warranty : Electronic Boards

- 3 Month Limited Warranty : Solenoid Ass'y

CONTENTS

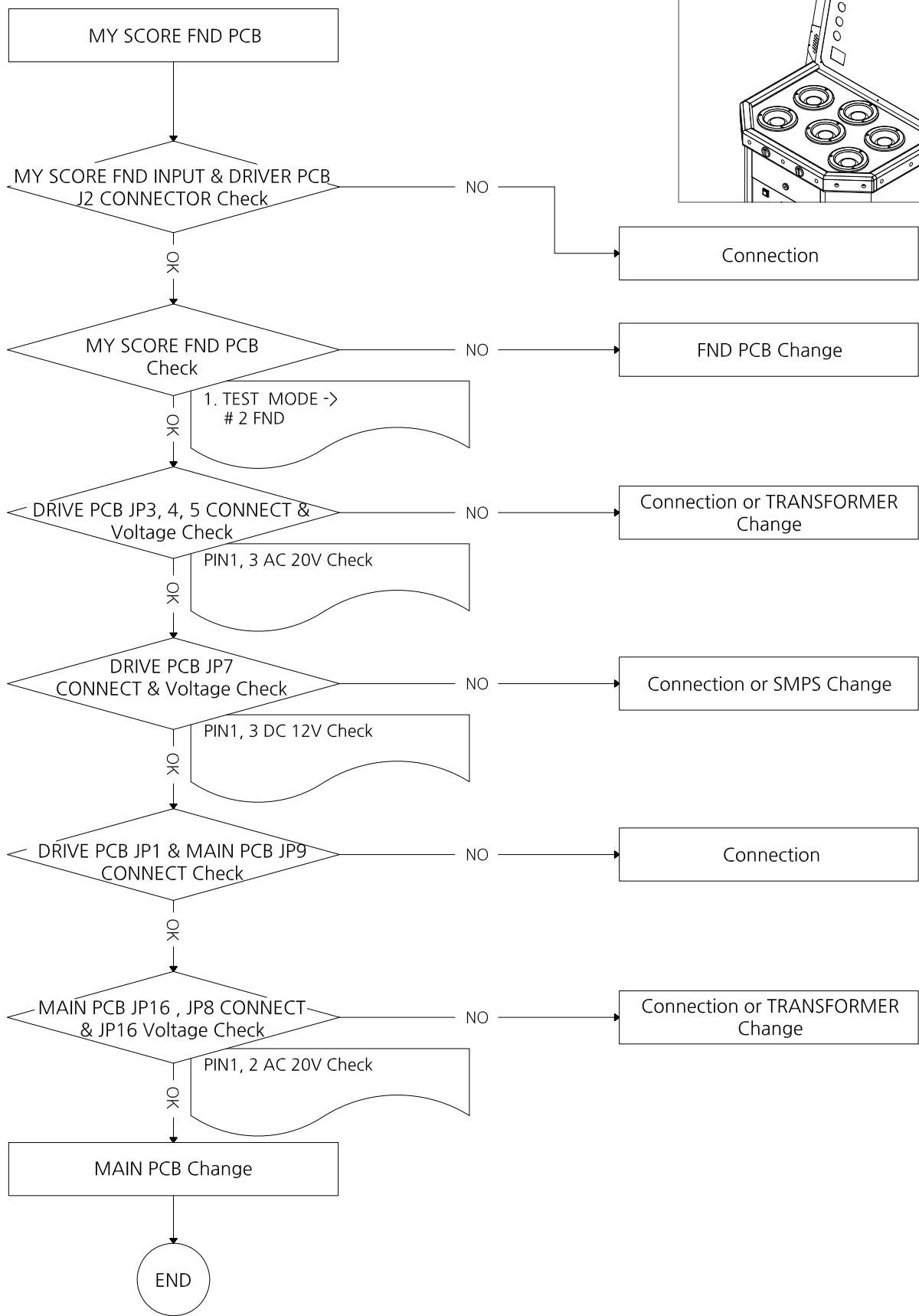
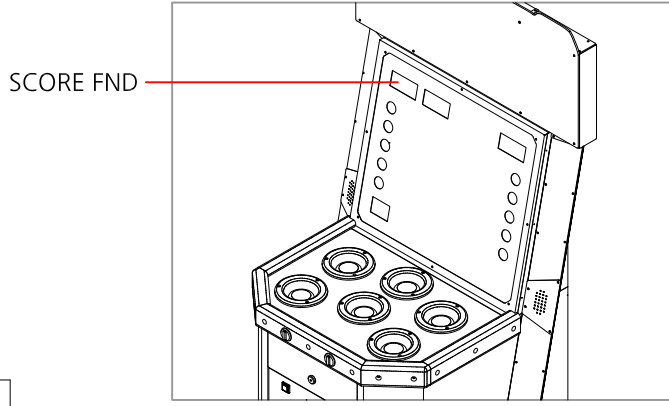
1. TROUBLESHOOTINGP01

2. TEST MODEP15

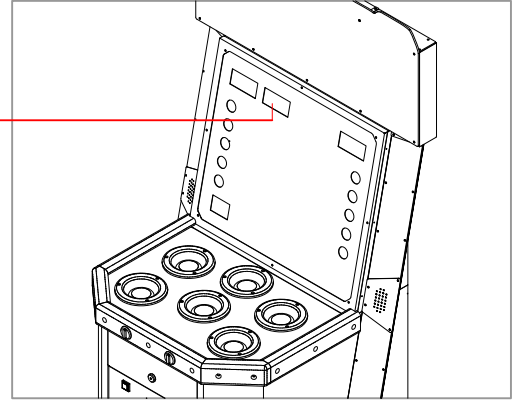
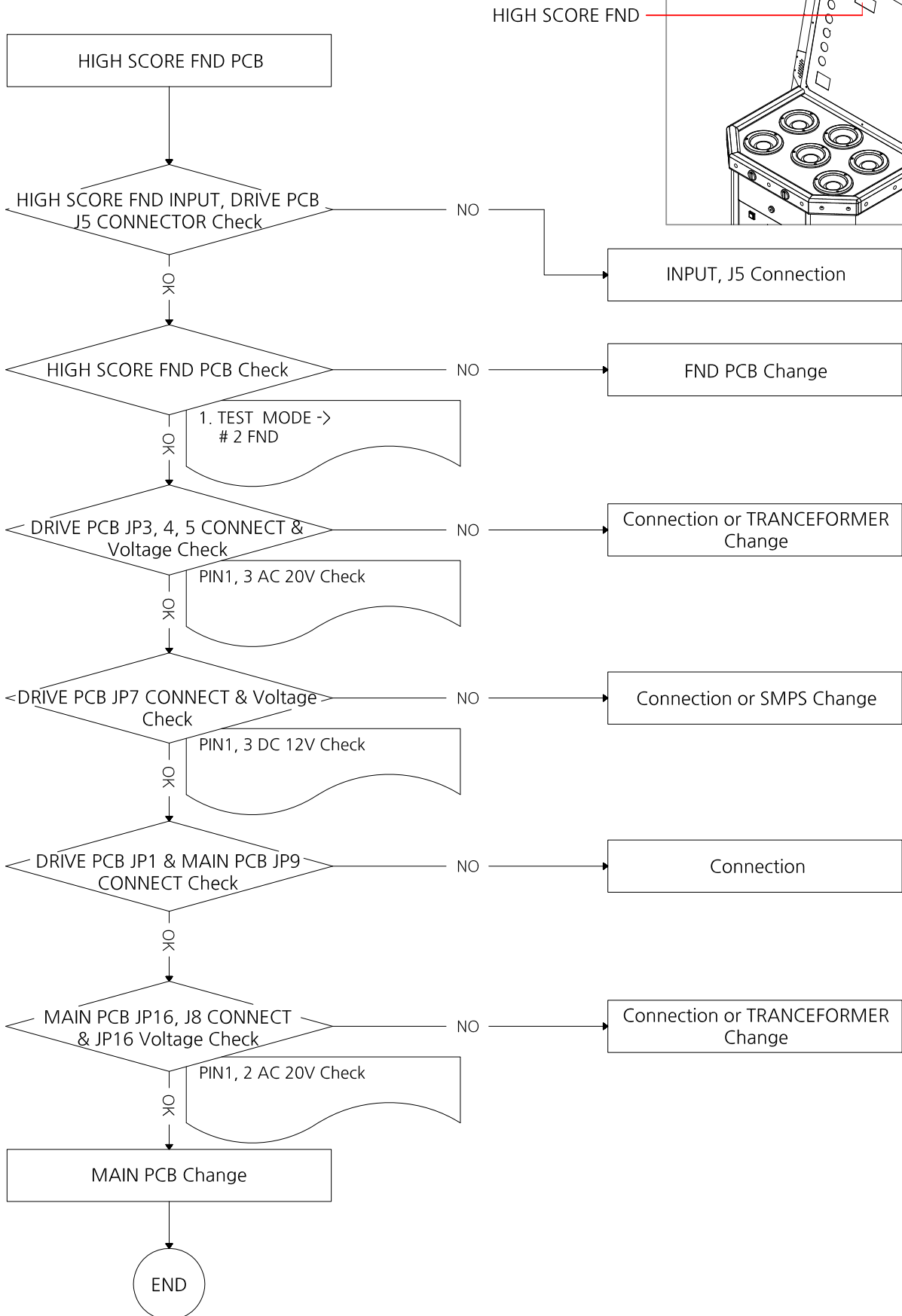
[TROUBLESHOOTING]

*Common: Check the input voltage, check wiring

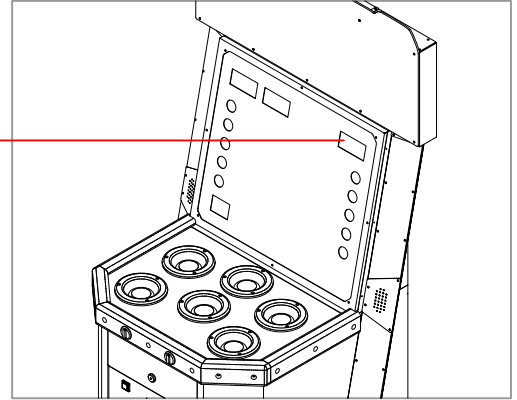
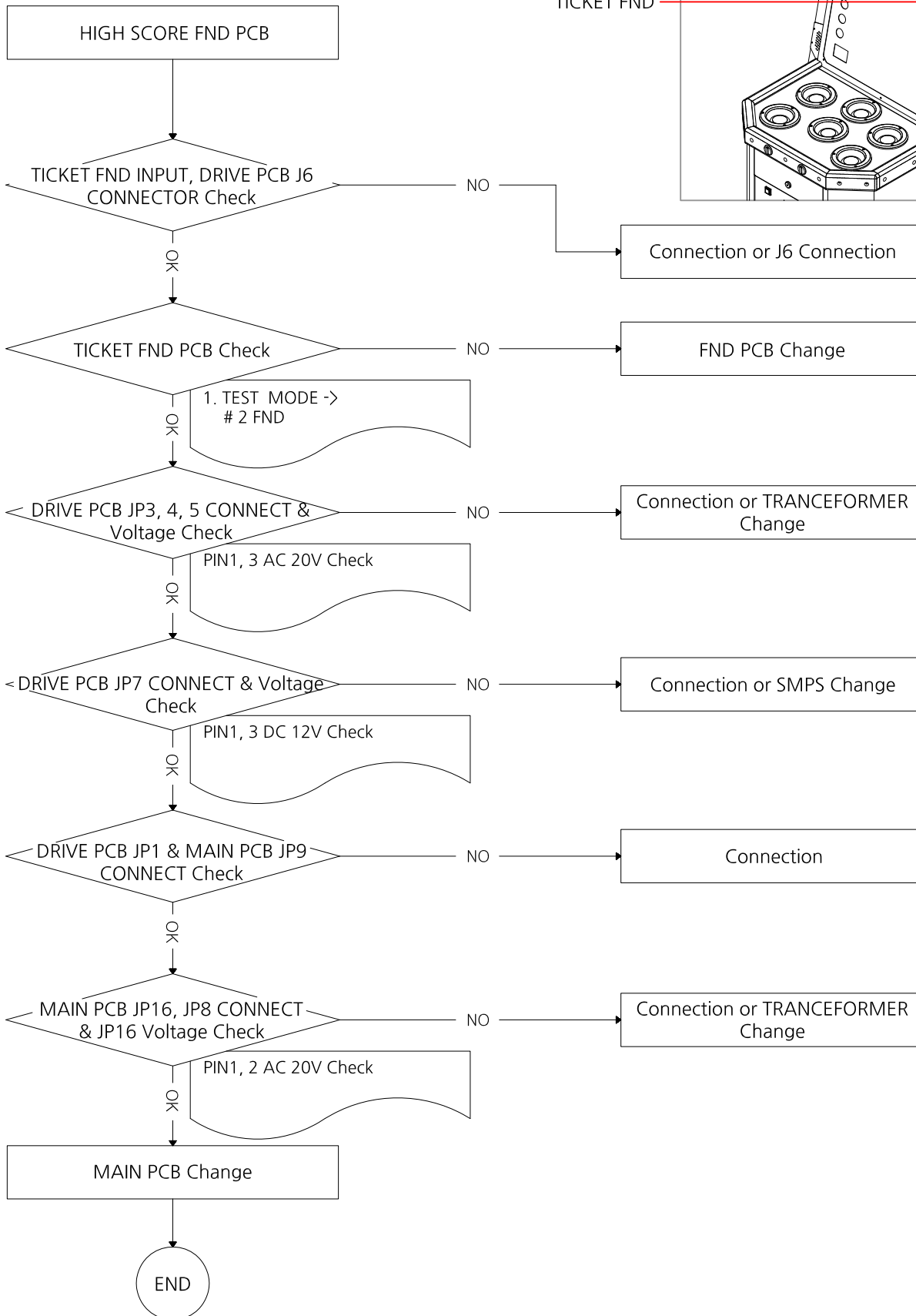
1. MY SCORE FND ERROR



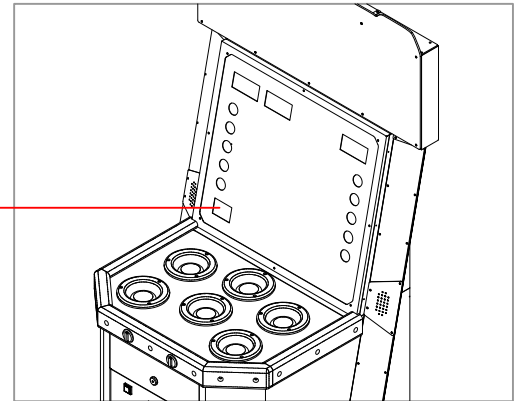
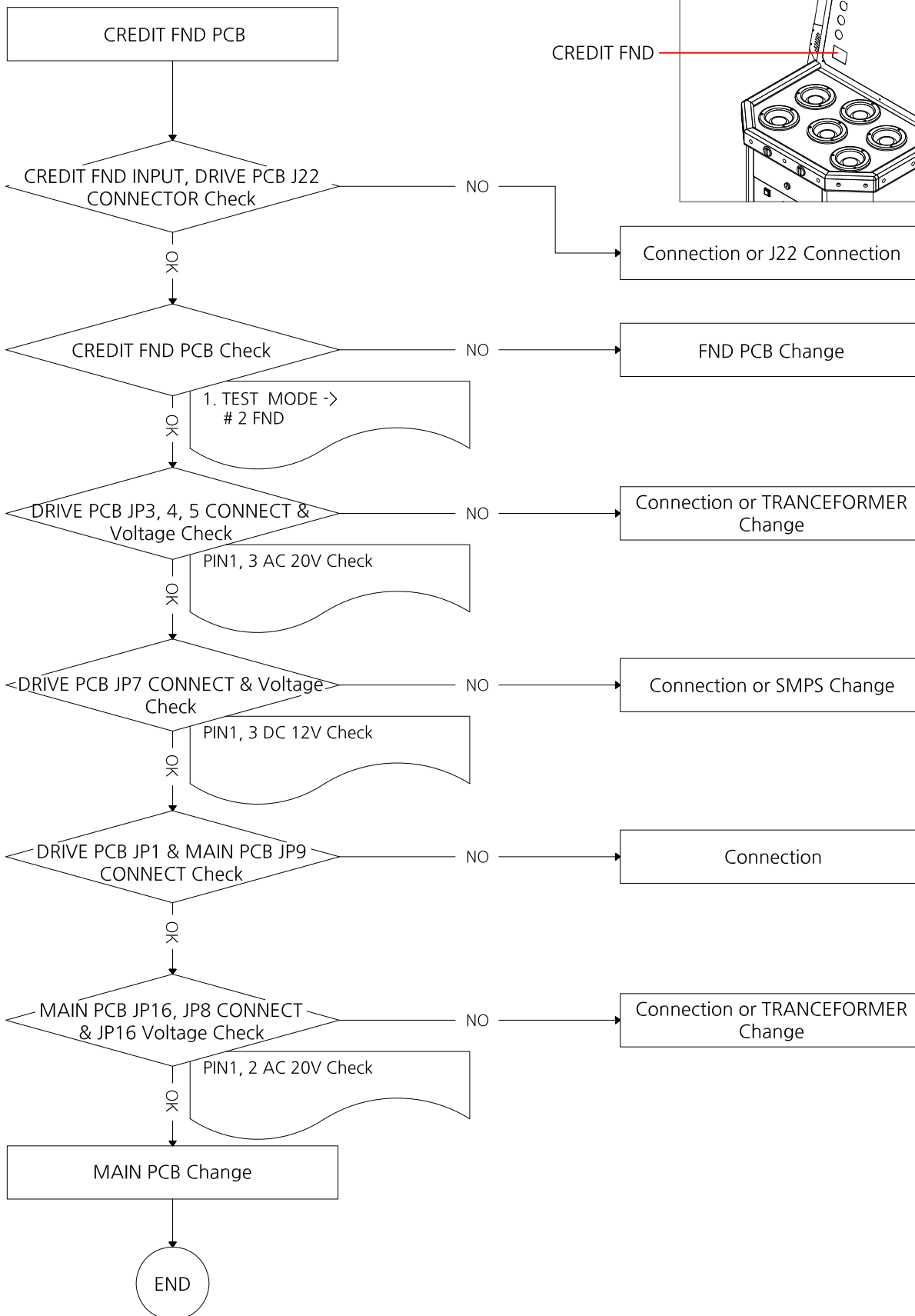
2. HIGH SCORE FND PCB ERROR



3. TICKET FND PCB ERROR

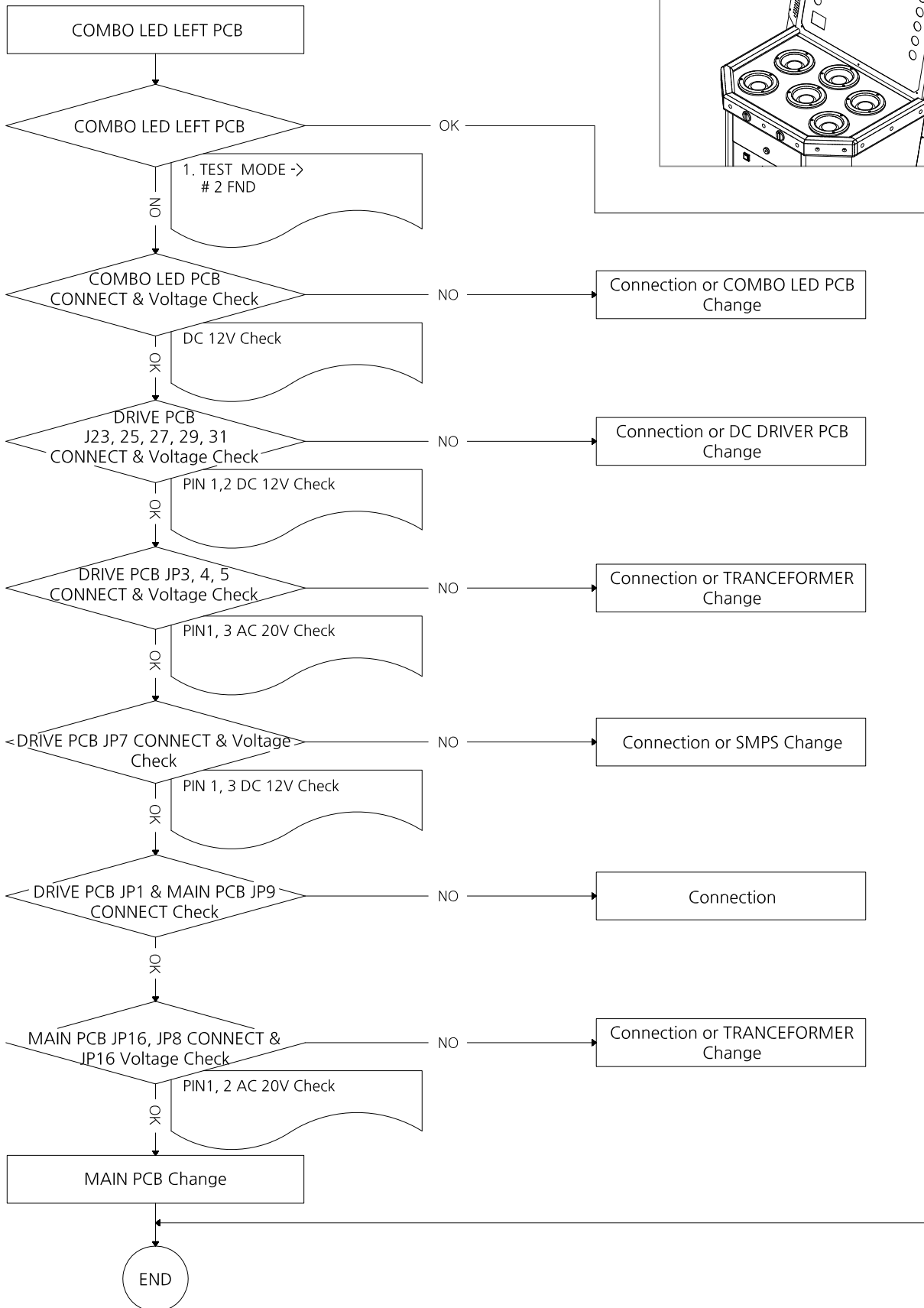
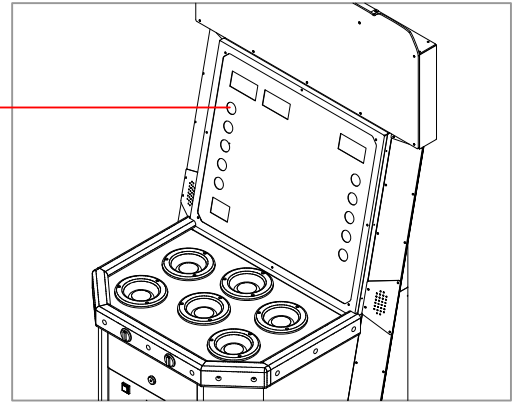


4. CREDIT FND PCB ERROR

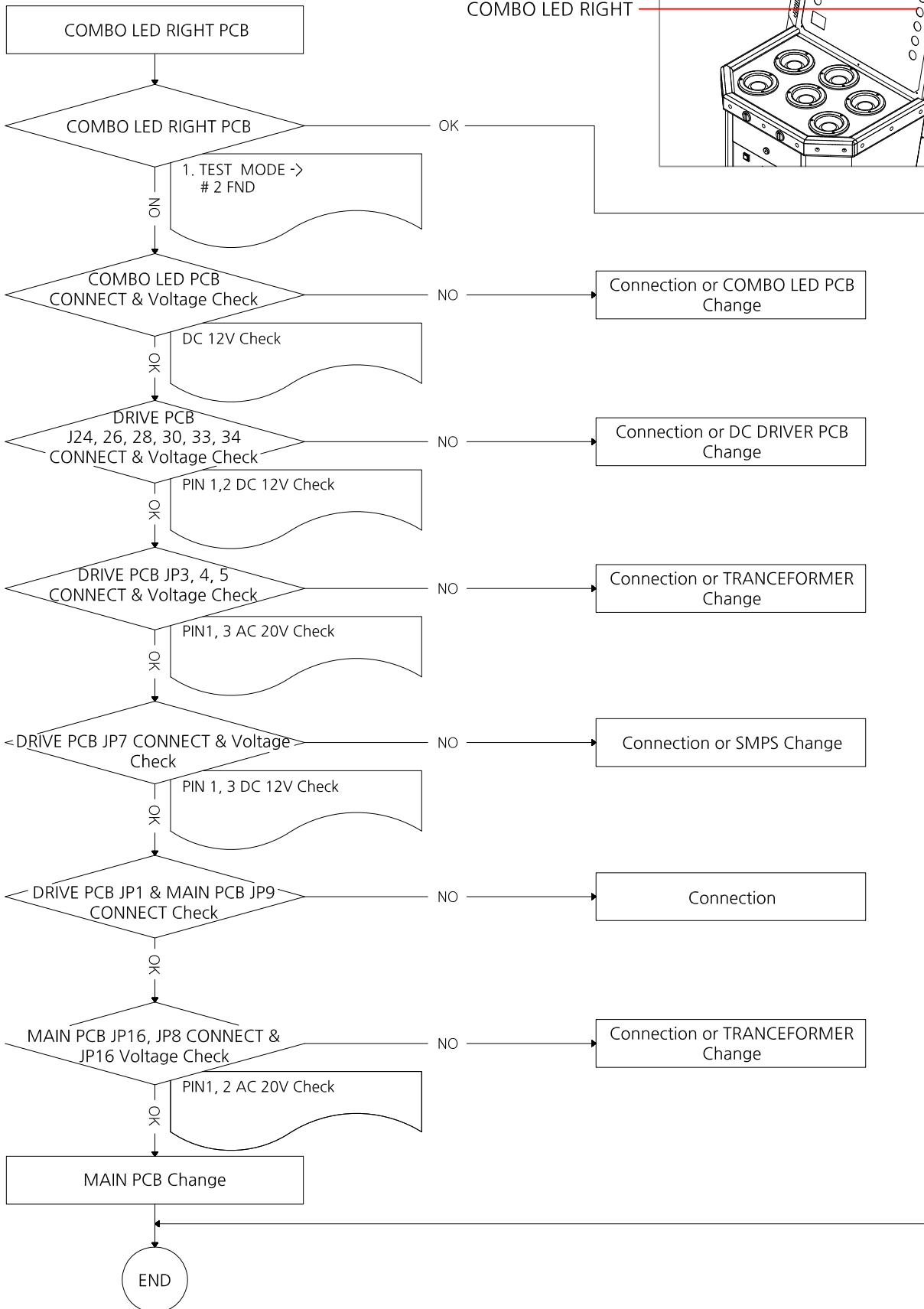
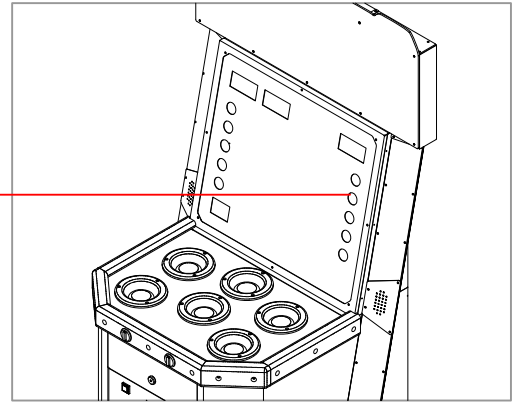


5. COMBO LED LEFT ERROR

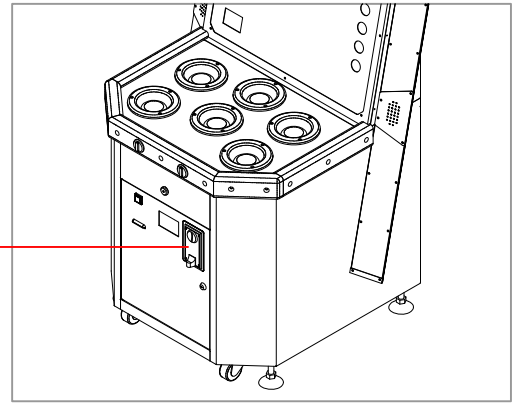
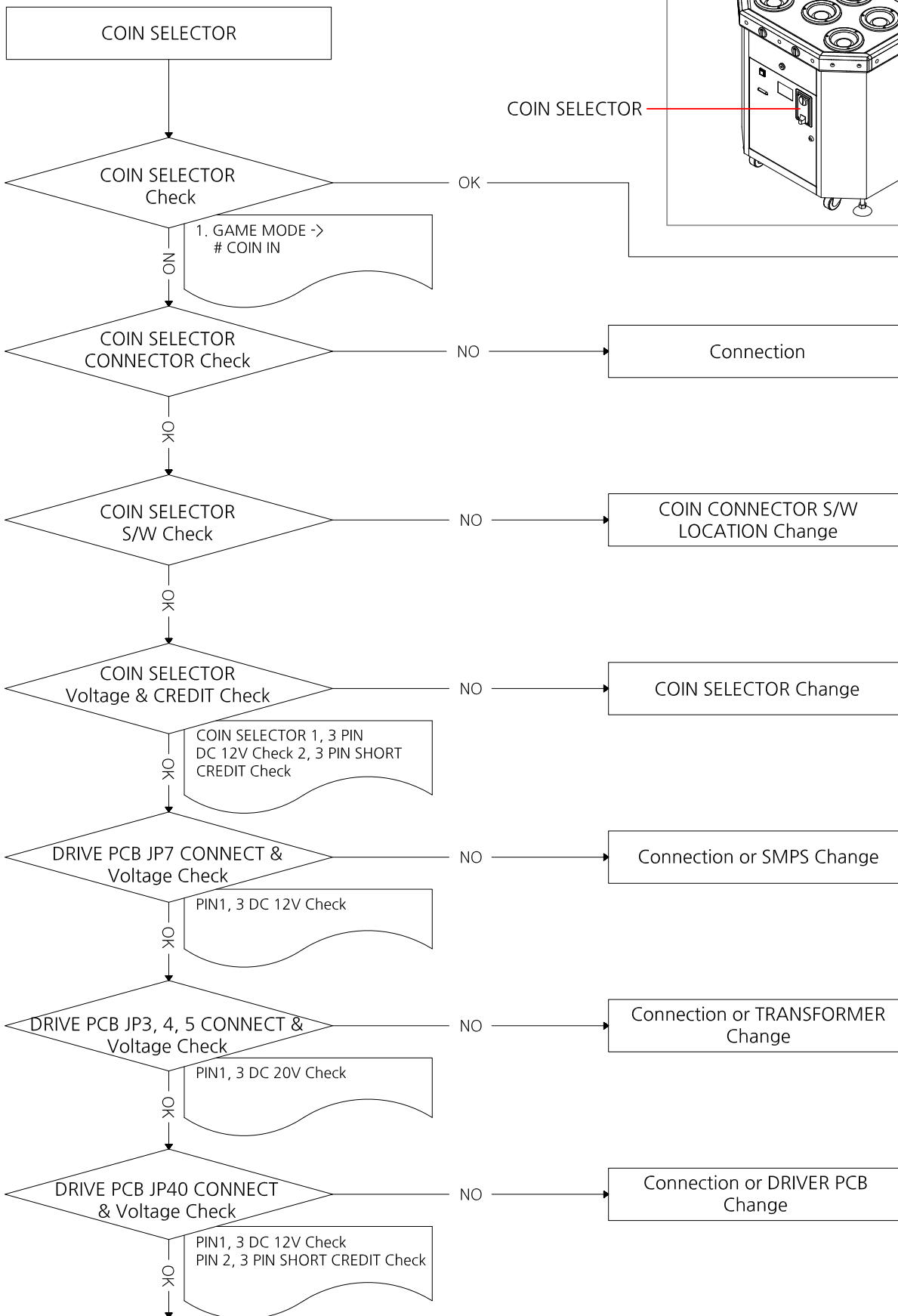
COMBO LED LEFT

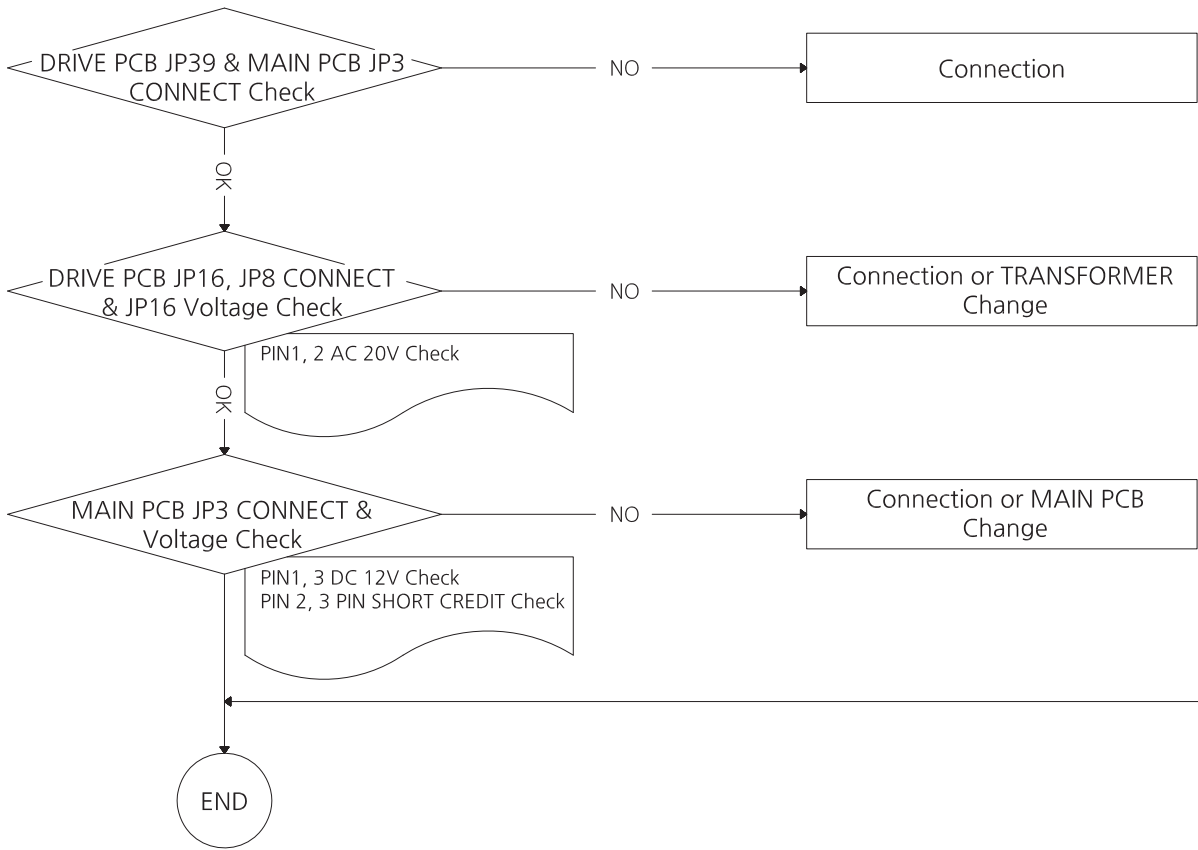


6. COMBO LED RIGHT ERROR

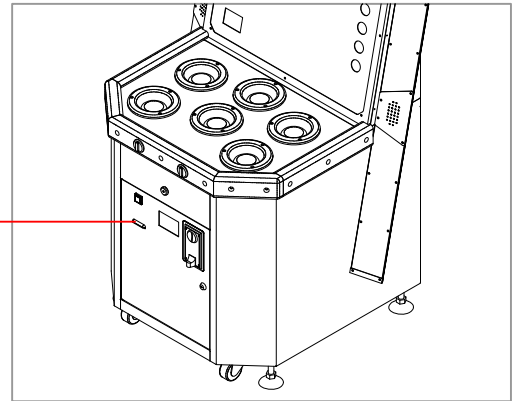
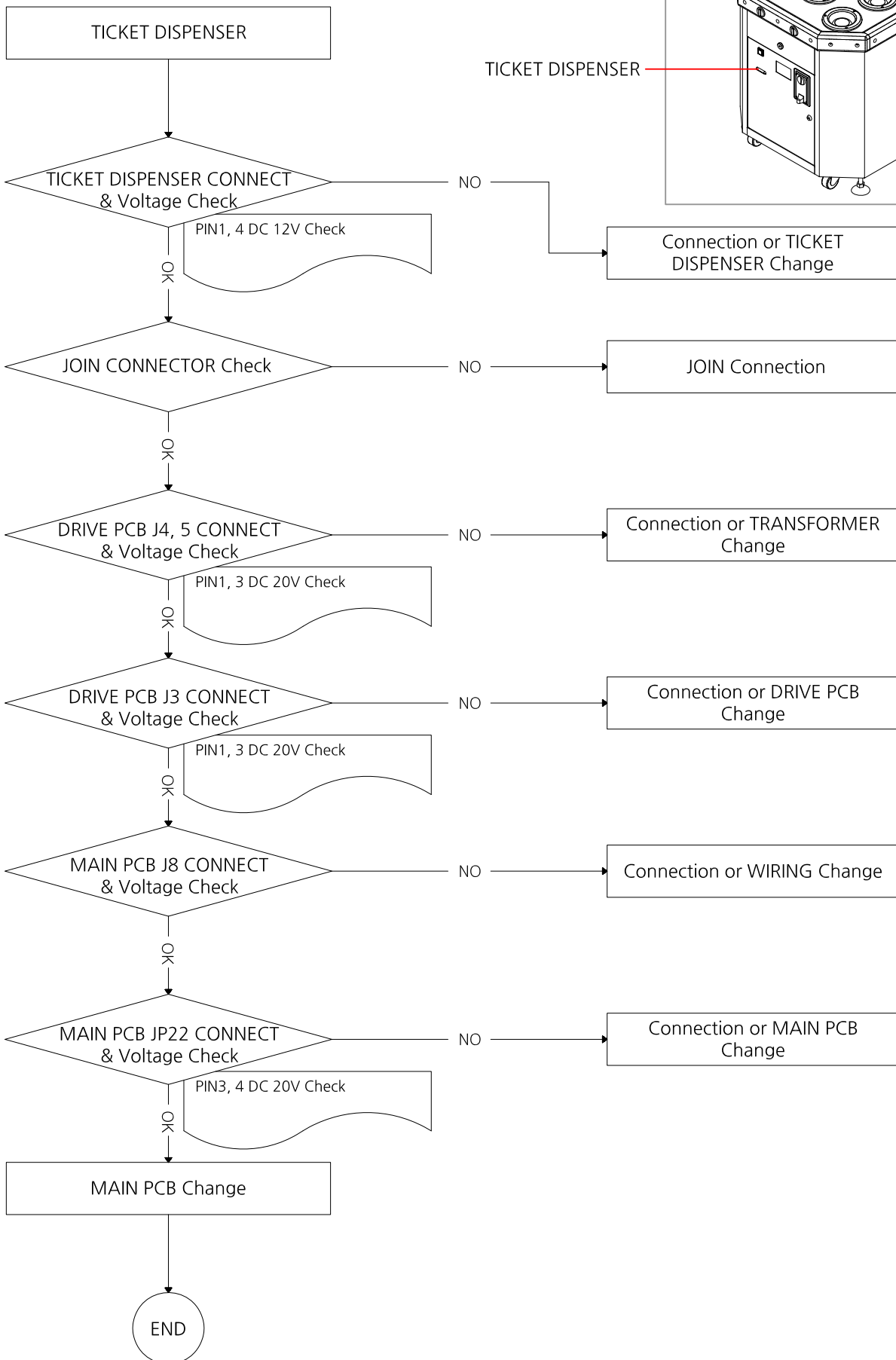


7. COIN SELECTOR ERROR

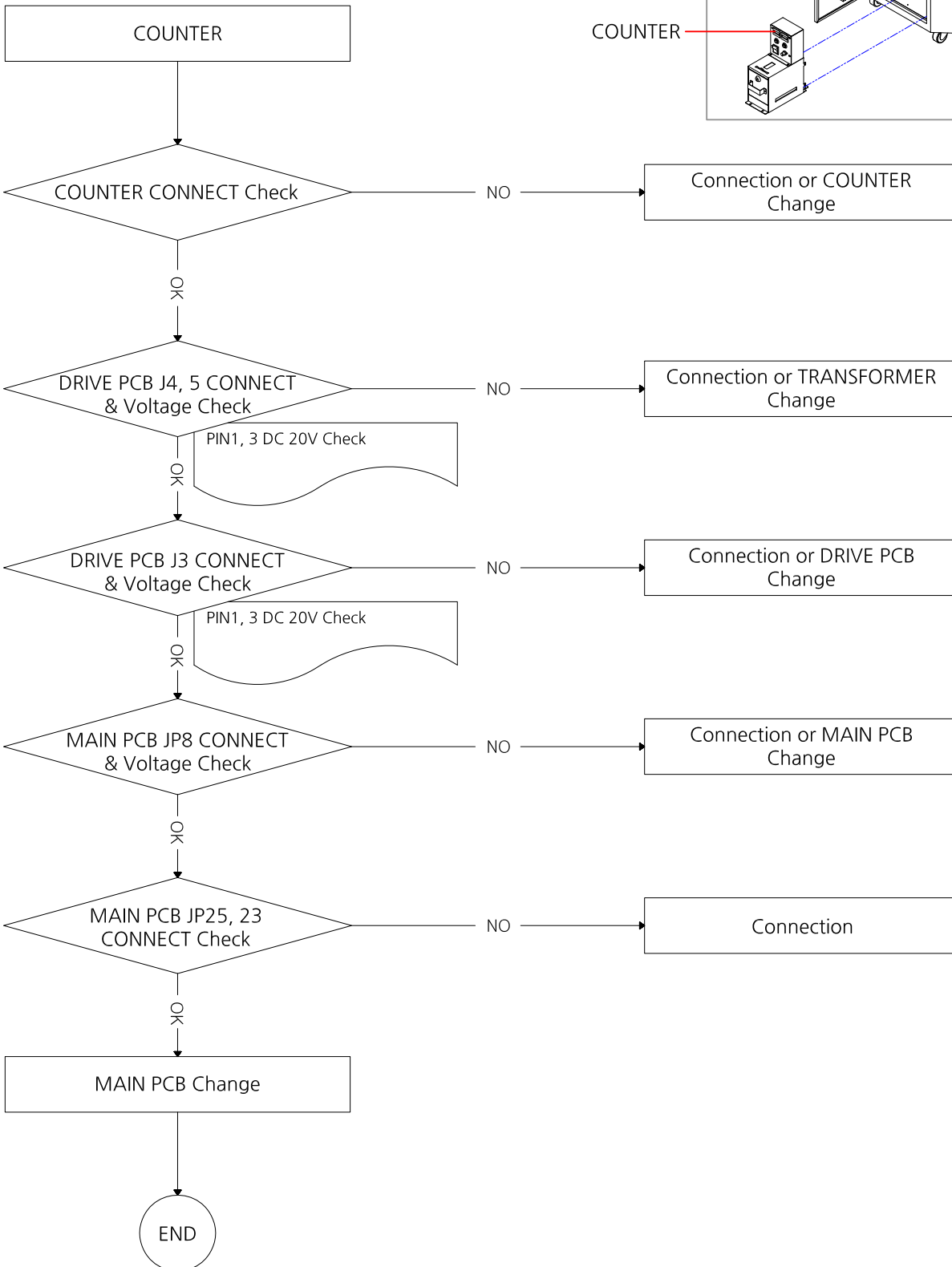
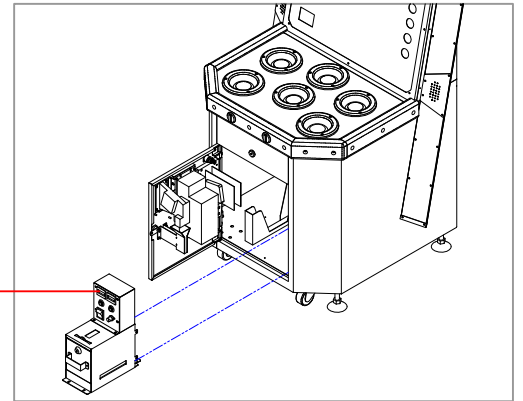




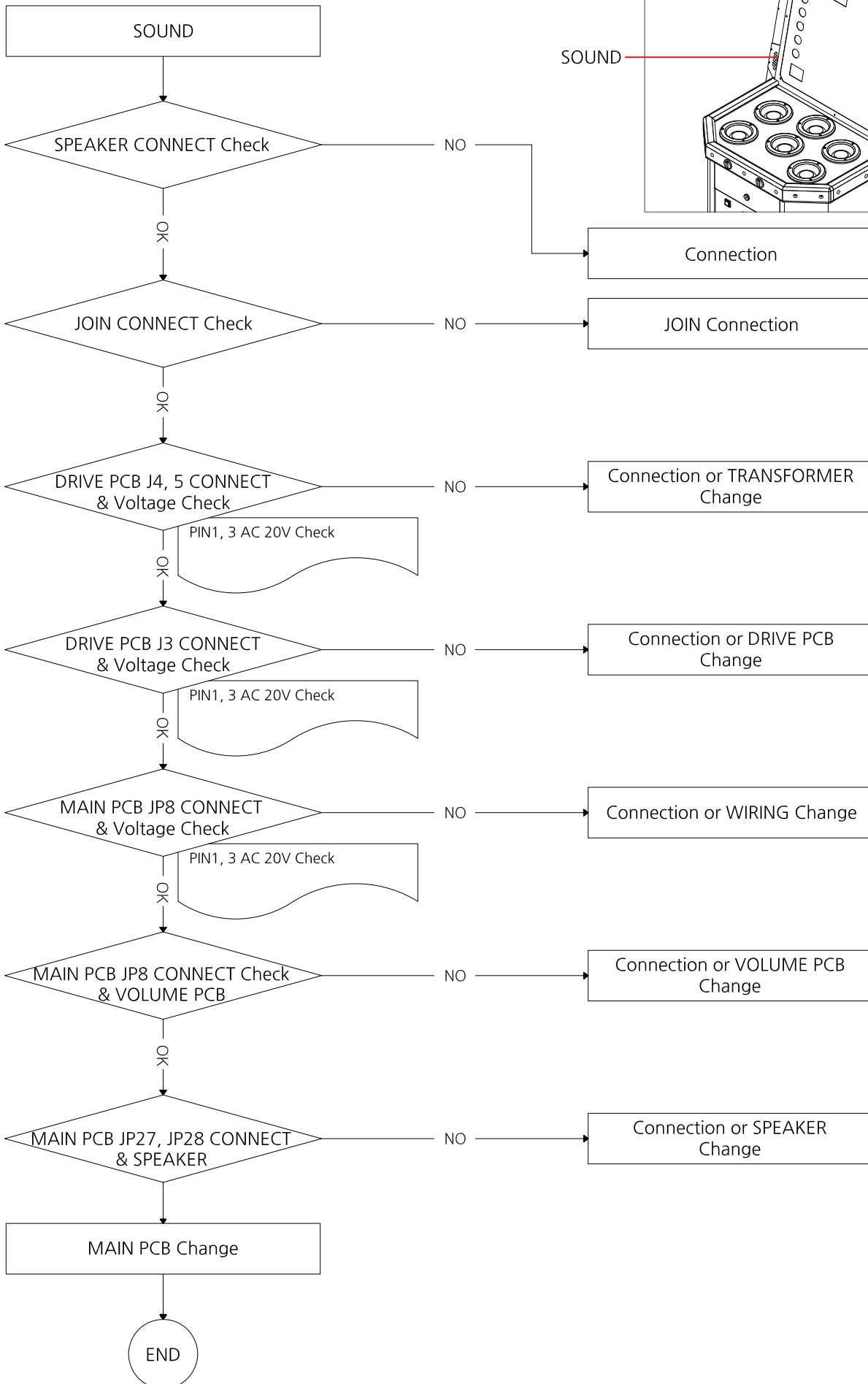
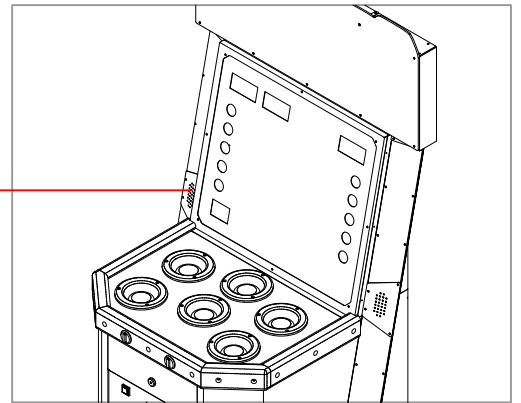
8. TICKET DISPENSER ERROR



9. COUNTER ERROR

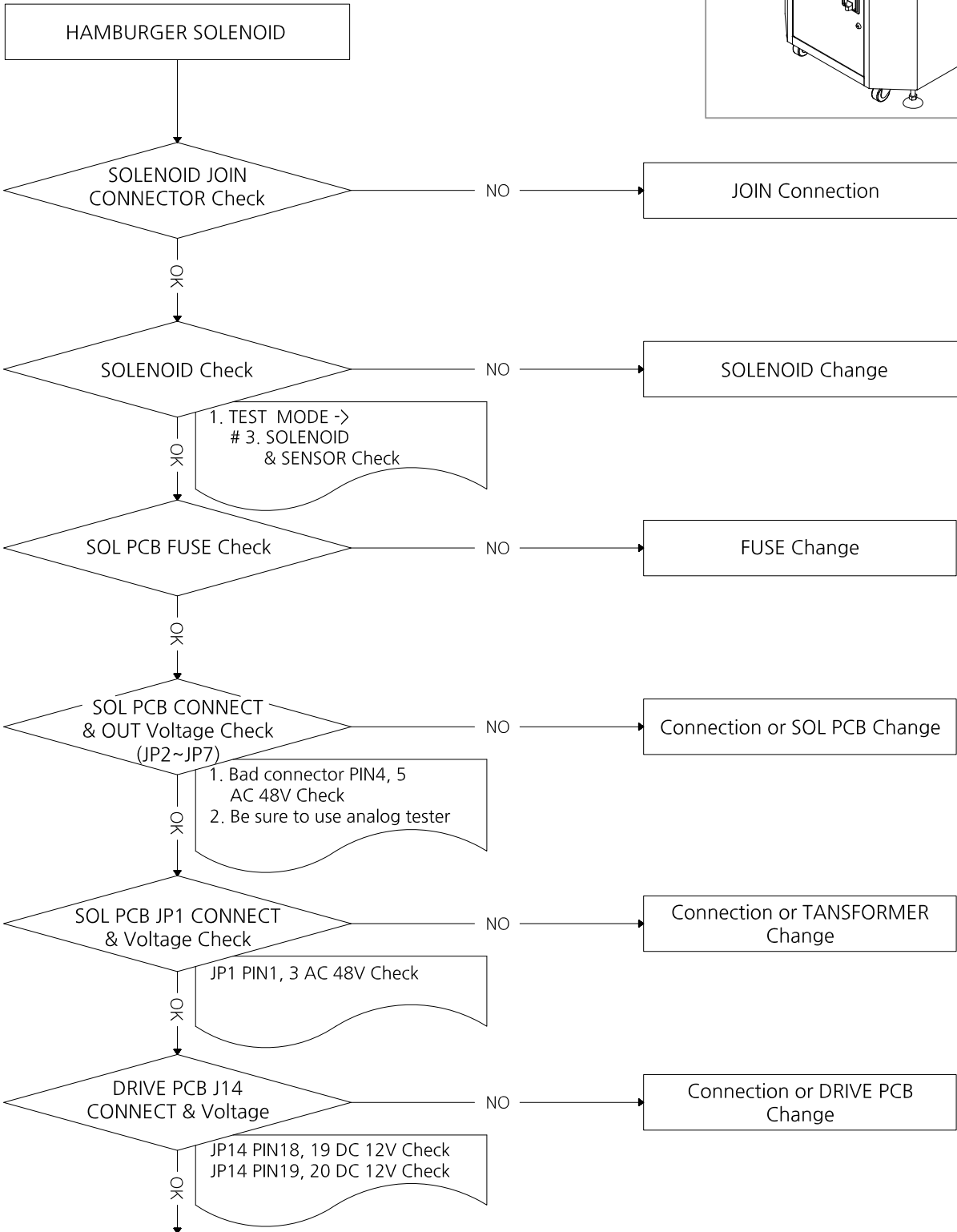
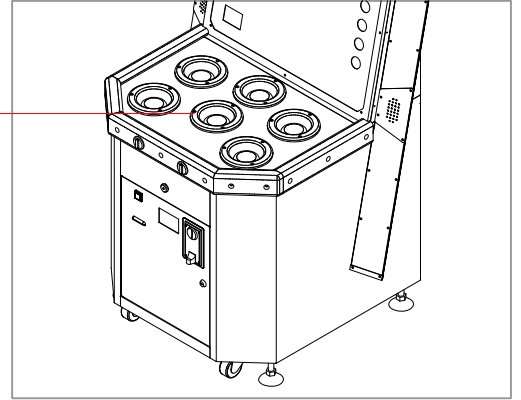


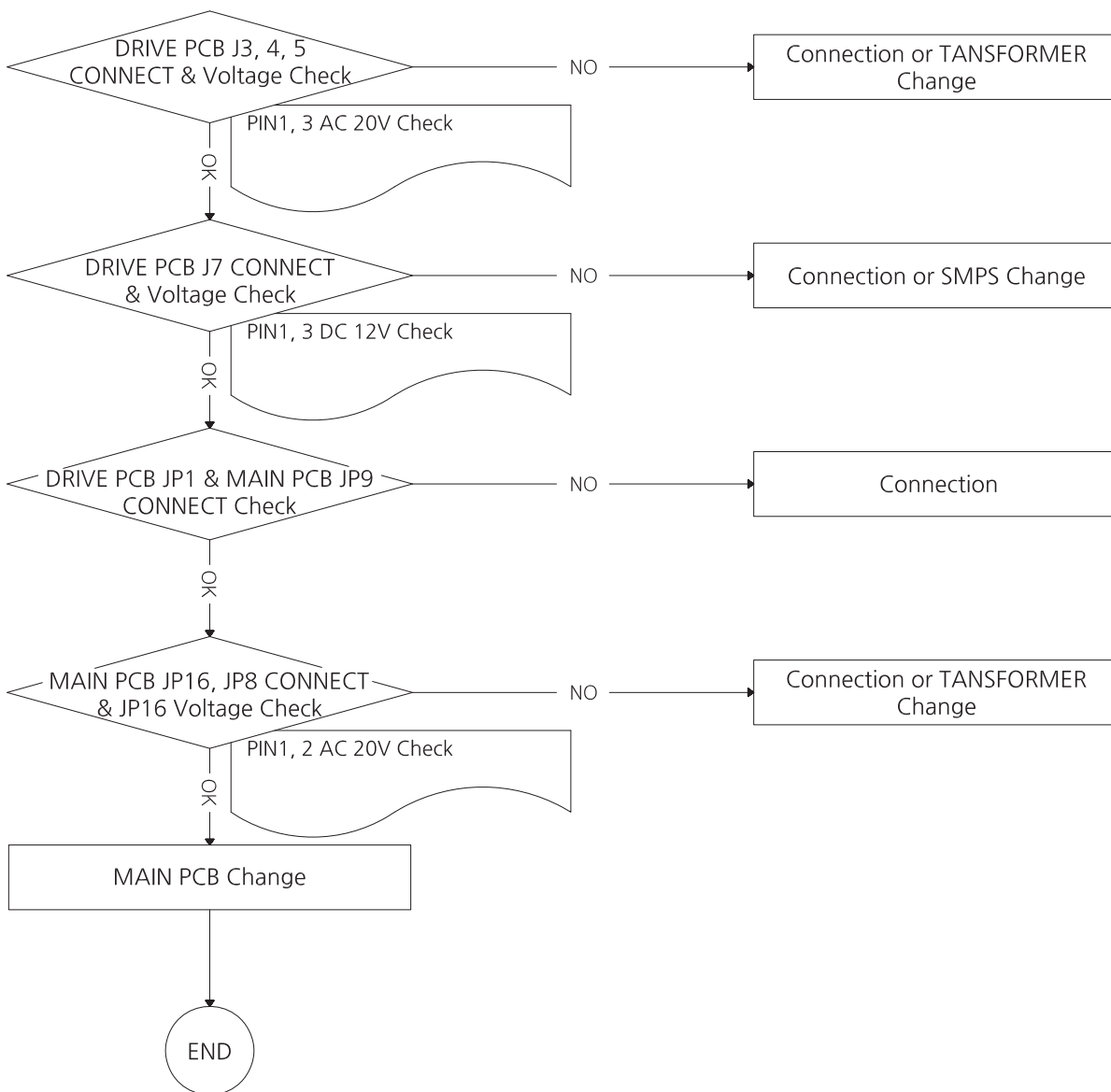
10. SOUND ERROR



11. HAMBURGER SOLENOID ERROR

HAMBURGER SOLENOID





[TEST MODE]

To get into TEST mode, turn on th machine while pushing RESET button for 4~5 seconds.

Whenever RESET button is pushed in the test mode,
the test item is automatically changed. 1st SOUND, 2nd FND, 3rd Hamburger(Solenoid) Ass'y.

Mode	Description
# 1	Sound check : Sound operation automatically check
# 2	FND check : FND(i.e. Flexible Numeric Displays) check for game point, high score, play time and credit
# 3	Solenoid and sensor check - Check that hamburgers come up automatically and operate properly. In the test of Hamburger(Solenoid) Ass'y, 1) sensor test If each FND does not show up number when you hit each Hamburger(Solenoid) Ass'y, the sensor is in trouble. In that case replace with new sensor. 2) Auto test If each FND shows any number when the solenoid ass'y is automatically up and down, the sensor is so sensitive. In that case replace with new sensor.

FND DISPLAY =>



Hamburger(Solenoid) Ass'y =>

