

*** ANDAMIRO WARRANTS the parts from date of shipment as follows.**

- One Year Limited Warranty : Electronic Boards & Monitor

- 6 Month Limited Warranty : Moving Parts

CONTENTS

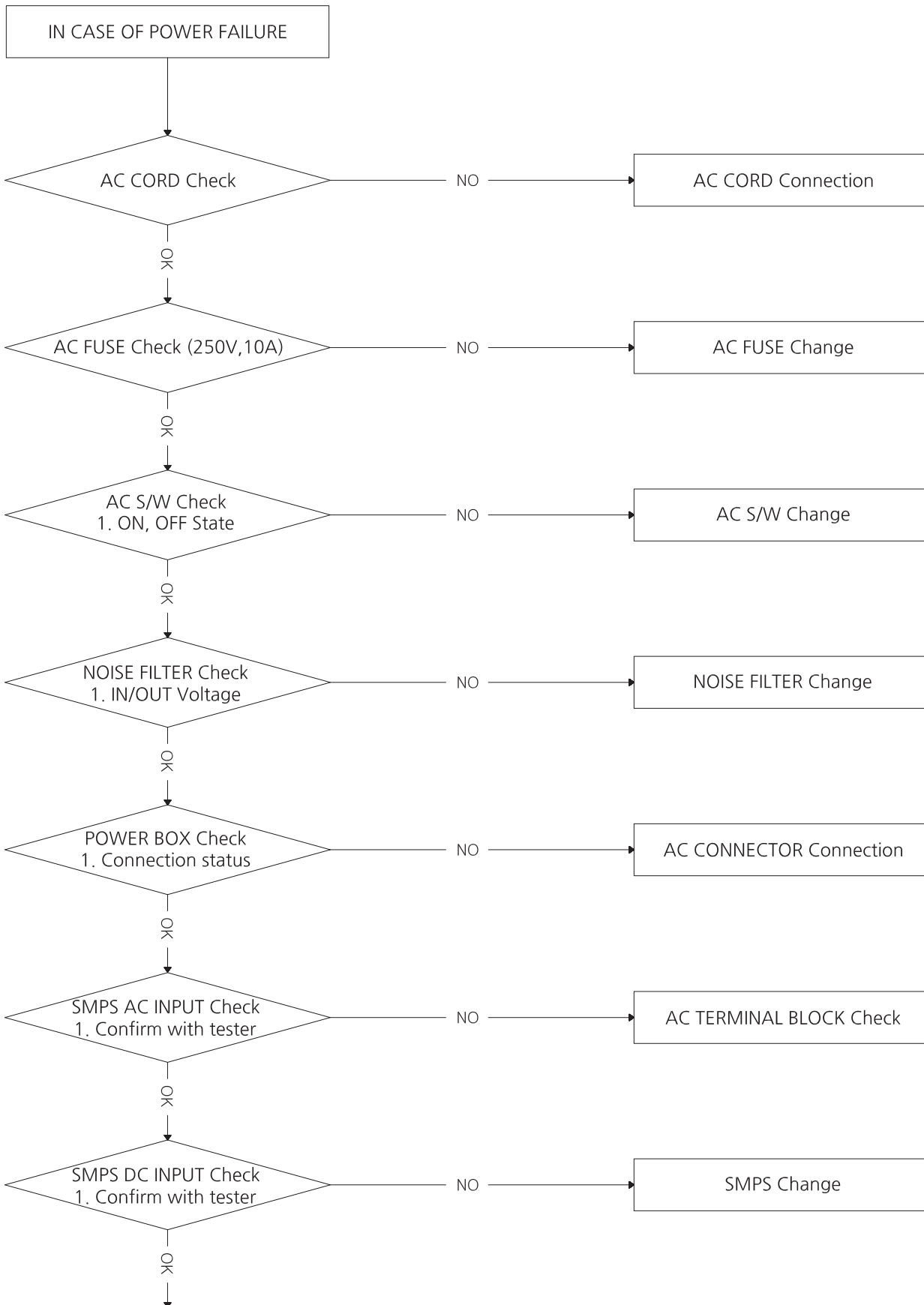
1. ERROR CODEP01
2. TROUBLESHOOTINGP02
3. TEST MODEP16

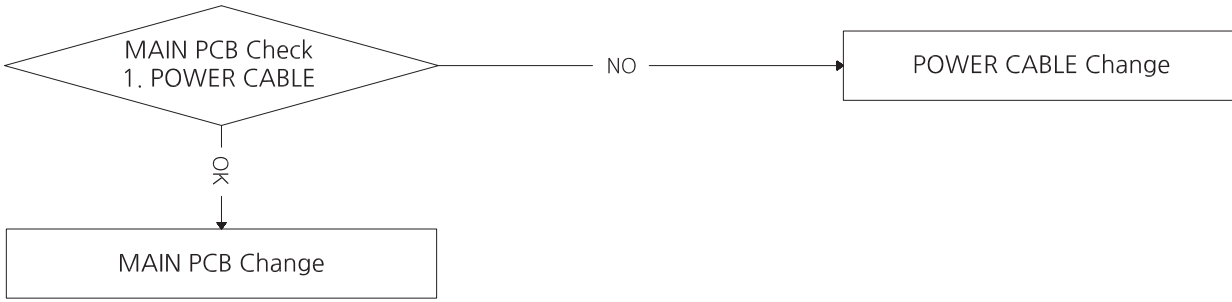
[ERROR CODE]

ERROR CODE (BONUS FND)	CONTENTS	DESCRIPTION	CHECK POINT / TROUBLE SHOOTING
Er-1	SYSTEM	Set Up Storage Data Problem Game Storage Data Problem	* If Power Problem or FACTORY SET Problem occurs Continuously. Change the MAIN BOARD.
Er-2	COIN	Coin Sensor signal was continued	* Check the Coin Selector * Check the sensor of Coin selector Input signal
Er-3	WHEEL MOTOR	Zero Point Encoder signal does not displayed	* Check the operation of motor
Er-4		Divided Point Encoder signal does not displayed	* Check input status of the Encoder Sensor
Er-5	ENCODER	Displays 'Reverse rotation'	* Check input status of the Encoder Sensor
HELP (SCORE FND)	TICKET	No Ticket => Crossing displays 'No. of Un-dispensed ticket' and 'HELP'	* Check Tickets * Check Ticket motor operation * Check sensor of Ticket dispenser

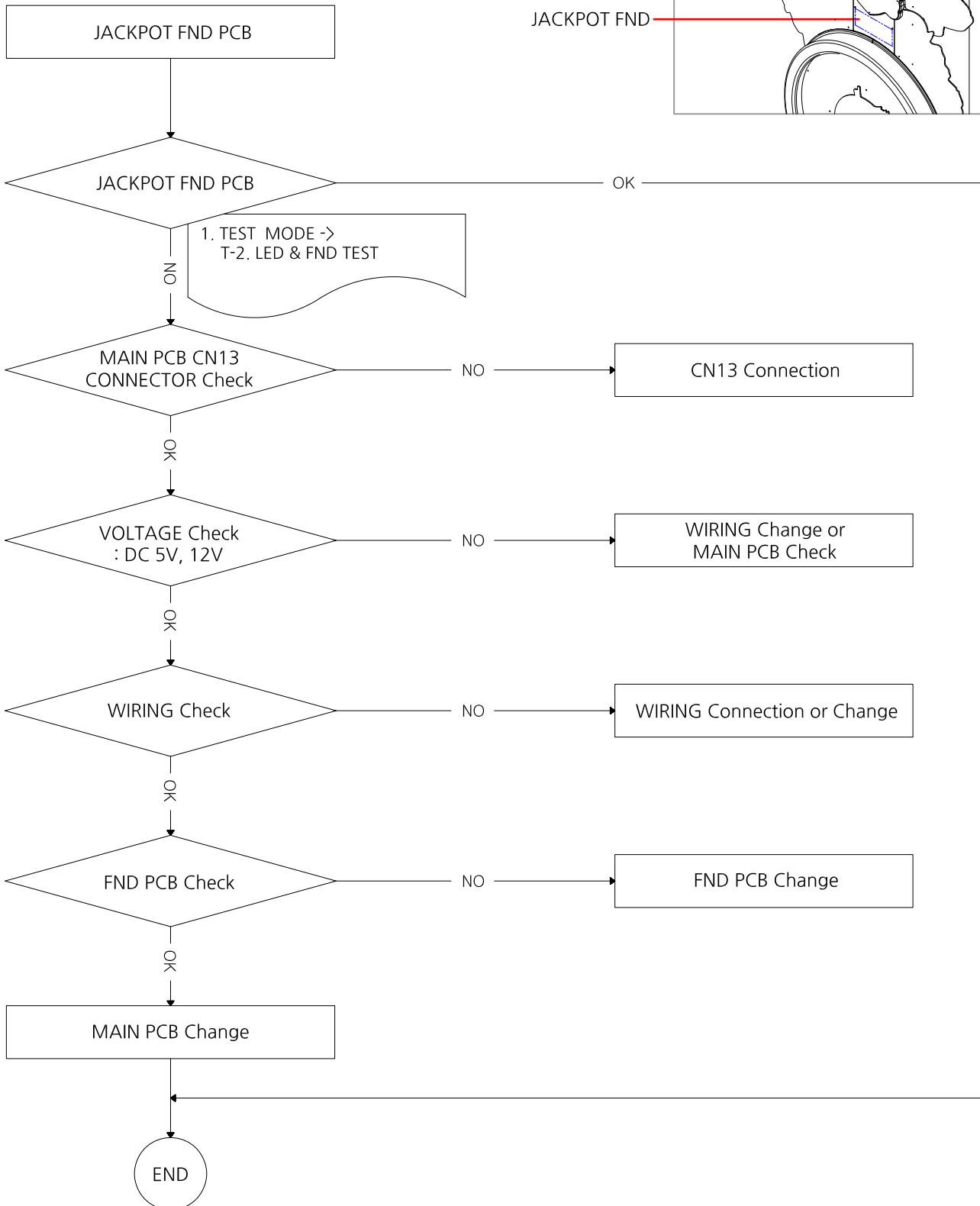
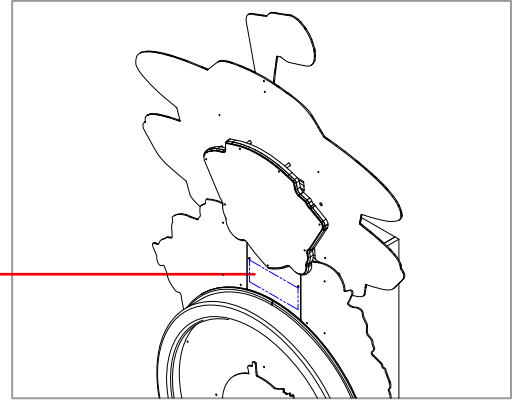
* Error Clear ==> press the Cancel/Service button

1. IN CASE OF POWER FAILURE

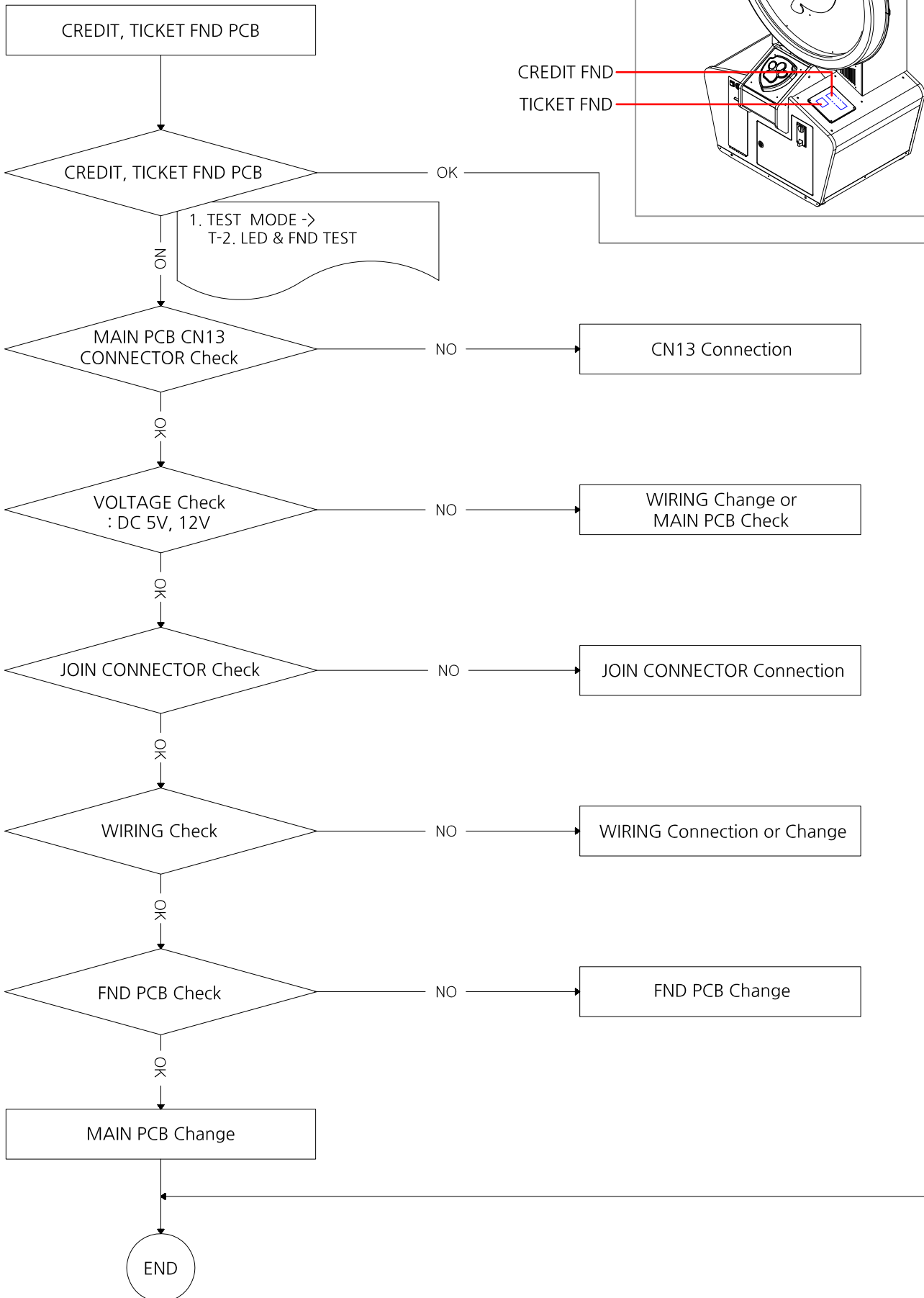




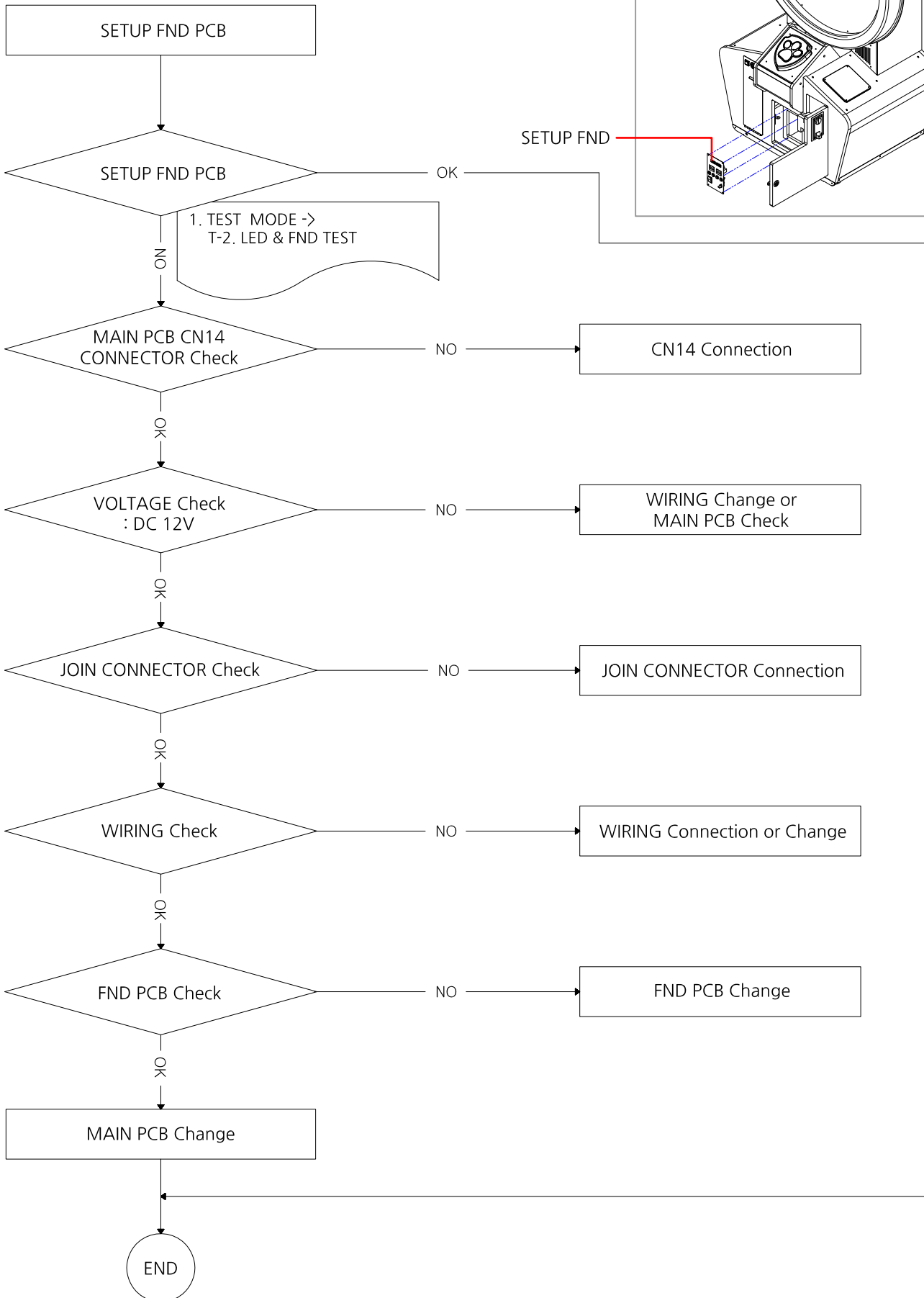
2. JACKPOT FND ERROR



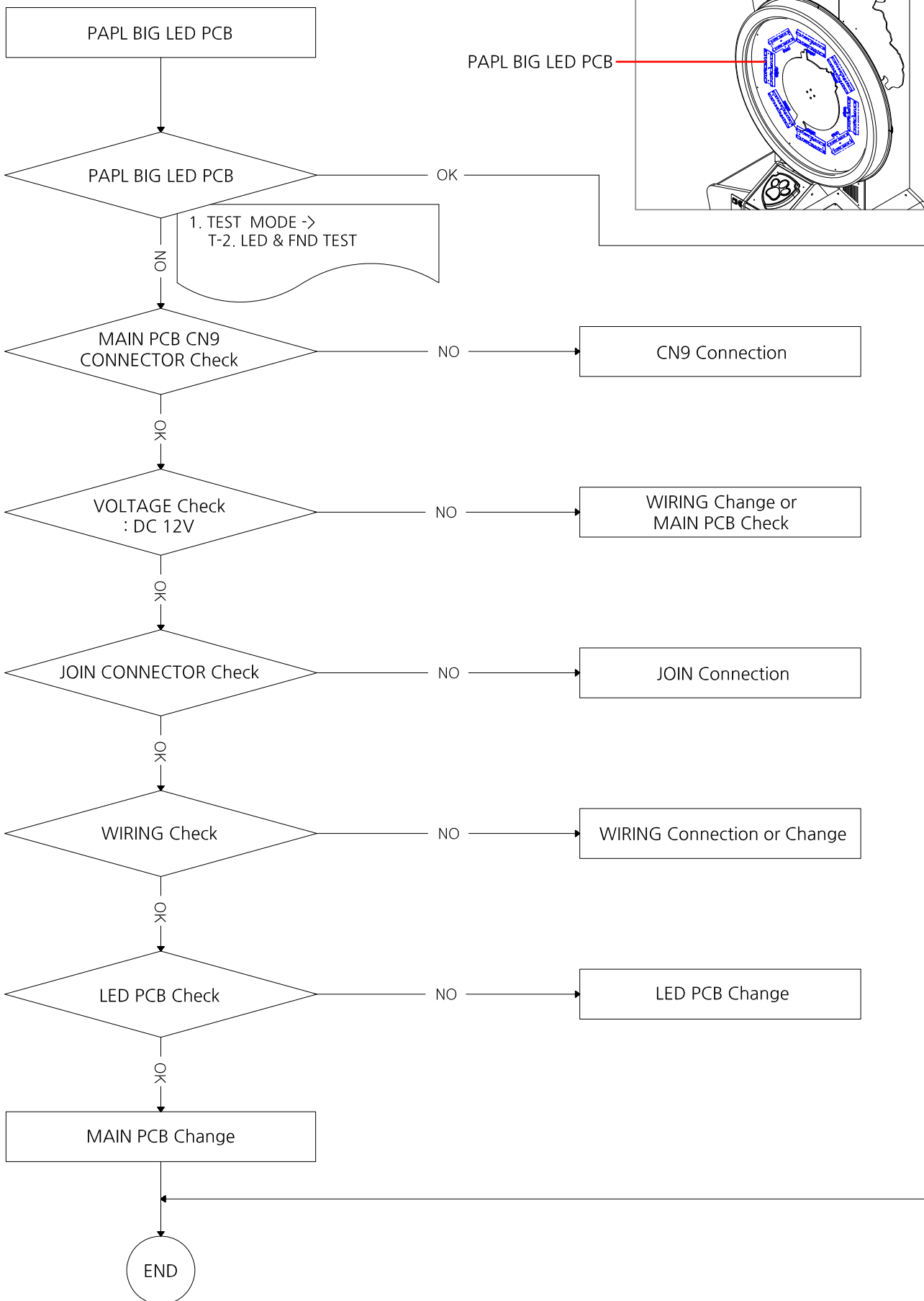
3. CREDIT, TICKET FND PCB ERROR



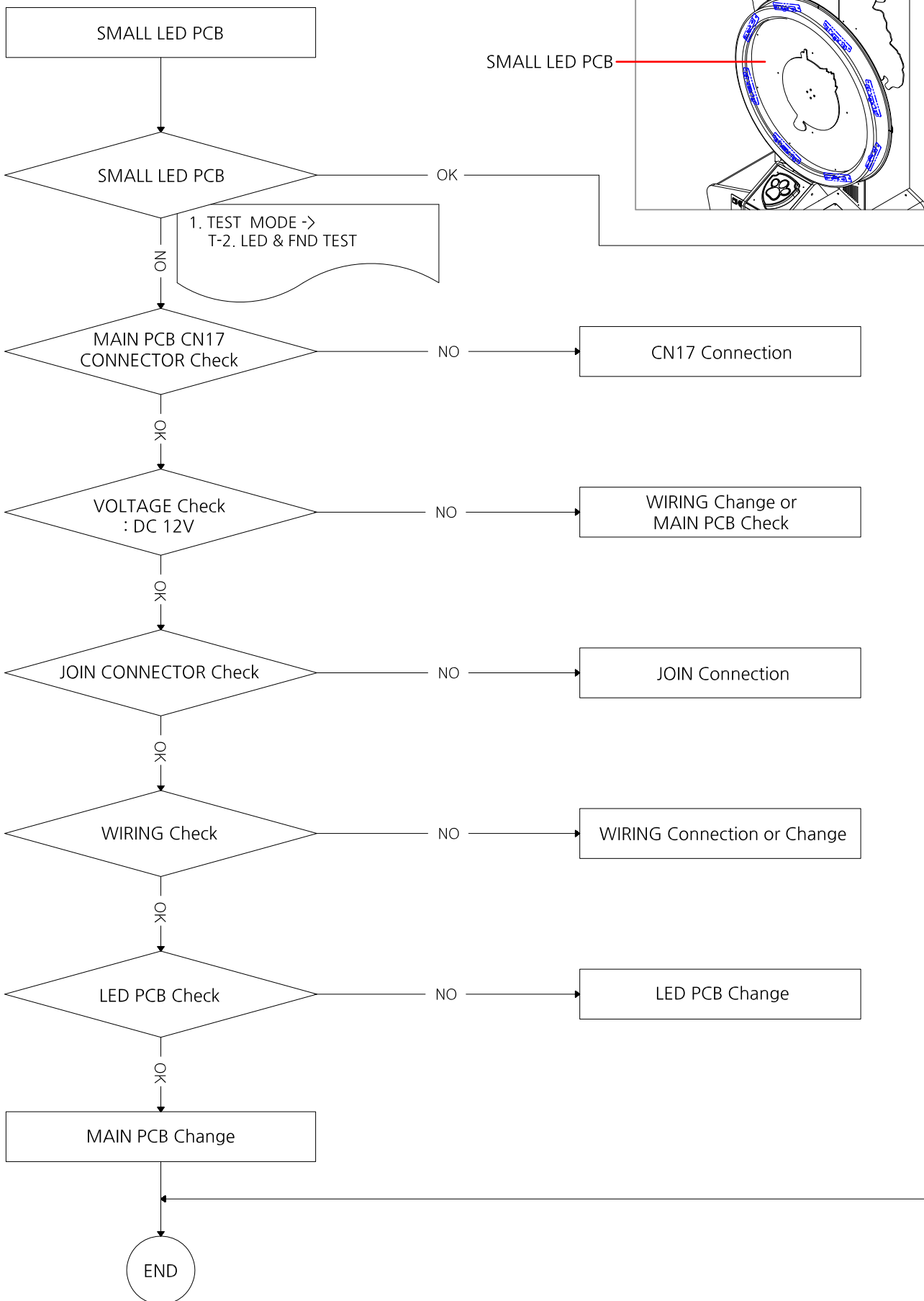
4. SETUP FND PCB ERROR



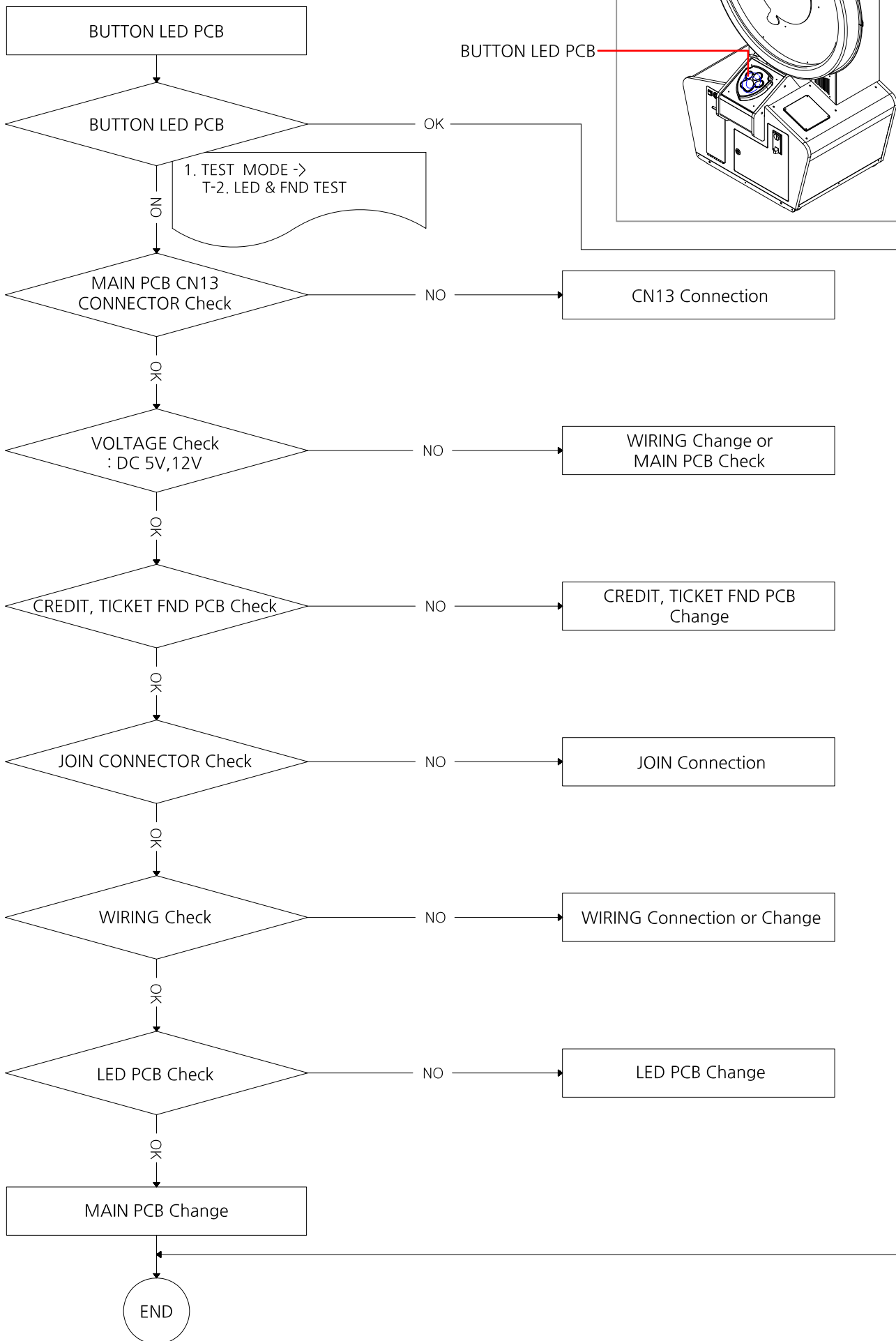
5. PAPL BIG LED PCB ERROR (NO. 1 ~ 8)



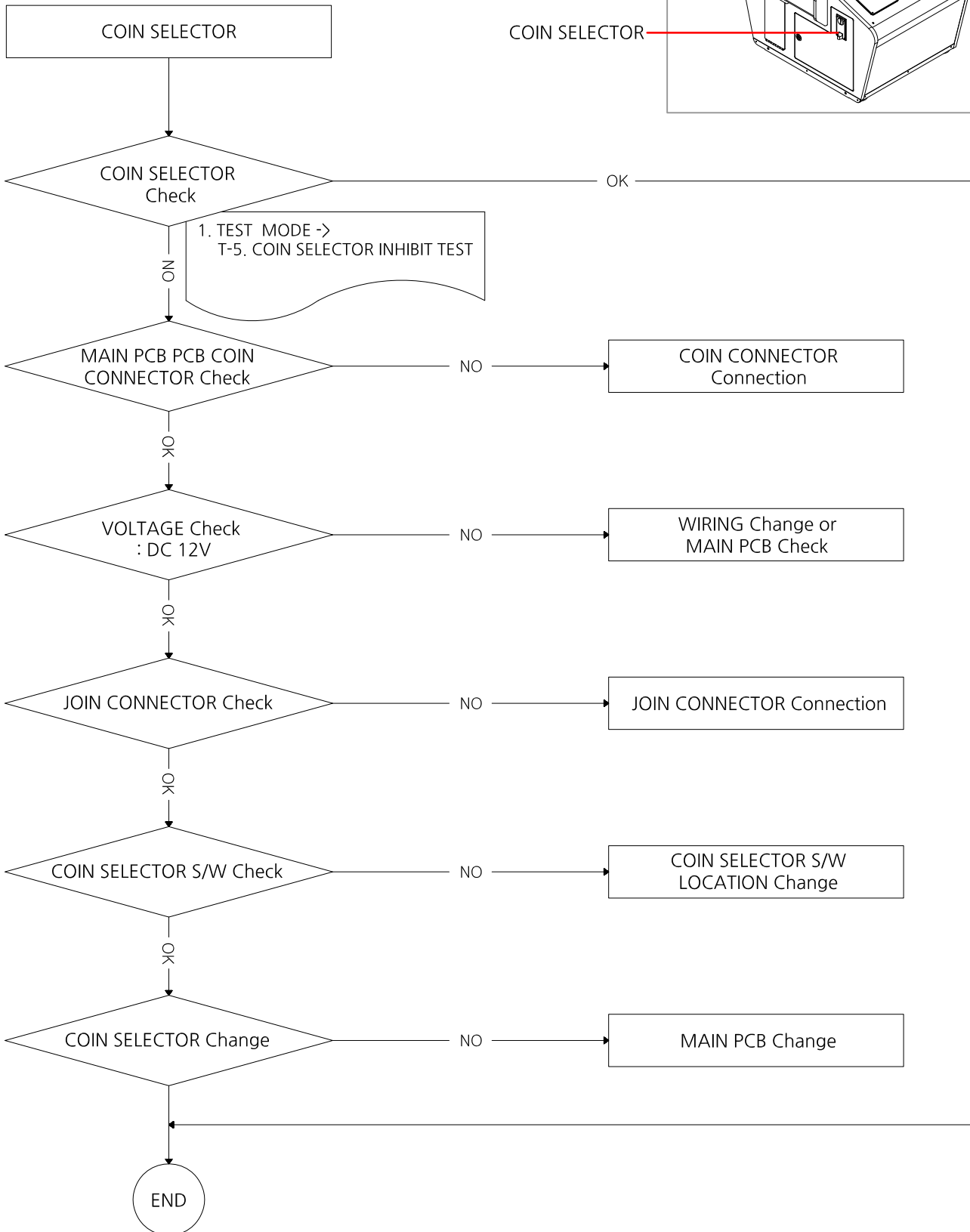
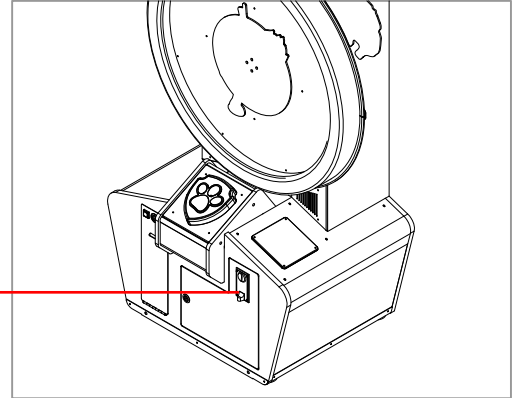
6. SMALL LED PCB ERROR (NO. 1 ~ 8)



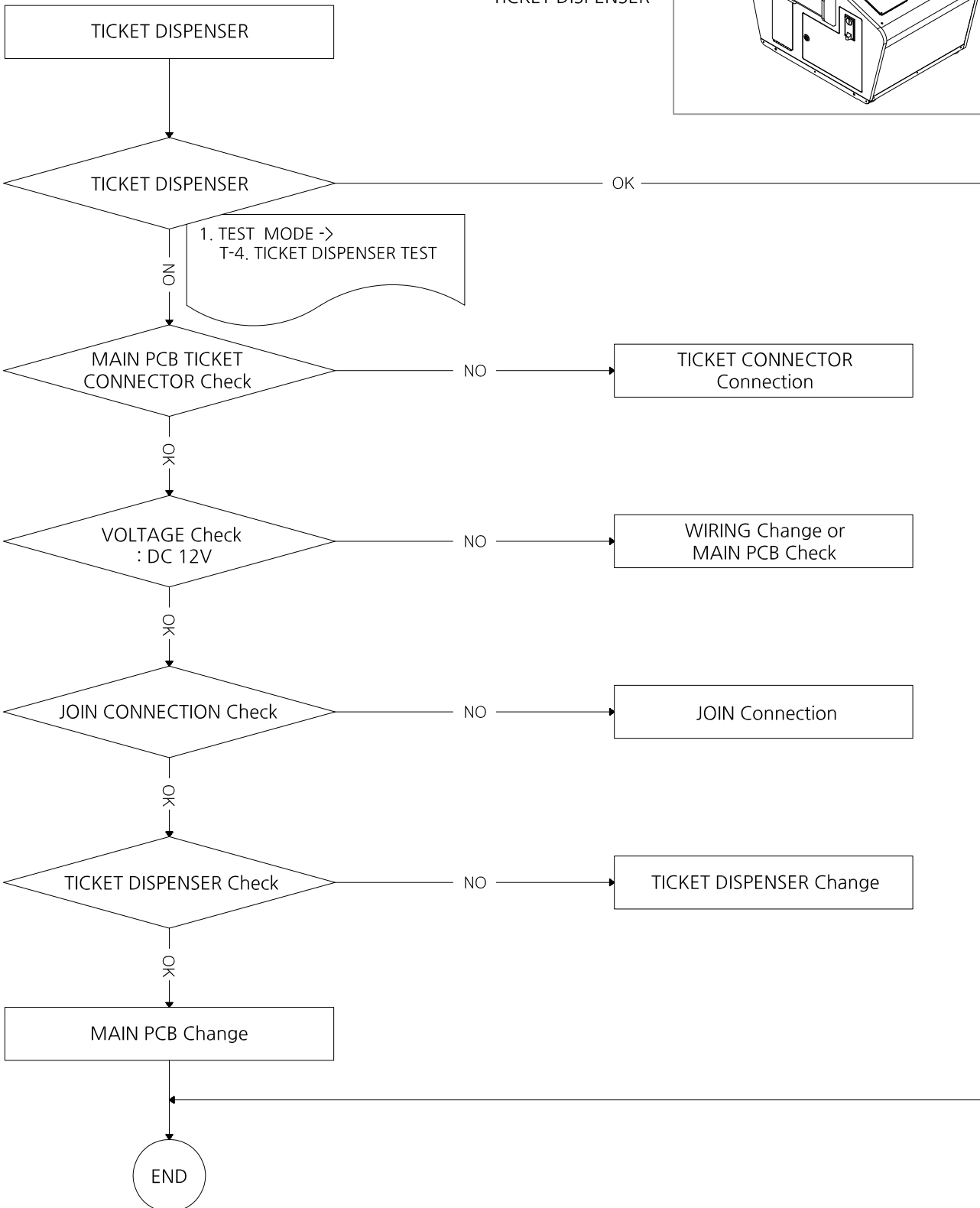
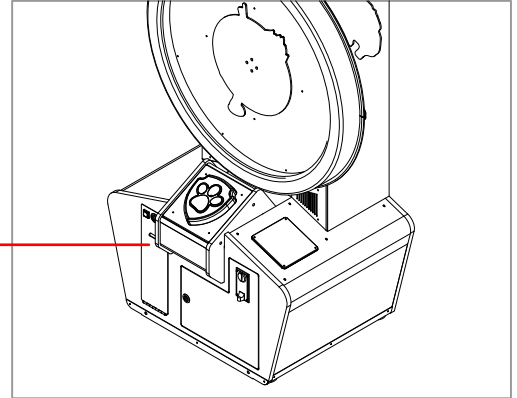
7. BUTTON LED PCB ERROR



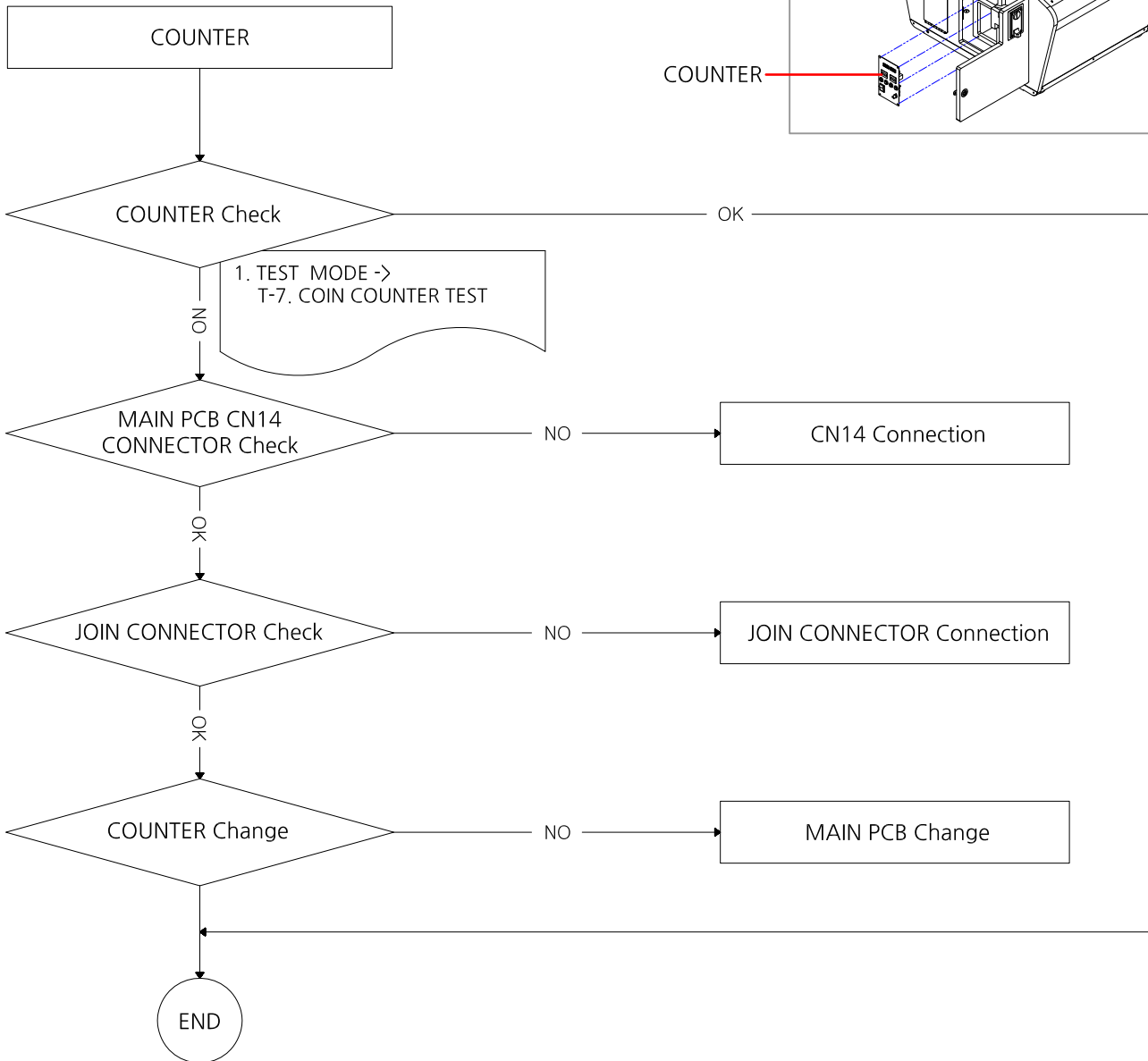
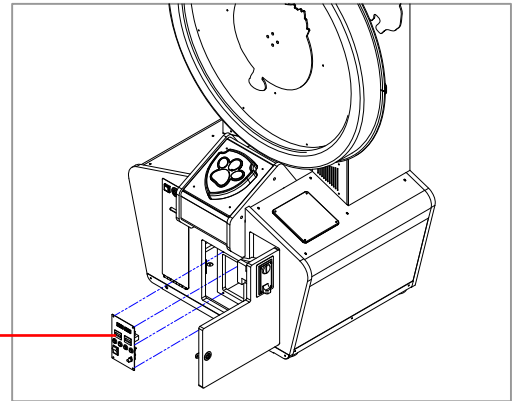
8. COIN SELECTOR ERROR [ERROR-2]



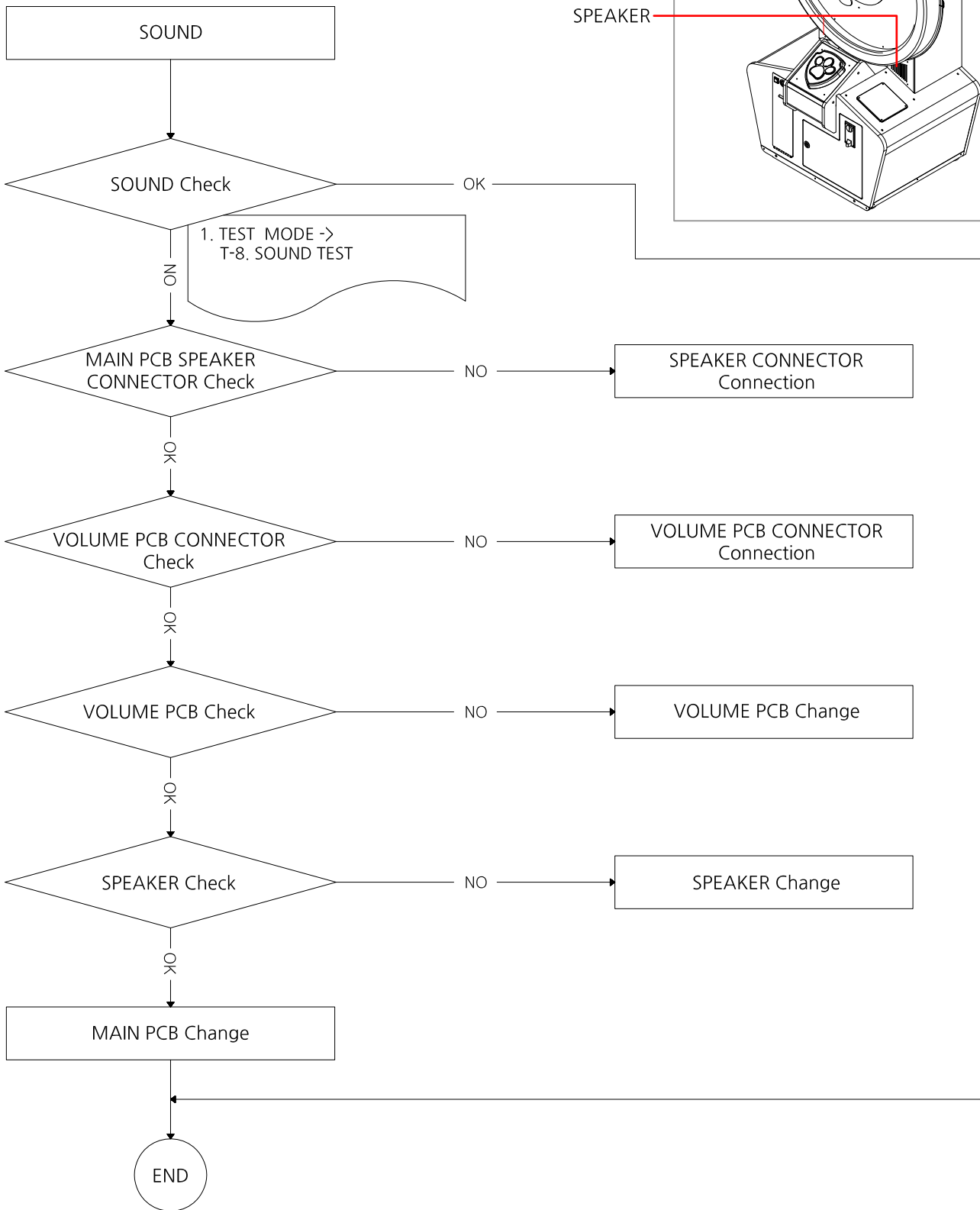
9. TICKET DISPENSER ERROR [ERROR-HELP]



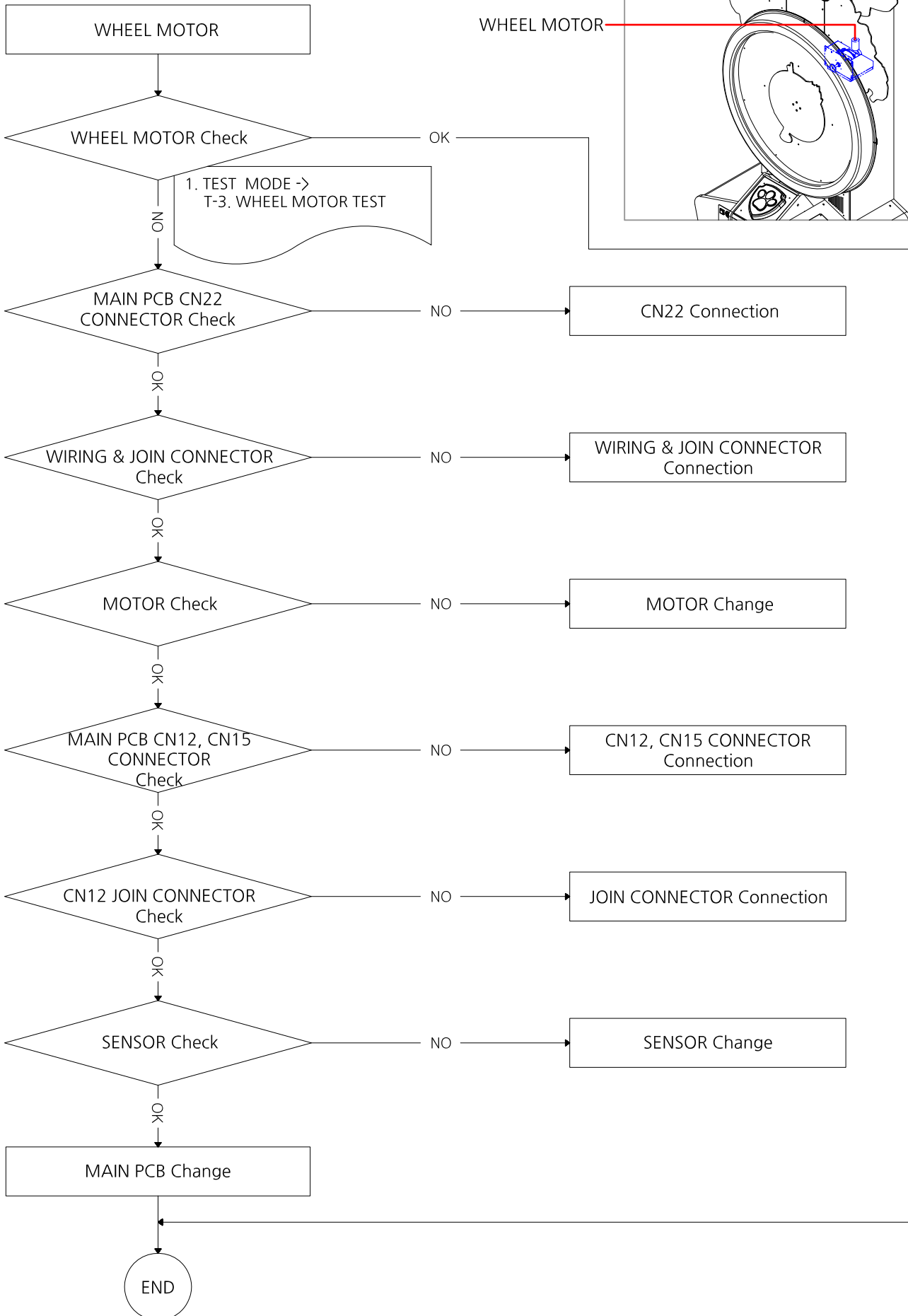
10. COUNTER ERROR



11. SOUND ERROR

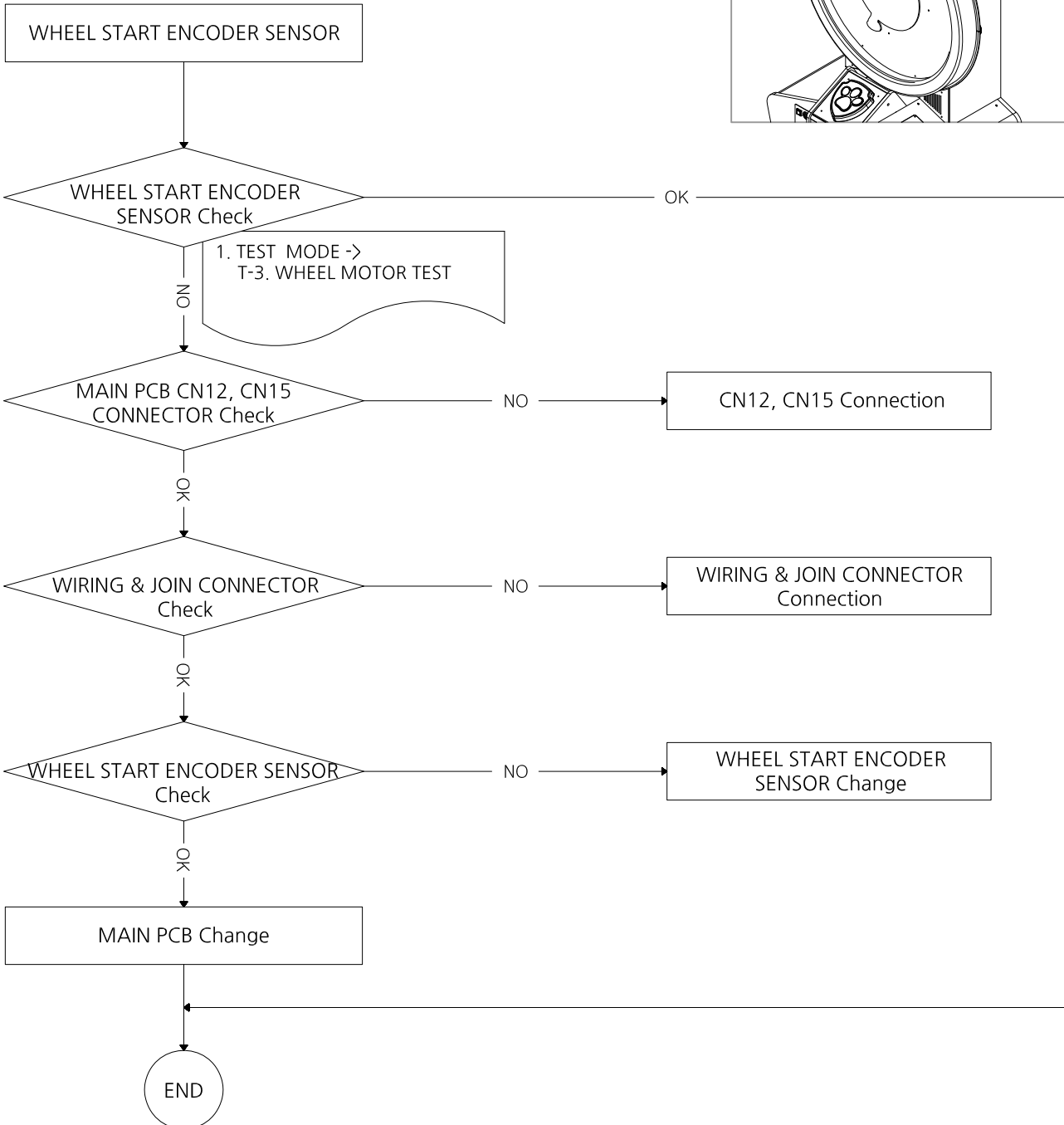
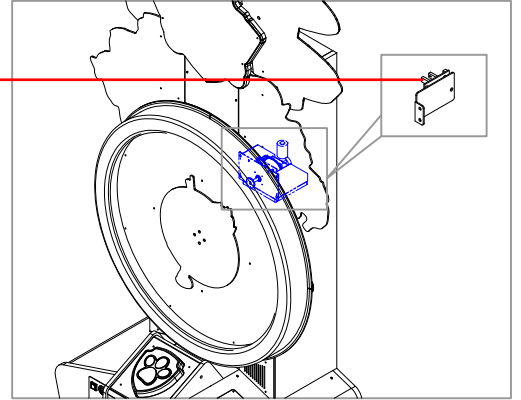


12. WHEEL MOTOR ERROR [ERROR-3, 4]



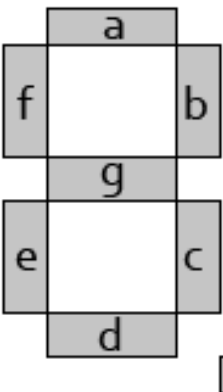
13. WHEEL START ENCODER SENSOR ERROR [ERROR-5]

ENCODER SENSOR



[TEST MODE]

(BONUS FND displays "TEST" & SETUP FND displays MENU items)

SETUP FND Displays		DESCRIPTION	Motion Implement Menu/Select button	REMARK																																							
FND1	FND2																																										
t-1	000	INPUT TEST – Displays input State at the 'SCORE FND	Runs in Menu status																																								
<p>FND2 ←</p> <p>segment</p> 		<table border="1"> <thead> <tr> <th rowspan="2">SEGMENT</th> <th colspan="3">SETUP FND2</th> </tr> <tr> <th>FND2-1</th> <th>FND2-2</th> <th>FND2-3</th> </tr> </thead> <tbody> <tr> <td>a</td> <td>Menu/Select Button</td> <td>DIP SW1</td> <td>Ticket Sensor</td> </tr> <tr> <td>b</td> <td>Down Button</td> <td>DIP SW2</td> <td>Ticket Button</td> </tr> <tr> <td>c</td> <td>Up Button</td> <td>DIP SW3</td> <td>--</td> </tr> <tr> <td>d</td> <td>Cancel/Service Button</td> <td>DIP SW4</td> <td>--</td> </tr> <tr> <td>e</td> <td>Encoder Sensor A</td> <td>DIP SW5</td> <td>--</td> </tr> <tr> <td>f</td> <td>Encoder Sensor B</td> <td>DIP SW6</td> <td>--</td> </tr> <tr> <td>g</td> <td>--</td> <td>DIP SW7</td> <td>Coin Sensor</td> </tr> <tr> <td>h</td> <td>Game Button</td> <td>DIP SW8</td> <td>Encoder zero point sensor</td> </tr> </tbody> </table> <p>* When an input is detected, the corresponding segment is turned on.</p>	SEGMENT	SETUP FND2			FND2-1	FND2-2	FND2-3	a	Menu/Select Button	DIP SW1	Ticket Sensor	b	Down Button	DIP SW2	Ticket Button	c	Up Button	DIP SW3	--	d	Cancel/Service Button	DIP SW4	--	e	Encoder Sensor A	DIP SW5	--	f	Encoder Sensor B	DIP SW6	--	g	--	DIP SW7	Coin Sensor	h	Game Button	DIP SW8	Encoder zero point sensor		
SEGMENT	SETUP FND2																																										
	FND2-1	FND2-2	FND2-3																																								
a	Menu/Select Button	DIP SW1	Ticket Sensor																																								
b	Down Button	DIP SW2	Ticket Button																																								
c	Up Button	DIP SW3	--																																								
d	Cancel/Service Button	DIP SW4	--																																								
e	Encoder Sensor A	DIP SW5	--																																								
f	Encoder Sensor B	DIP SW6	--																																								
g	--	DIP SW7	Coin Sensor																																								
h	Game Button	DIP SW8	Encoder zero point sensor																																								
t-2	OFF	LED & FND TEST LED Blink repeatedly / All LED - ON / FND 0~9 Sequential display Press the Down , Up button to Sequential regeneration.																																									
t-3	OFF	WHEEL MOTOR TEST - Press the Down , Up button to adjust speed of the WHEEL (Down : Decrease , Up : Increase) - Displays current speed (Level1, 2, 3) at the SCORE FND																																									
t-4	OFF	TICKET DISPENSER TEST When running the machine, it dispenses 3 tickets, then automatically stop.	ON > OFF																																								
t-5	OFF	COIN SELECTOR INHIBIT TEST When running the machine, Power of Coin is automatically OFF.	ON / OFF																																								
t-6	OFF	TICKET COUNTER TEST When running the machine, operate once then automatically stop	ON > OFF																																								

t-7	OFF	COIN COUNTER TEST When running the machine, operate once then automatically stop	ON > OFF	
t-8	OFF	SOUND TEST Press the Down, Up button to Sequential regeneration. Press the Menu/Select button to stop		
OUT	OUT	EXIT		