

**\* ANDAMIRO WARRANTS the parts from date of shipment as follows.**

- One Year Limited Warranty : Electronic Boards**
- 6 Month Limited Warranty : Moving Parts**

## **CONTENTS**

|                    |          |
|--------------------|----------|
| 1. ERROR CODE      | .....P02 |
| 2. TEST MODE       | .....P03 |
| 3. TROUBLESHOOTING | .....P07 |
| 4. PART LIST       | .....P34 |

# [ 1. ERROR CODE ]

| ERROR CODE | TICKETS FND DISPLAY | ERROR TYPE          | NOTE   | CHECK LIST  |
|------------|---------------------|---------------------|--|---|
| E0-1       |                     | SETUP LCD           | No Response of SETUP LCD                                       | Check SETUP LCD<br>(Game will be played normally)   |
| E0-2       |                     | SYSTEM              | Failure of Reading and Writing the Memory of SETUP saved data. | Replace MainBoard if problem continues to happen when turning on/off the power.                               |
| E0-3       |                     |                     | Saved SETUP data problem.                                      | Enter into SETUP Mode and check the setting and save it.<br>Replace MainBoard if problem continues to happen. |
| E0-4       |                     |                     | Failure of Reading and Writing the Memory of SETUP saved data. | Replace MainBoard if problem continues to happen when turning on/off the power.                               |
| E1-1       |                     | Coin Selector       | Coin 1 sensor signal continues.                                | 1. Check Coin Selector 1(Coin Switch)<br>2. Check DIP Switch N/O Setting.                                     |
| E3-1       |                     | Goal Keeper         | Malfunctioning of Left Limit Switch.                           | 1. Check Functioning of switch  |
| E3-2       |                     |                     | Malfunctioning of Right Limit Switch.                          | 1. Check functioning of switch.   |
| E3-3       |                     |                     | Malfunction of Motor   | 1. Check functioning of StepMotor<br>2. Check functioning of Left/Right Limit Switch.                         |
| E6-1       |                     | Ball Elevator       | No Encoder Signal Change.                                      | 1. Check functioning of Motor.<br>2. Check status of Encoder Sensor.  |
| E6-2       |                     |                     | Ball Releasing Problem.  | 1. Check existence of ball.<br>2. Check ball releasing sensor.  |
| E6-3       |                     |                     | Non-existence of Ball.   | 1. Check existence of ball<br>2. Check if there is anycongested area.   |
| E8-1       |                     | Goal Post IR Sensor | Continuous Error of Goal Post Signal.                          | Check Goal Post Sensor.   |
| E8-2       |                     |                     | No Signal of Goal Post   | Check GoaPost Sensor.   |
| E8-3       |                     |                     | Generating signals during                                      | 1. Check foreign material of goal post.<br>2. Check Sensor defect.  |
| Et-1       |                     | Ticket Error        | Non-Existence of Ticket or Non-movement of Ticket Motor.       | Check Existence of Ticket or Functioning of Ticket Dispenser.   |
| Et-2       |                     |                     | Tickets jamming or Act in reverse way of Ticket Sensor Signal. | 1. Check if tickets are jammed.<br>2. Check status of Ticket Dispenser DIP switch sensor.                     |

\* Games can be played against E0 - 1, Et - 1, Et - 2 errors but other errors make it impossible to play games.

## [ 2. TEST MODE ]

| TEST MODE    |            |   |
|--------------|------------|---|
| LCD DISPLAY  | SET VALUE  | DESCRIPTIONS  |
| 1.INPUT TEST | Basic Test | The basic status of switch can be checked at a status in which the cursor is on Input test items instead of entering into serve menu.<br>Output Contents per each switch.<br>Start button : Zero.<br>Service button : One.<br>Ticket button : Two.<br>Keeper left switch : Three.<br>Keeper right switch : Four.<br>Elevator ball switch : Five.<br>Goal gate IR sensor : One goal.<br>Goal gate hole switch : Two goal.  |
|              | [=>]       | Enter into confirming mode of input state.(Refer to separate input test items)  |
| 2. GOAL GATE | [=>]       | Only when pressing SELECT Button it is possible to enter into Confirmation Mode of Sensor Status.   |
|              |            | Time FND Display : Display of Test Count(1~30), "---"is Standby Status.<br>Goals FND Display : PS Without Check Observation CK With Check Observation.<br>Ticket FND, Big Win FND Display : Display of perceived beat value of sensor.<br>In case all is sensed, Big Win FND shows FFFF and Ticket FND shows FFFc.<br>"0~,15~," at Set Up LCD displays the "Check Status" of each sensor.<br>Display of status from 0 to 29 at upper part of goal post: if checked, it shows "V".<br>When Check is 30, it means "All Checked"<br>Sensor Version is shown as SV at the bottom of Set Up LCD right side.<br>When pressing the SELECT Button, Check Value will be initialized.<br>When getting out due to long test hour, press CANCEL Button for a long time. |

|   |   |  |  |
|---|---|--|--|
| 3. FND & LAMP   | LAMP, FND, LED Operation Test.  |  |  |
|   | “OFF”   | Turn off all Lamp, FND and LED.  |  |
|   | “STEP”  | LAMP   | Flickering On/Off at all Lamps in following sequence<br>Ticket Lamp ▶ Button Lamp ▶ BIGWIN Lamp ▶ Spot Left Lamp ▶ Spot Right Lamp ▶ Goal Gate Lamp<br>(Proceeding in sequence from the bottom to upper direction)   |
|   |   | FND  | Flickering On/Off at all FNDs repeating in following sequence ->Count the number 1111 ~ 9999 ->Credit<br>FND: 00 / Score 5 FND 111 / Score 4 FND 222 / Score 3<br>FND 333 / Score 2 FND 444 / Score 1 FND 555 / Goals<br>FND 66 / Times FND 777 / Tickets FND 8888 / BIG WIN<br>FND 9999 |
|   |   | WS2813   | The color of All LED changes in sequence of Red, Green, Blue and White.  |
|   |   | BUTTON LED   | The whole ON, OFF flickering<br>Color changes in sequence Red, Green, Blue and White.  |
|   | “ON”  | Turn On all Lamp, FND and LED.<br>(This value will be maintained at other test mode if they are ON status) |  |
| “ON/OFF”  | Repeating ON, OFF   |  |  |
| 4.ELEVATOR  | Ball Elevator Operation Test.   |  |  |
|   | “OFF”   | Stop Ball Elevator.  |  |
|   | “ON”  | Operate Ball Elevator.   |  |
|   | Display of Goals FND : display of motor On/OFF [Move:On, Stop: Off]<br>Display of Tickets FND :<br>1 <sup>st</sup> place : Status of Motor encoder “_” : Off, “1” : On<br>2 <sup>nd</sup> place: Ball Check Sensor “_” : Off, “1” : On<br>Adjust the interval of automatic releasing the ball with Left and Right button:<br>Minimum 50 to Maximum 300 per 10 Displayed at Times FND (100 = One second) |  |  |
| 5.KEEPER MOT  | Operation test of Goal Keeper Motor.  |  |  |
|   | “OFF”   | Stop at Center position.   |  |
|   | “LEFT”  | Stop after moving to left.   |  |
|   | “RIGHT”   | Stop after moving to right.  |  |
|   | “CENTER”  | Stop after moving to center.   |  |
| Indicating the coordinate value in motion at TICKET FND as a criterion of “0” at left side. When pressing SELECT Button, it changes in sequence of Left, Right, center and OFF. |   |  |  |
| 6.COIN  | “OFF”, “ON”   | Operation of Coin selector.  |  |
|   | Goals FND Display : Display of Inhibit movement, On/Off of coin selector, [Move:On, Stop: Off]<br>Times FND Display : Coin input signal. (On: input signal , Off: No signal)<br>Ticket FND Display : Display of number of input coins.<br>When pressing SELECT Button, “ON” and “OFF” are functioning.  |  |  |

|               |             |   |
|---------------|-------------|---|
| 7. TICKET     | "OFF", "ON" | Ticket dispensing operation test. (Dispensing 3 tickets basically)  |
|               |             | Time FND Display : Display of Movement and On/Off ticket dispenser. [Move:On, Stop: Off]                                |
|               |             | Ticket FND Display : Display of number of dispensed tickets and status of error.  |
| 8. COUNTER    | "COIN"      | Movement of coin counter.   |
|               | "TICKET"    | Movement of ticket counter.   |
|               |             | When pressing "SELECT" button after selecting "Coin" or "Ticket" by Left/Right button, The counter is increased by "1". |
| 9. SOUND TEST | [=>]        | Enter into "Sound Test" Mode.   |
| EXIT          |             | Exit to SET UP mode.  |

| <b>TEST MODE -&gt; INPUT TEST</b>  |   |   |
|--|---|---|
| Input Test displays INPUT which can be checked with naked eyes in front of the machine<br>Exit in case pressing the Cancel Button. |   |   |
| <b>LCD DISPLAY</b>   | <b>STATUS</b>   | <b>DESCRIPTIONS</b>                                 |
| GAME BUTTON  | Off, On   | Status of Game Button.                              |
| SERVICE B UTTON  | Off, On   | Status of Service Button.                           |
| TICKET SENSOR  | Off, On   | Status of Ticket Sensor.                            |
| TICKET BUTTON  | Off, On   | Status of Ticket Button.                            |
| COIN SENSOR  | Off, On   | Status of Coin Sensor.                              |
| BILL SENSOR  | Off, On   | Status of Bill Acceptor Sensor.                     |
| GOAL IR SENSOR   | Off, On   | Status of Goalpost Sensor.                          |
| GOAL HOLE S/W  | Off, On   | Status of Hole Switch at the Bottom of Goalpost.    |
| OUTPUT S/W   | Off, On   | Status of Ball Check Sensor at the Top of Elevator. |
| KEEPER LEFT S/W  | Off, On   | Status of Limit Switch at Left -side of Keeper.     |
| KEEPER RIGHT S/W   | Off, On   | Status of Limit Switch at Right -side of Keeper.    |
| SETUP UP   | Off, On   | Status of Button above SETUP.                       |
| SETUP DOWN   | Off, On   | Status of Button below SETUP.                       |
| SETUP LEFT   | Off, On   | Status of Button at Left -side of SETUP.            |
| SETUP RIGHT  | Off, On   | Status of Button at Right -side of SETUP.           |
| SETUP SELECT   | Off, On   | Status of SETUP Select.                             |
| SETUP CANCEL   | Off, On   | Status of SETUP Cancel.                             |
| SERVICE BUTTON   | Off, On   | Status of Service Button.                           |
| 0 :<br>0000000000000000  | To check internal switch and status of sensor with the value 0 and 1.<br>0 -No Input<br>1 -Existence of Input |   |
| 1 :<br>0000000000000000  |   |   |
| 2 :<br>0000000000000000  |   |   |

| <b>TEST MODE -&gt; SOUND TEST</b> |                        |  |
|-----------------------------------|------------------------|--|
| <b>LCD DISPLAY</b>                | <b>SET VALUE</b>       | <b>DESCRIPTIONS</b>                              |
| TEST                              | "Channel "             | Output of Sound "One, Two, ~ Seven" per channel. |
|                                   | "BGM"                  | Output Test of Back -ground Music.               |
|                                   | "FX"                   | Output Test of Sound Effect.                     |
|                                   | "VOC"                  | Output Test of Voice.                            |
| -EXIT-                            | Exit to Previous Menu. |  |

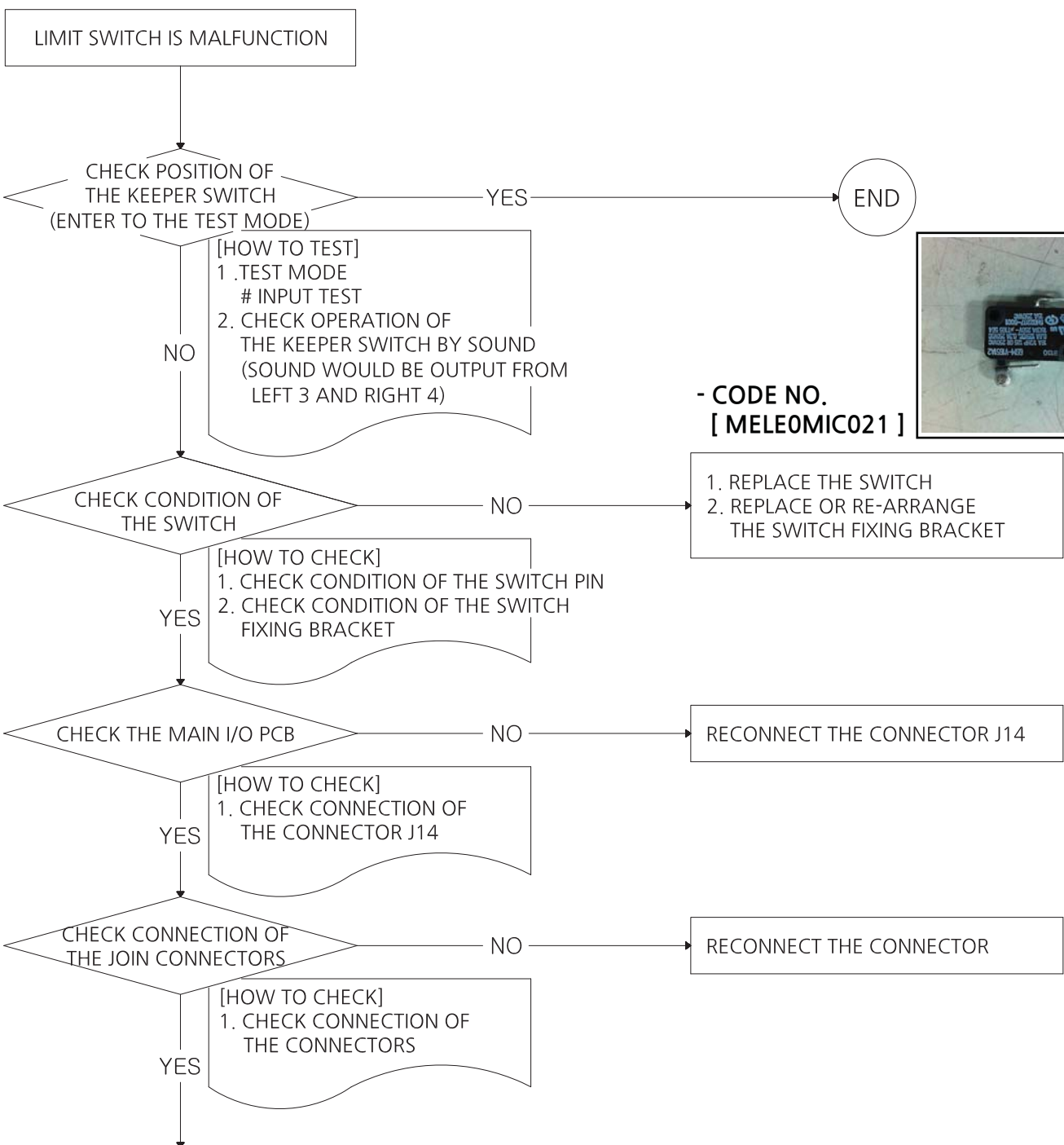
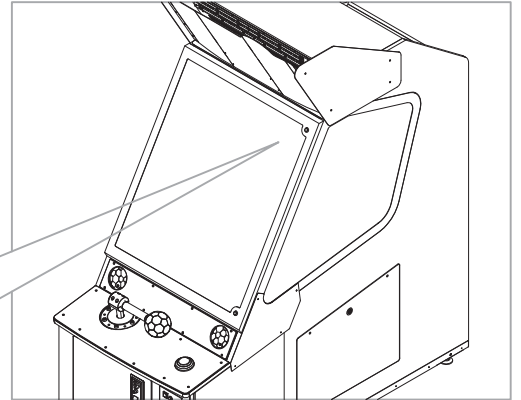
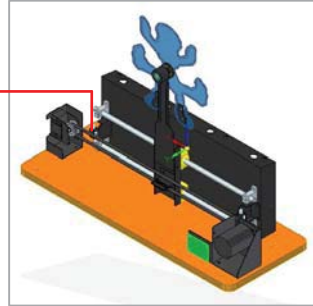
|   |
|---|
| EXIT  |
| Exit to Previous Menu (SETUP MODE) SELECT Button : Press the Button |

# [ 3. TROUBLESHOOTING ]

\* General check up : Check the supply voltage and wiring connection properly  
 \* "NO" : Means faulty of the check up result.

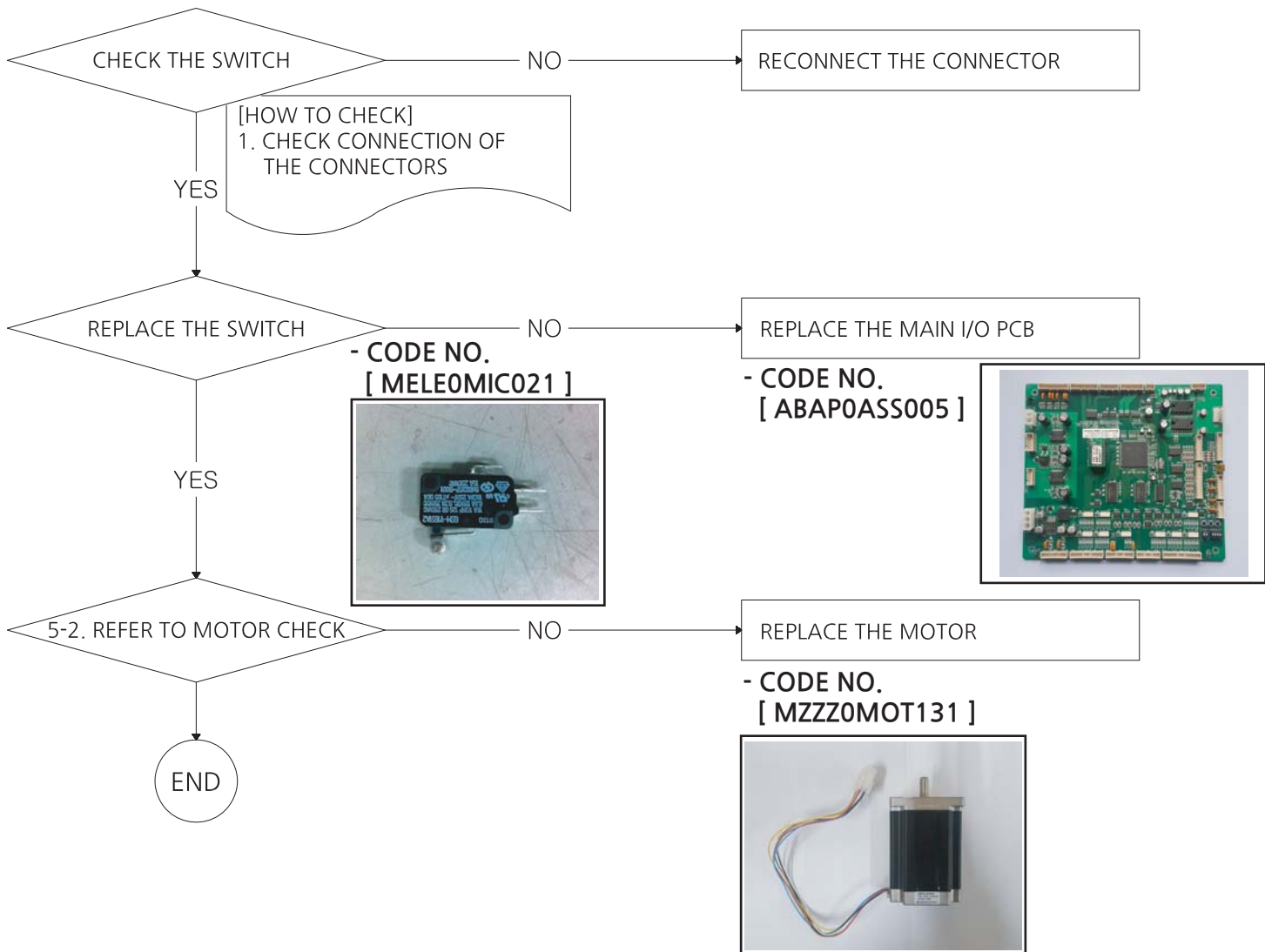
## 3-1. LIMIT SWITCH ERROR [E3-1, E3-2, E3-3]

LIMIT SWITCH



- CODE NO. [ MELEOMIC021 ]



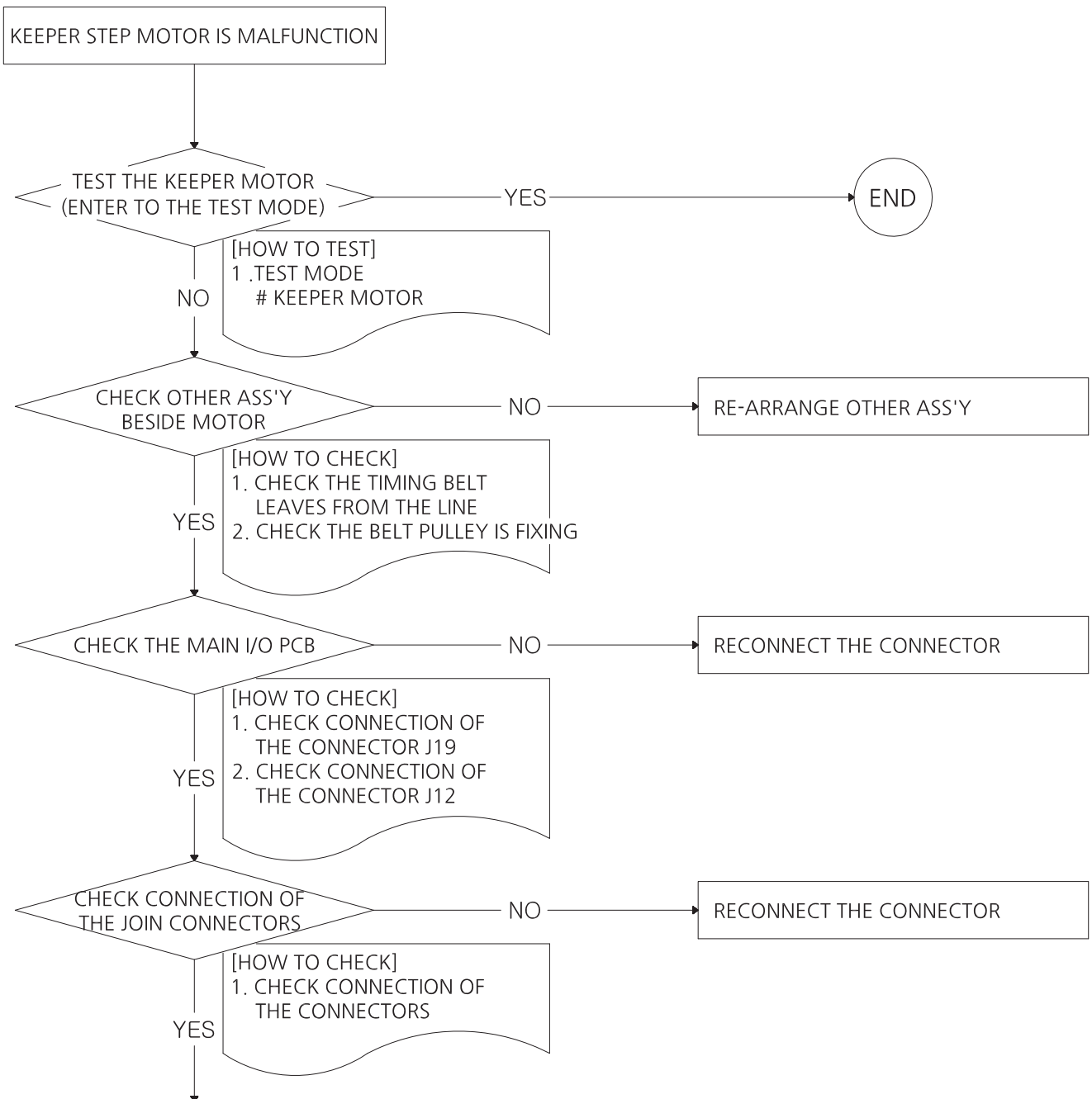
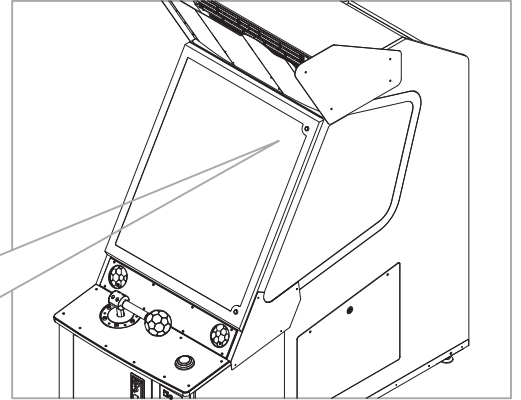
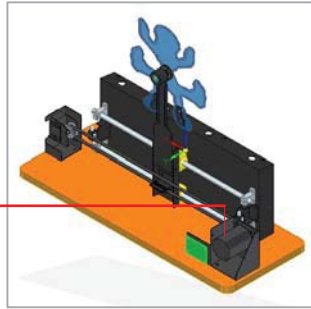


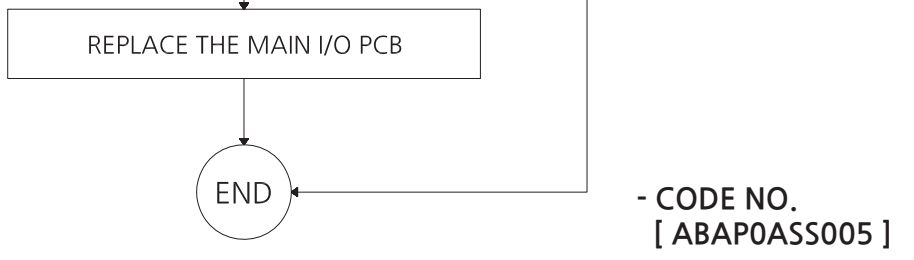
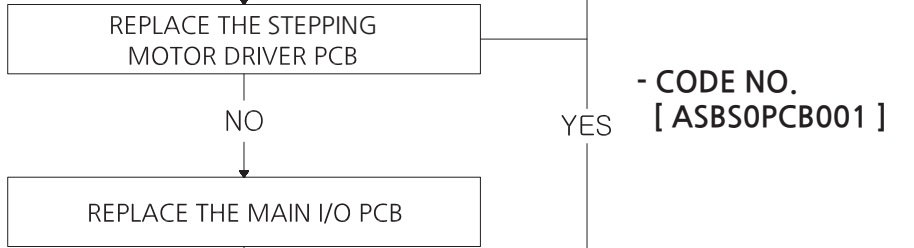
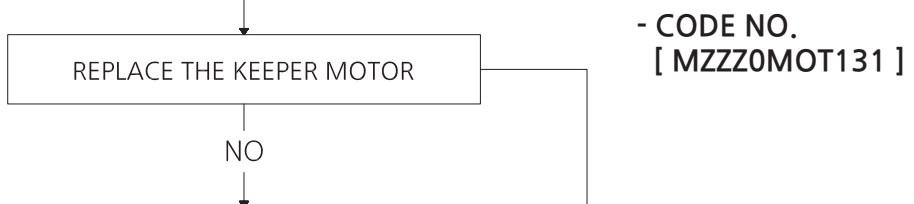
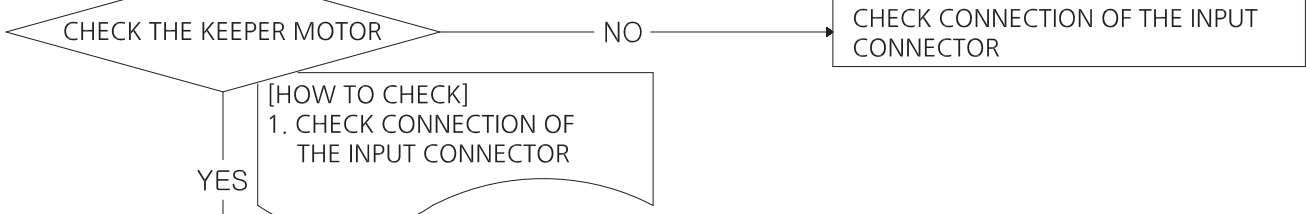
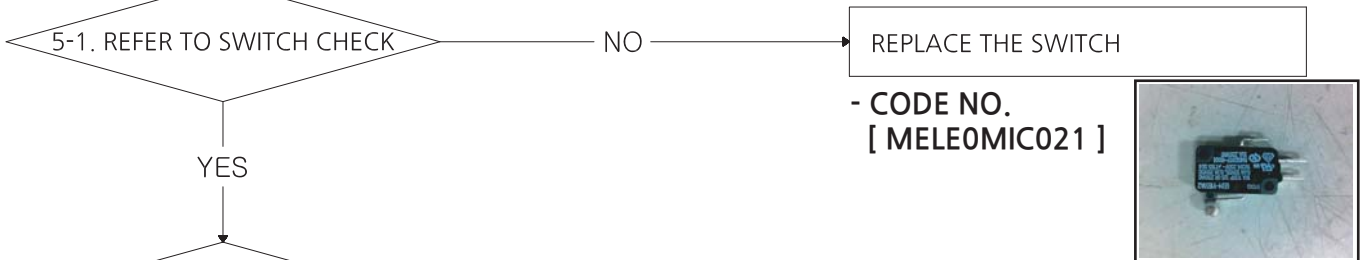
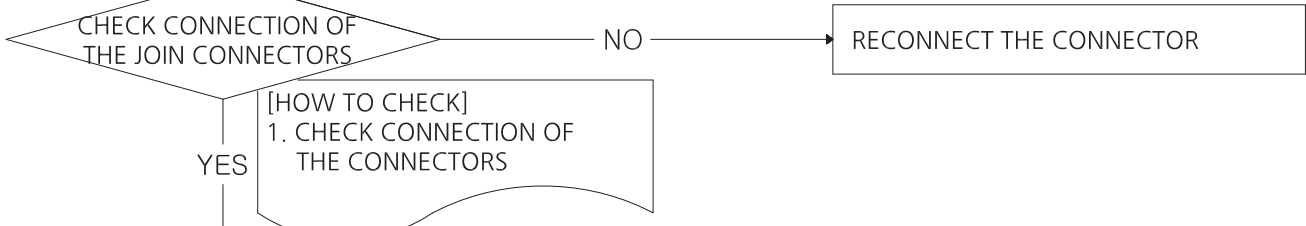
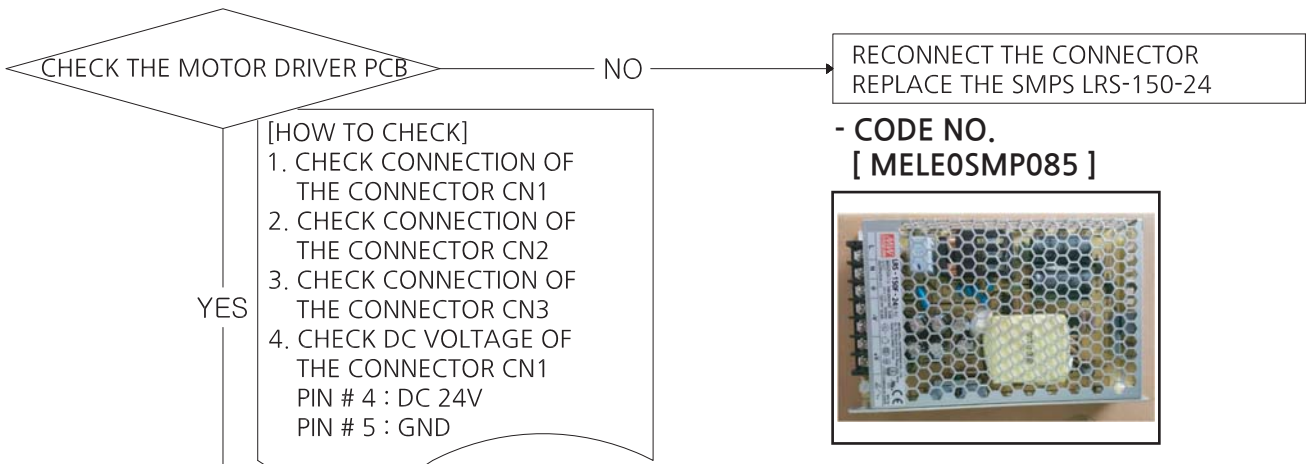


\* General check up : Check the supply voltage and wiring connection properly  
 \* "NO" : Means faulty of the check up result.

### 3-2. KEEPER STEP MOTOR ERROR [E3-1, E3-2, E3-3]

KEEPER STEP MOTOR

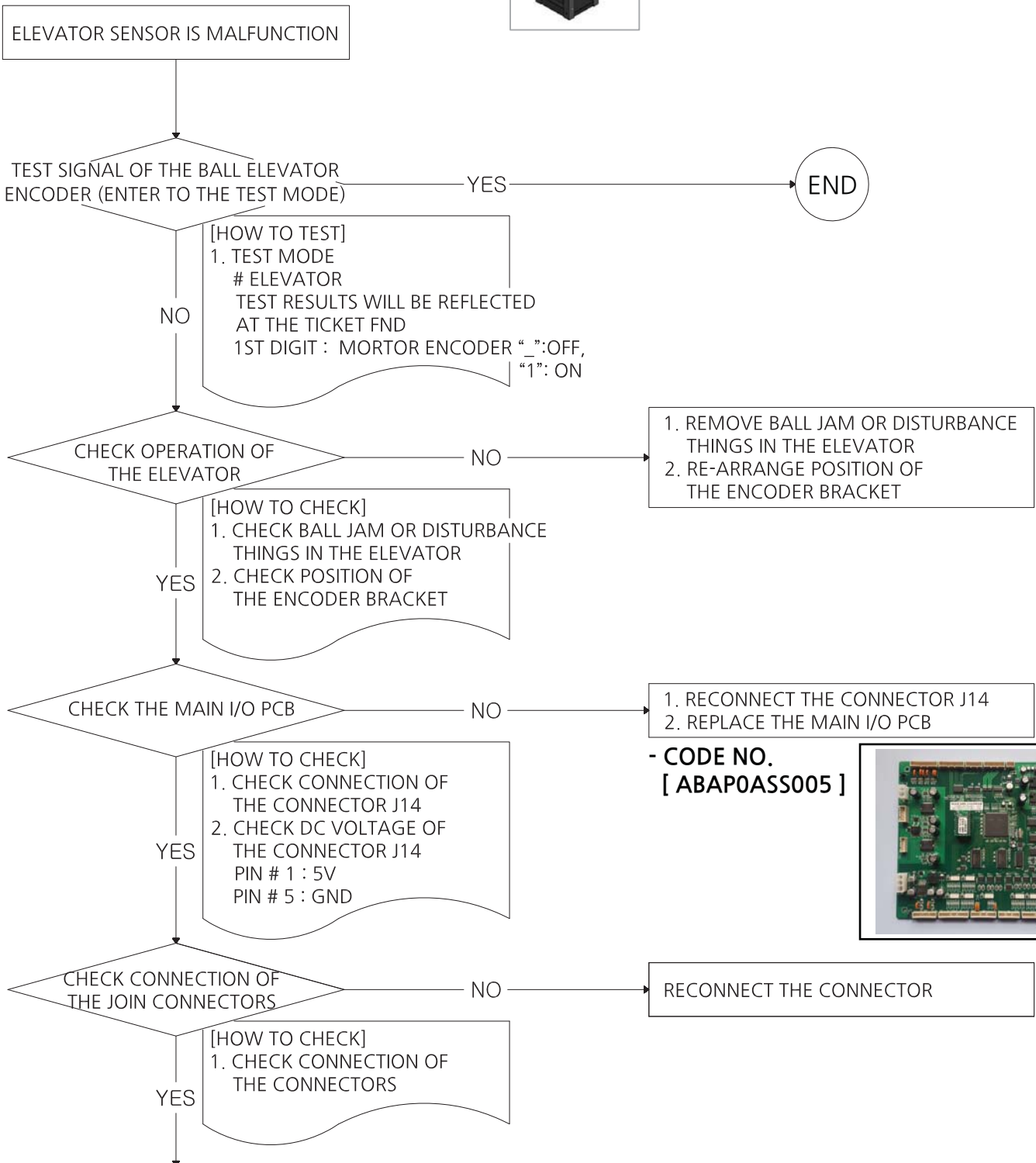
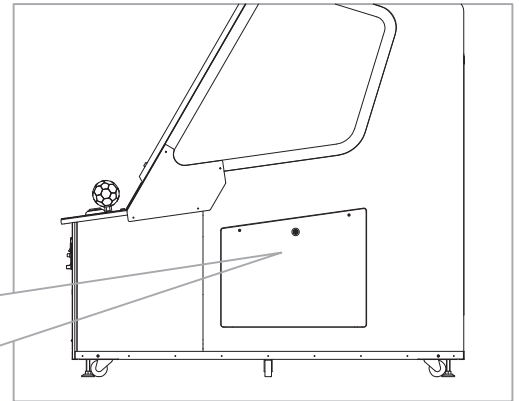
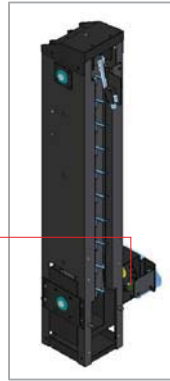


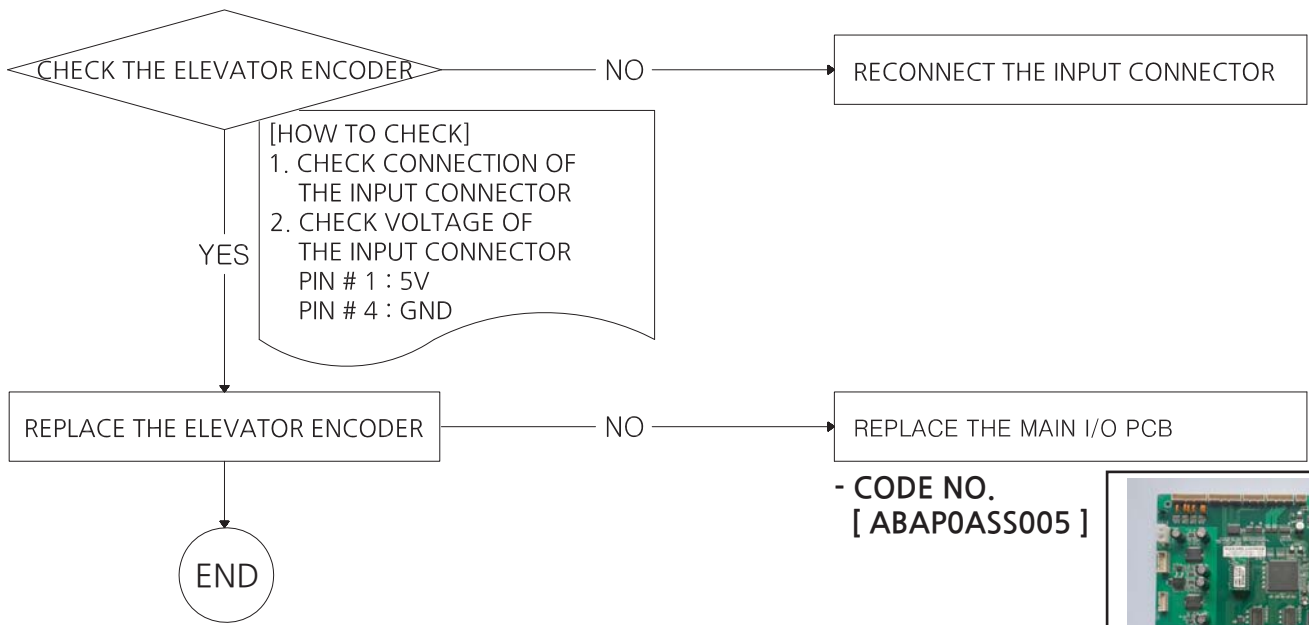


\* General check up : Check the supply voltage and wiring connection properly  
 \* "NO" : Means faulty of the check up result.

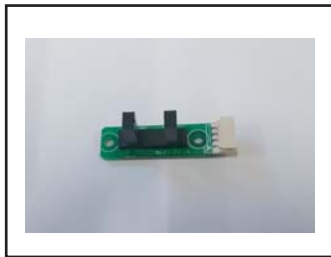
### 3-3. ELEVATOR SENSOR ERROR [E6-1]

ELEVATOR SENSOR





- CODE NO.  
[ AZZZ0PCB103 ]



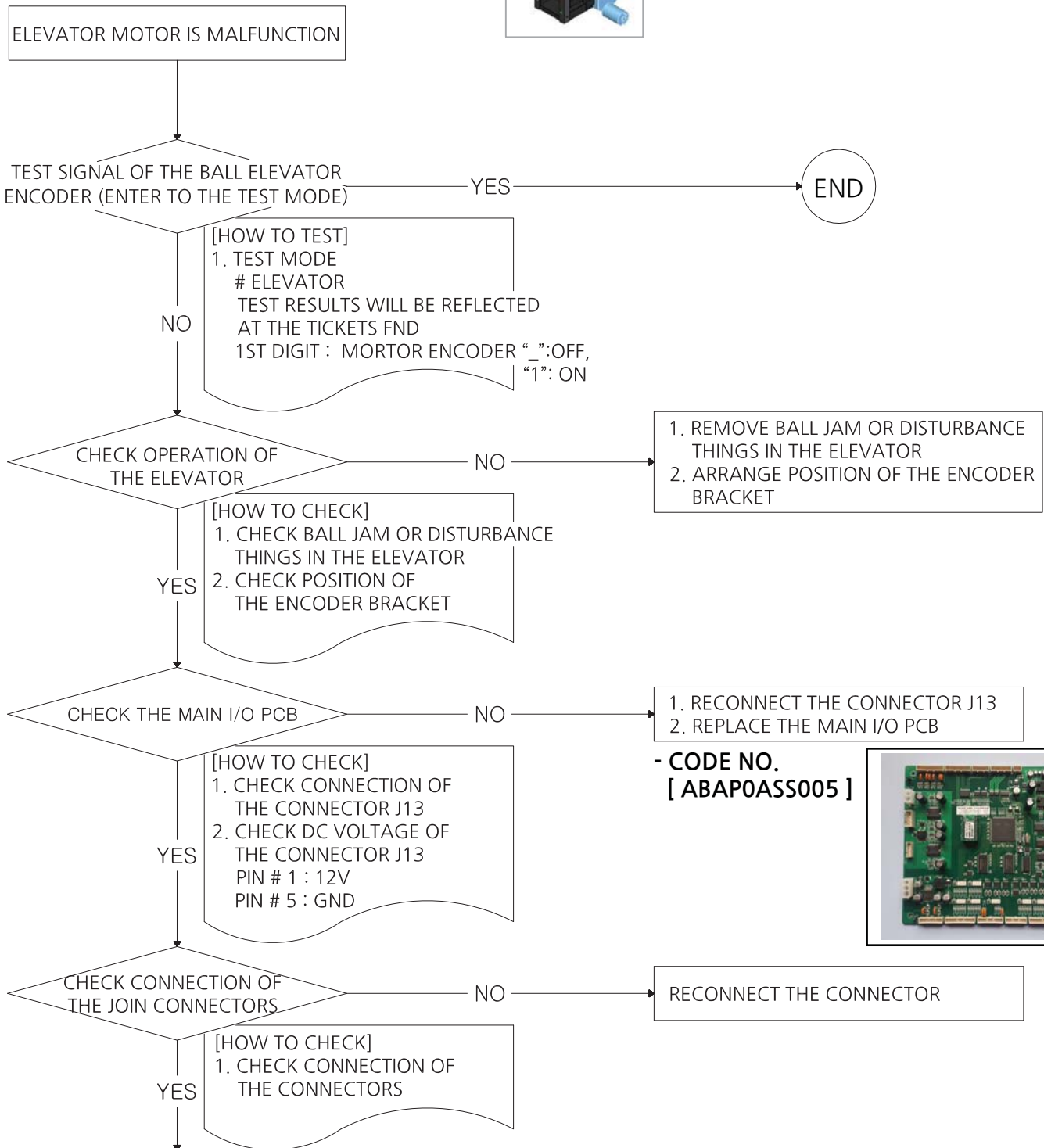
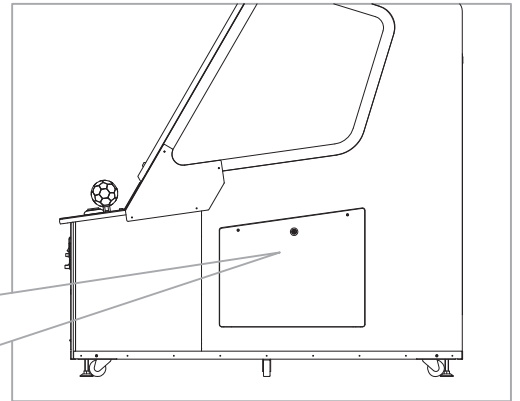
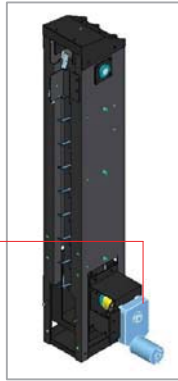
- CODE NO.  
[ ABAP0ASS005 ]

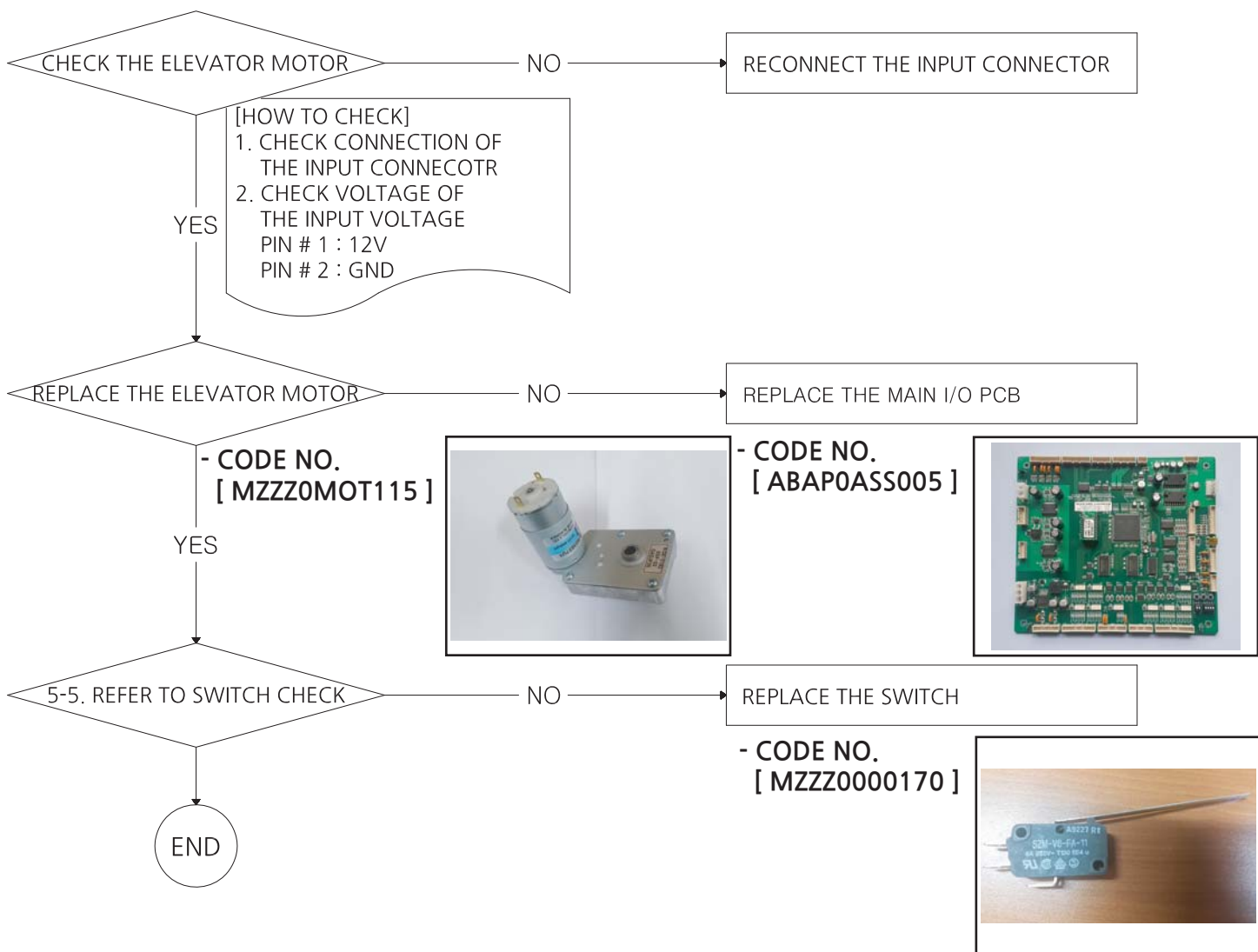


- \* General check up : Check the supply voltage and wiring connection properly
- \* "NO" : Means faulty of the check up result.

### 3-4. ELEVATOR MOTOR ERROR [E6-1]

ELEVATOR MOTOR

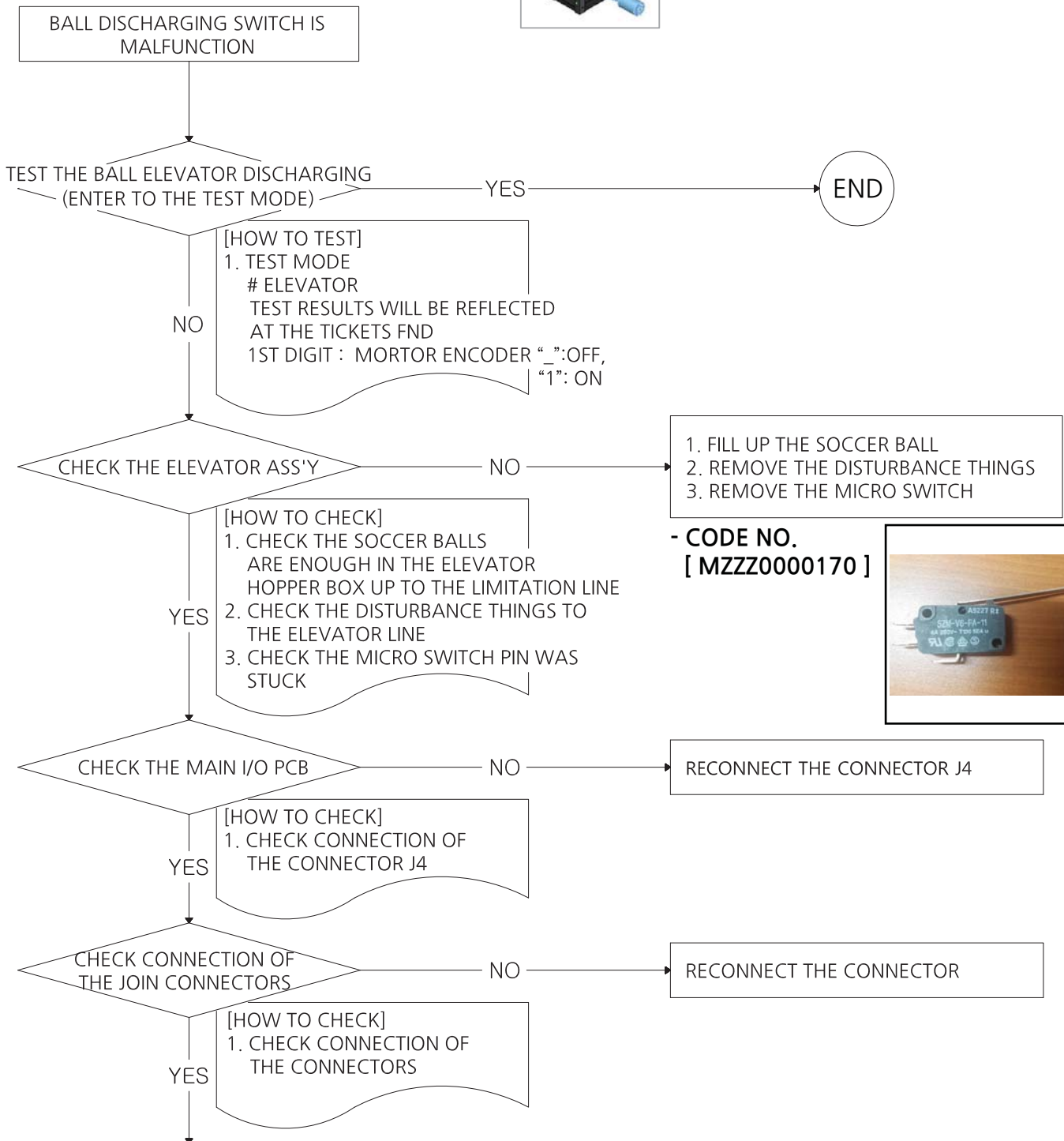
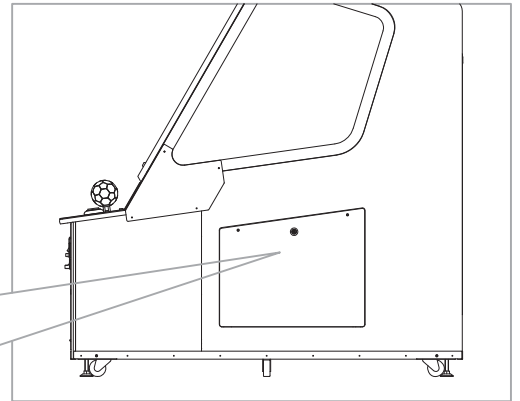


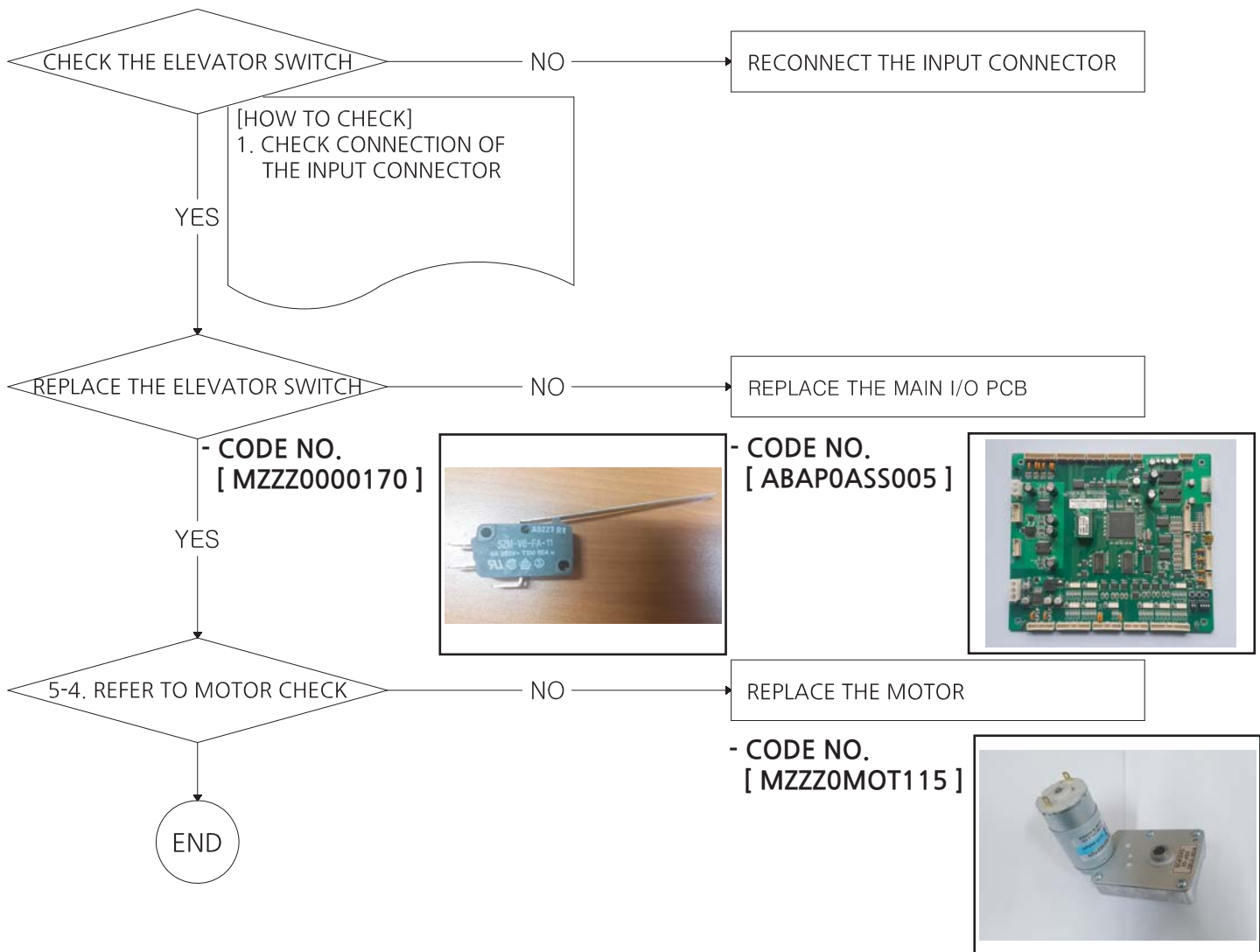


\* General check up : Check the supply voltage and wiring connection properly  
 \* "NO" : Means faulty of the check up result.

### 3-5. DISCHARGING SWITCH ERROR [E6-2]

DISCHARGING SWITCH



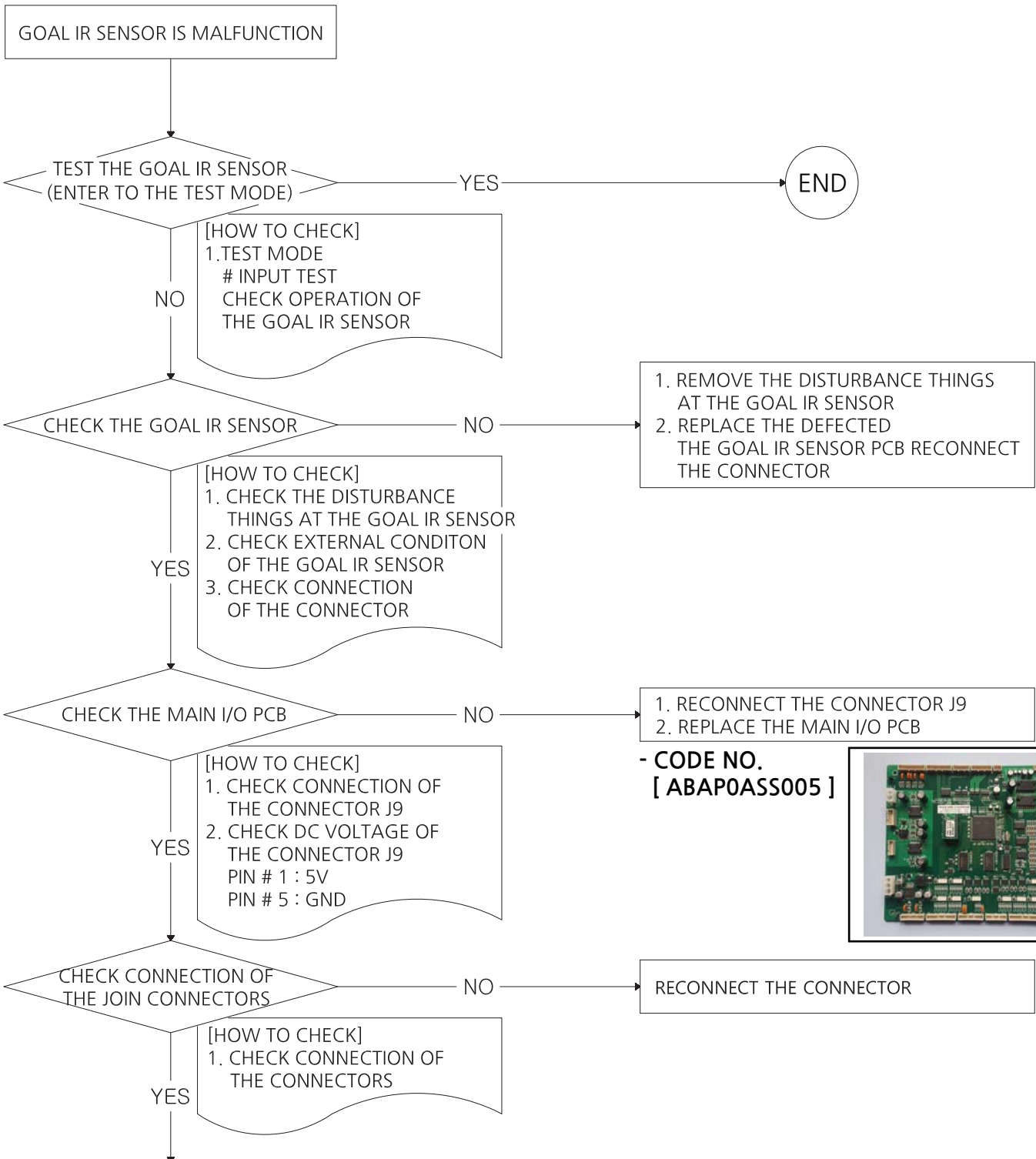
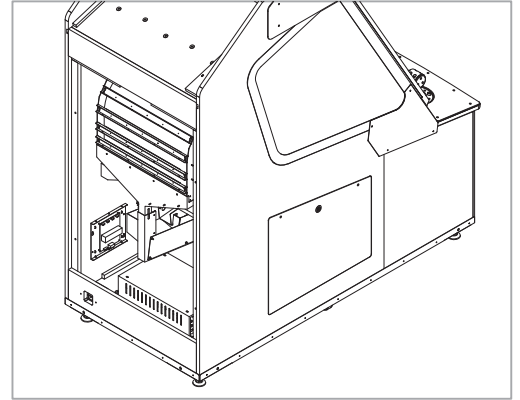
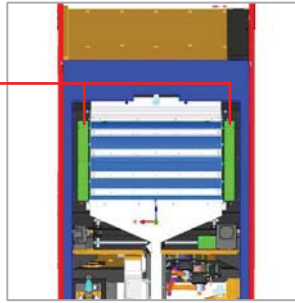




\* General check up : Check the supply voltage and wiring connection properly  
 \* "NO" : Means faulty of the check up result.

### 3-6. GOAL IR SENSOR ERROR [E8-1, E8-2]

GOAL IR SENSOR





[HOW TO CHECK]  
 1. CHECK CONNECTION OF THE INPUT CONNECOTR ( RECEIVER , TRANSMITTER )  
 2. CHECK VOLTAGE OF THE CONNECTOR ( RECEIVER , TRANSMITTER )  
 PIN # 1 : 5V  
 PIN # 4 : GND

- CODE NO. [ ABAP0ASS005 ]



YES

REPLACE THE GOAL IR SENSOR PCB RECEIVER AND TRANSMITTER

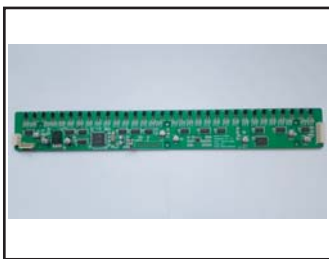
NO → REPLACE THE MAIN I/O PCB

- CODE NO. [ ABAP0ASS005 ]



END

- CODE NO. [ ASBS0PCB002 ]



\* RECEIVER

- CODE NO. [ AFCU0PCB001 ]

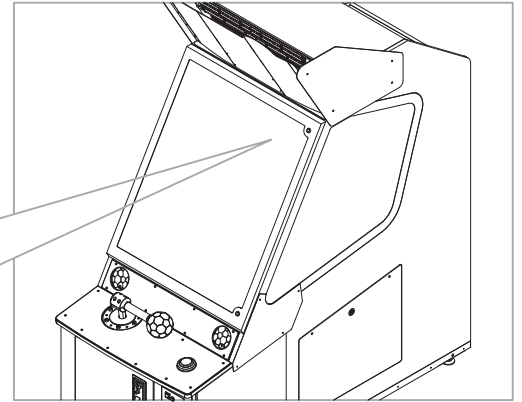
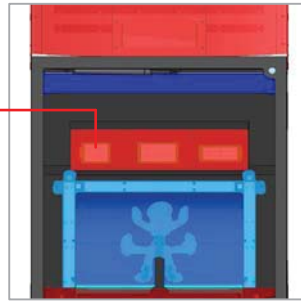


\* TRANSMITTER

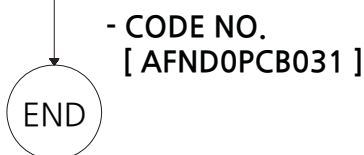
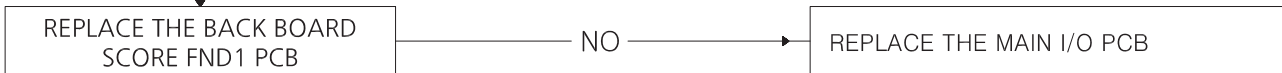
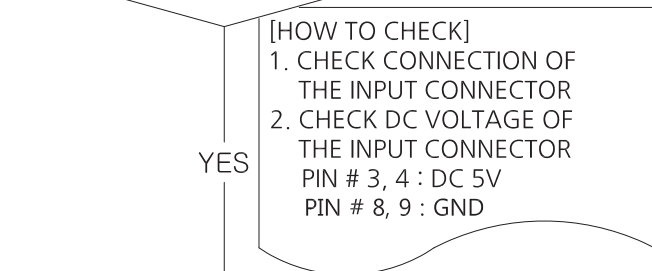
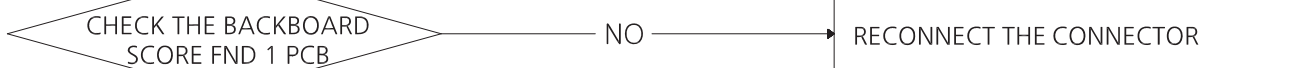
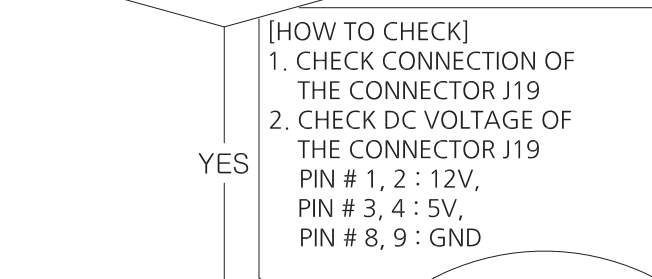
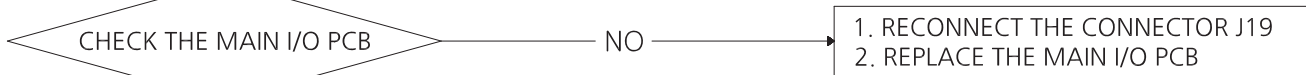
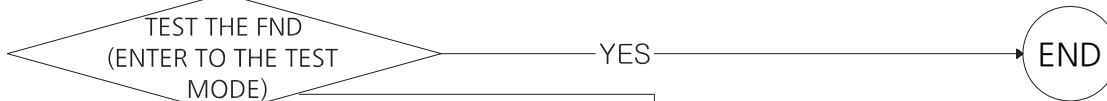
- \* General check up : Check the supply voltage and wiring connection properly
- \* "NO" : Means faulty of the check up result.

### 3-7. BACKBOARD SCORE FND ERROR

BACKBOARD SCORE FND



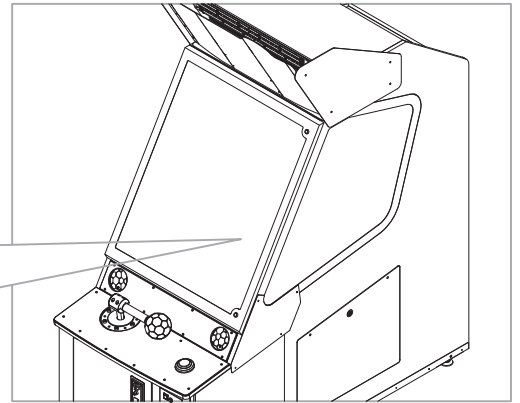
THE BACKBOARD SCORE FND IS MALFUNCTION  
 ARRANGEMENT : BACK BOARD SCORE FND 1 -> BACK BOARD SCORE FND 2 -> BACK BOARD SCORE FND 3 -> JACKPOT FND



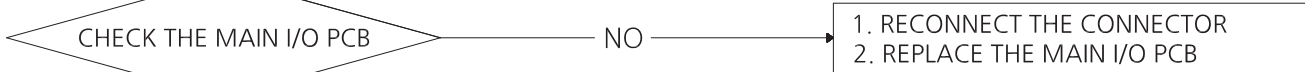
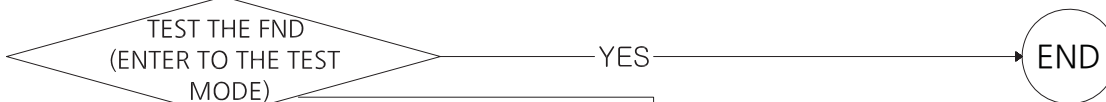
- \* General check up : Check the supply voltage and wiring connection properly
- \* "NO" : Means faulty of the check up result.

### 3-8. SCORE FND ERROR

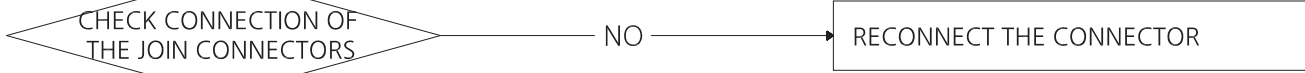
SCORE FND



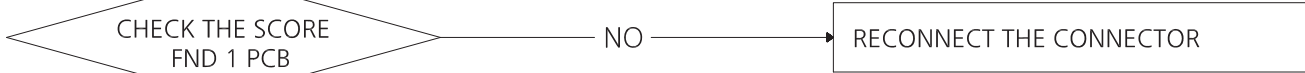
SCORE FND IS MALFUNCTION  
 ARRANGEMENT : SCORE FND 1 -> SCORE FND 2 -> SCORE FND 3 -> SCORE FND 4 ->  
 SCORE FND 5 -> CREDIT FND -> BUTTON LED



[HOW TO CHECK]  
 1. CHECK CONNECTION OF THE CONNECTOR J16  
 2. CHECK DC VOLTAGE OF THE CONNECTOR J16  
 PIN # 1, 2 : 5V  
 PIN # 6, 7 : GND



[HOW TO CHECK]  
 1. CHECK CONNECTION OF THE CONNECTORS



[HOW TO CHECK]  
 1. CHECK CONNECTION OF THE INPUT CONNECTOR  
 2. CHECK DC VOLTAGE OF THE INPUT CONNECTOR  
 PIN # 3, 4 : 5V  
 PIN # 8, 9 : GND

REPLACE THE  
SCORE FND1 PCB

NO

REPLACE THE MAIN I/O PCB

END

- CODE NO.  
[ AFND0PCB028 ]



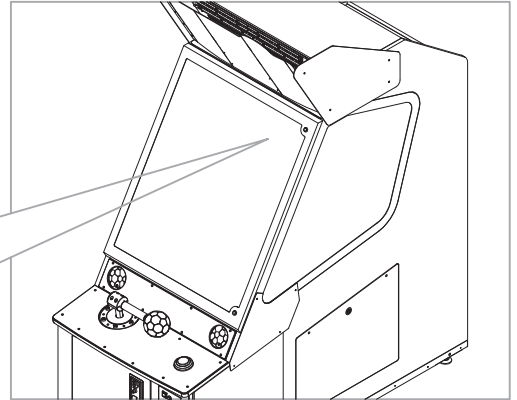
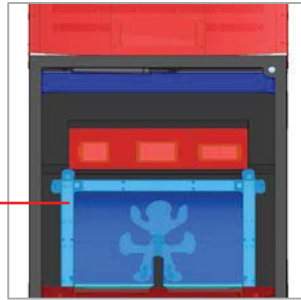
- CODE NO.  
[ ABAP0ASS005 ]



\* General check up : Check the supply voltage and wiring connection properly  
 \* "NO" : Means faulty of the check up result.

### 3-9. GOAL NET LED ERROR

GOAL NET LED



GOAL NET LED IS MALFUNCTION  
 ARRANGEMENT : GOALNET 2813LED1 -> GOALNET 2813LED2 -> GOALNET 2813LED3 ->  
 GOALNET 2813LED4 -> GOALNET 2813LED5

TEST THE FND  
 (ENTER TO THE TEST  
 MODE) YES → END

[HOW TO TEST]  
 1. TEST MODE  
 # FND & LAMP TEST

CHECK THE MAIN I/O PCB NO → RECONNECT THE CONNECTOR J8

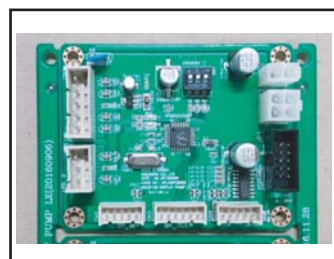
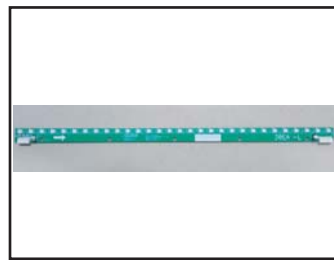
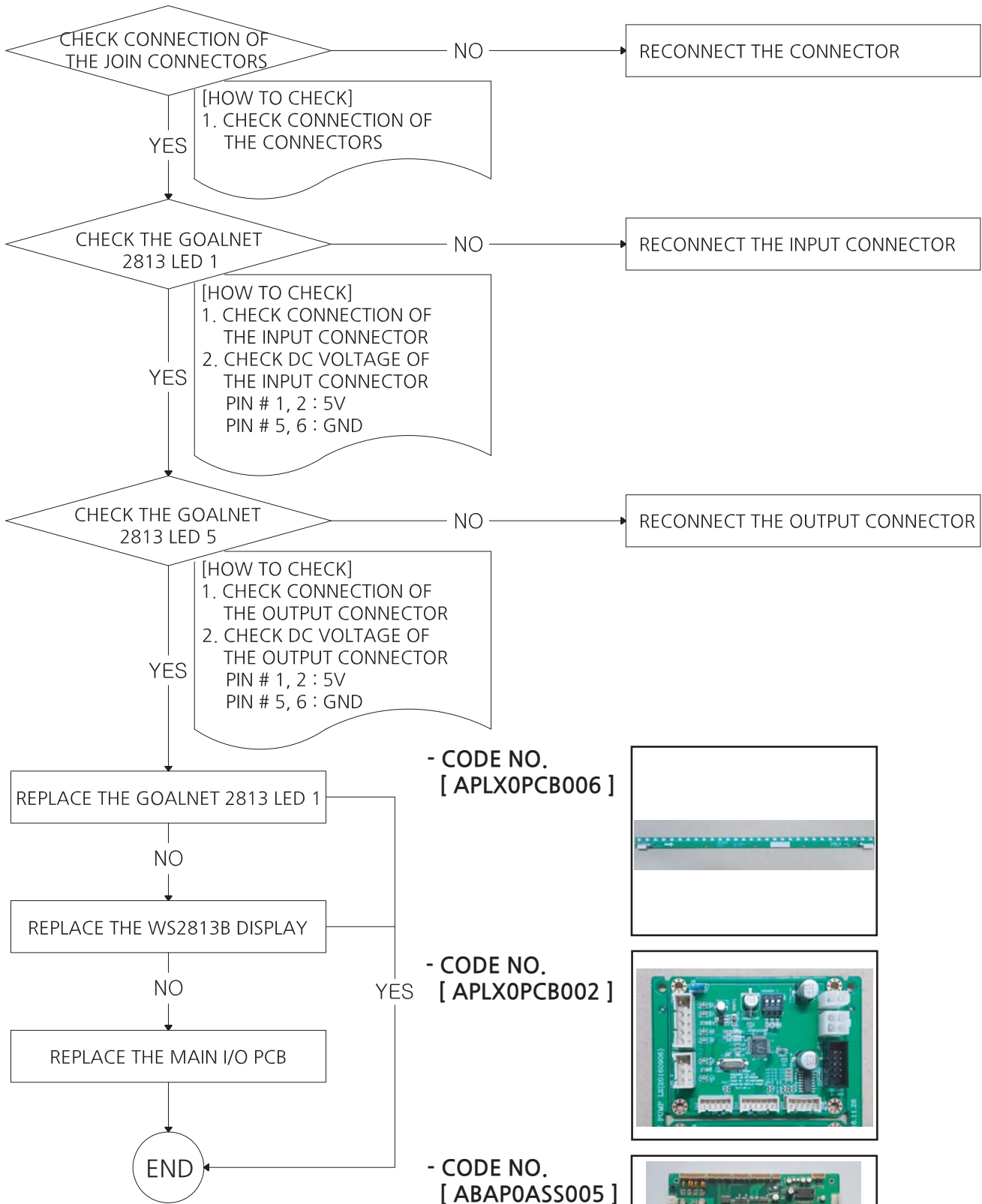
[HOW TO CHECK]  
 1. CHECK CONNECTION OF  
 THE CONNECTOR J8

CHECK THE WS2812B  
 DISPLAY NO → 1. RECONNECT THE CONNECTOR  
 2. REPLACE THE SMPS LRS150-5

[HOW TO CHECK]  
 1. CHECK CONNECTION OF  
 THE CONNECTOR CN4  
 2. CHECK CONNECTION OF  
 THE CONNECTOR J1  
 3. CHECK DC VOLTAGE OF  
 THE CONNECTOR J1  
 PIN # 1, 2 : 5V  
 PIN # 3, 4 : GND  
 4. CHECK CONNECTION OF  
 THE CONNECTOR CN1  
 5. CHECK DC VOLTAGE OF  
 THE CONNECTOR CN1  
 PIN # 1, 2 : 5V  
 PIN # 4, 5 : GND

- CODE NO.  
 [ MELE0SMP096 ]

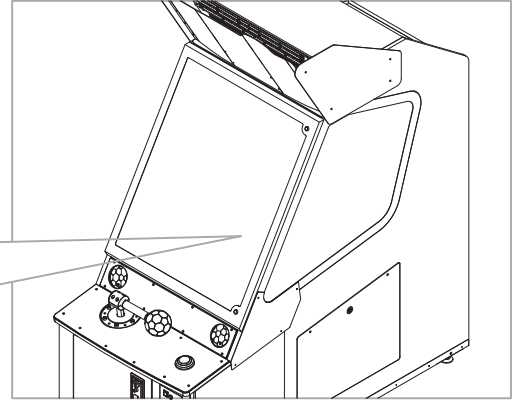




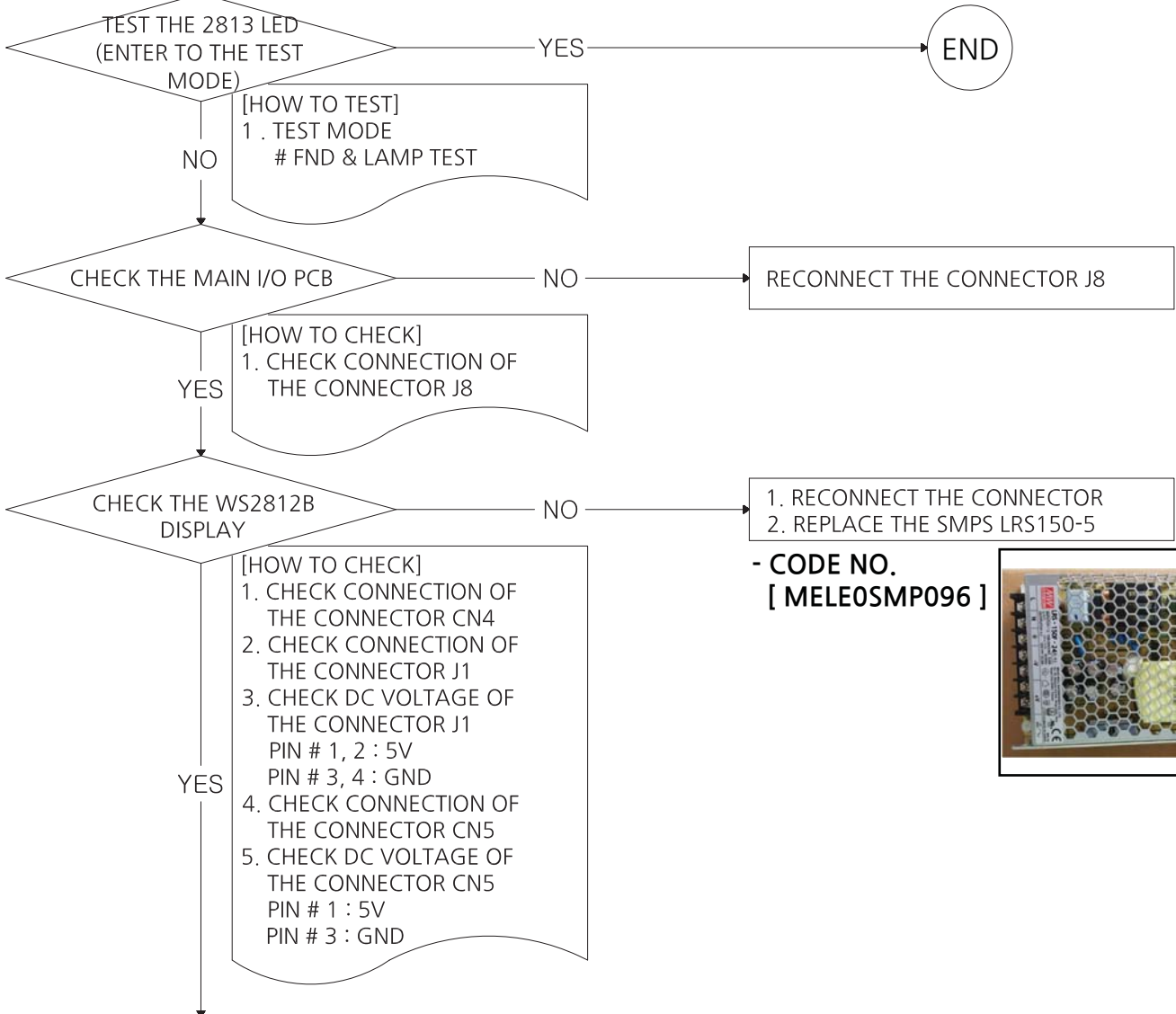
\* General check up : Check the supply voltage and wiring connection properly  
 \* "NO" : Means faulty of the check up result.

### 3-10. GROUND GOAL DECO LED ERROR

GROUND GOAL DECO LED



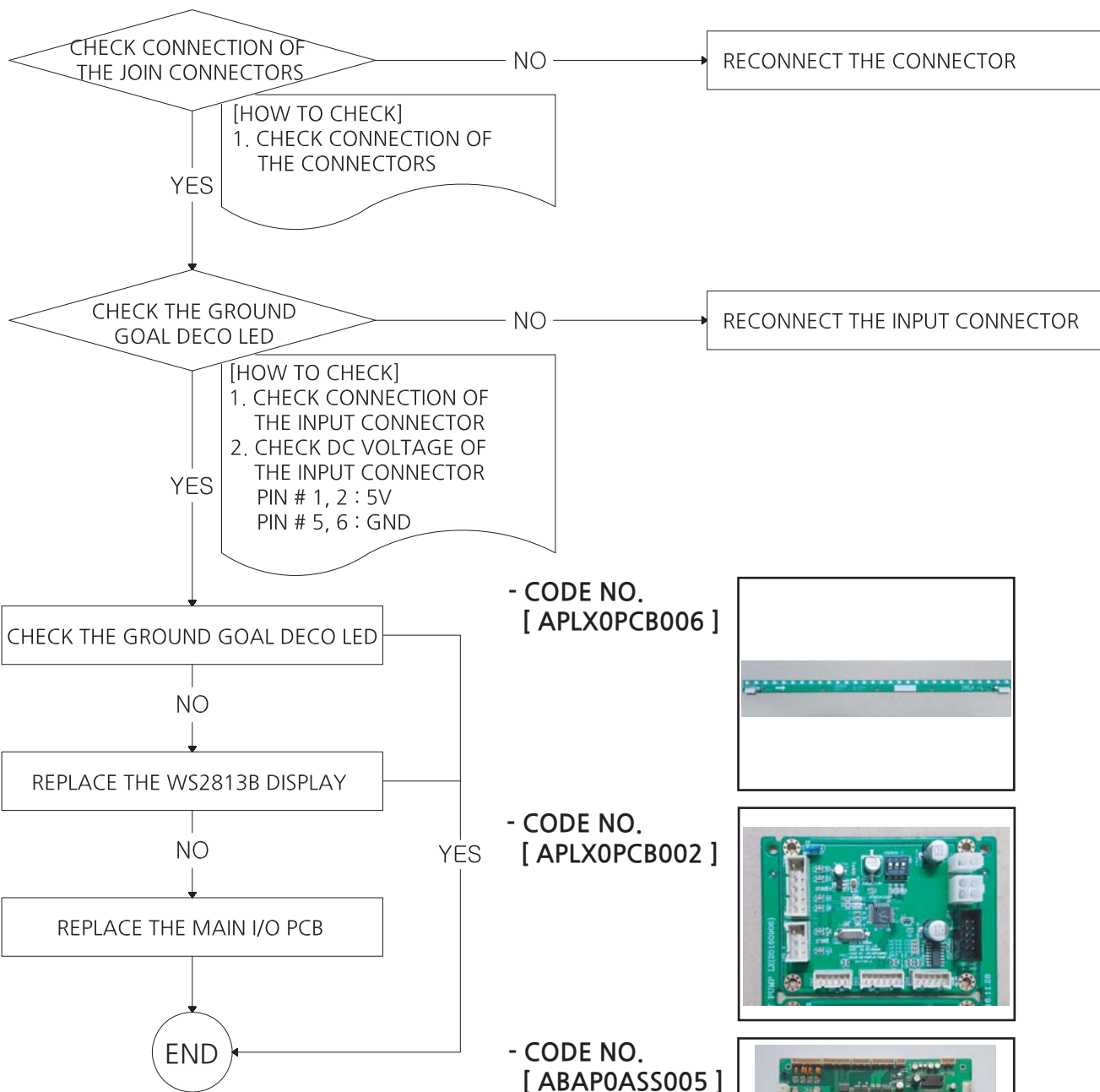
GROUND GOAL DECO LED IS MALFUNCTION  
 ARRANGEMENT : GROUND GOAL DECO LED -> GROUND GOAL DECO LED ->  
 RAIL FLEXIBLE LED



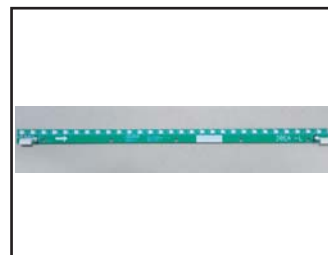
- CODE NO.  
 [ MELE0SMP096 ]



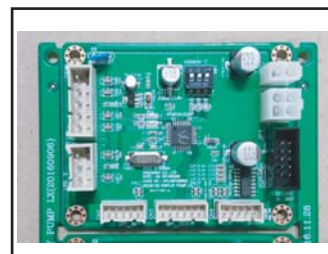




- CODE NO.  
[ APLX0PCB006 ]



- CODE NO.  
[ APLX0PCB002 ]

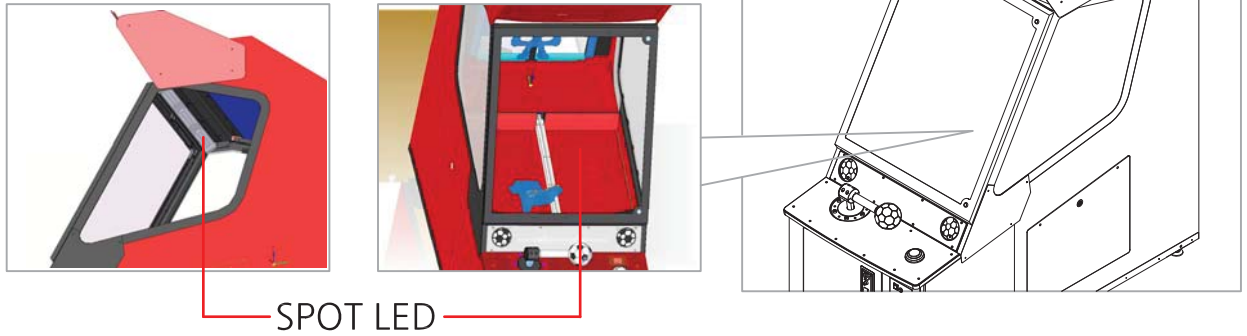


- CODE NO.  
[ ABAPOASS005 ]



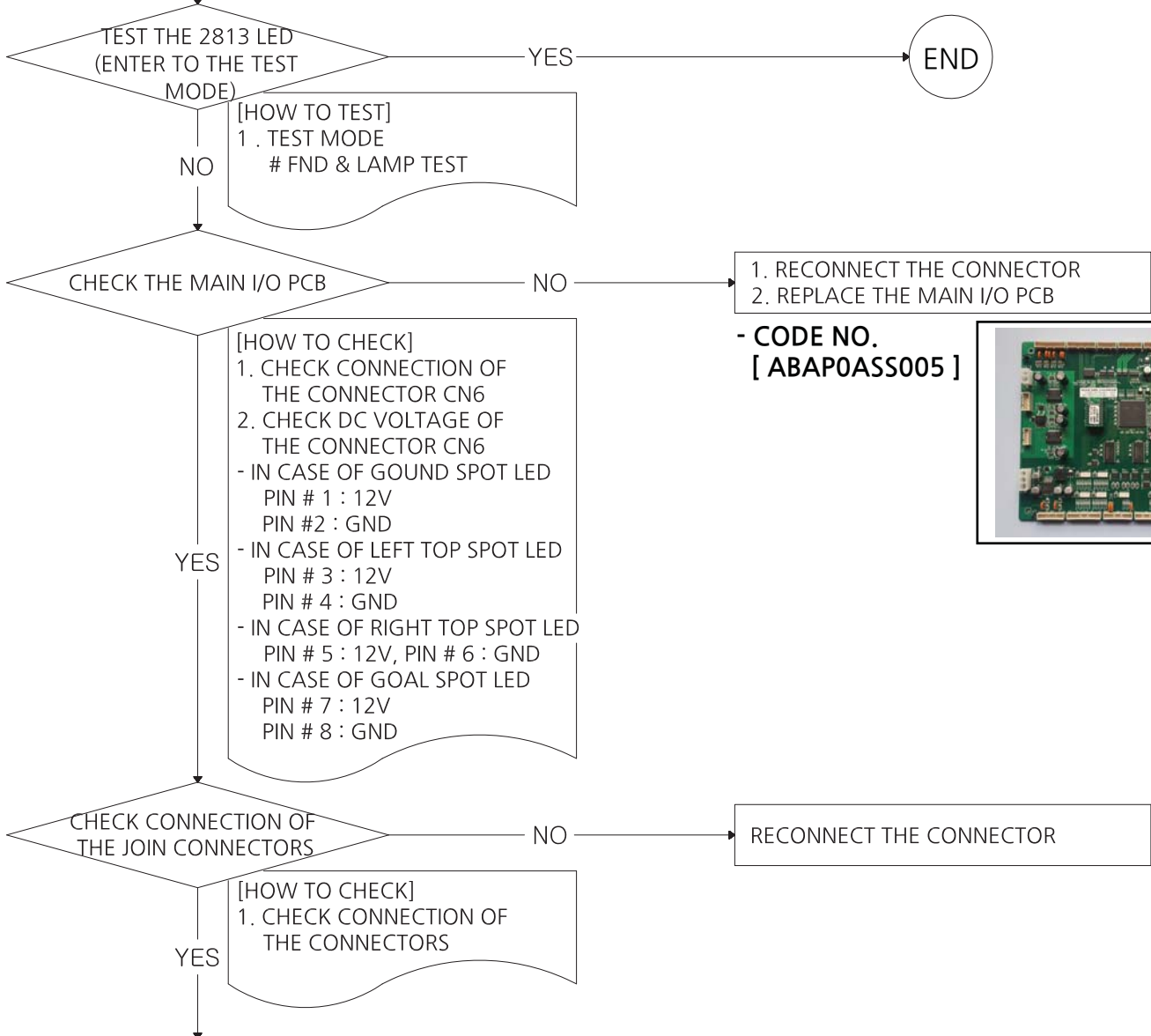
\* General check up : Check the supply voltage and wiring connection properly  
 \* "NO" : Means faulty of the check up result.

### 3-11. SPOT LED ERROR



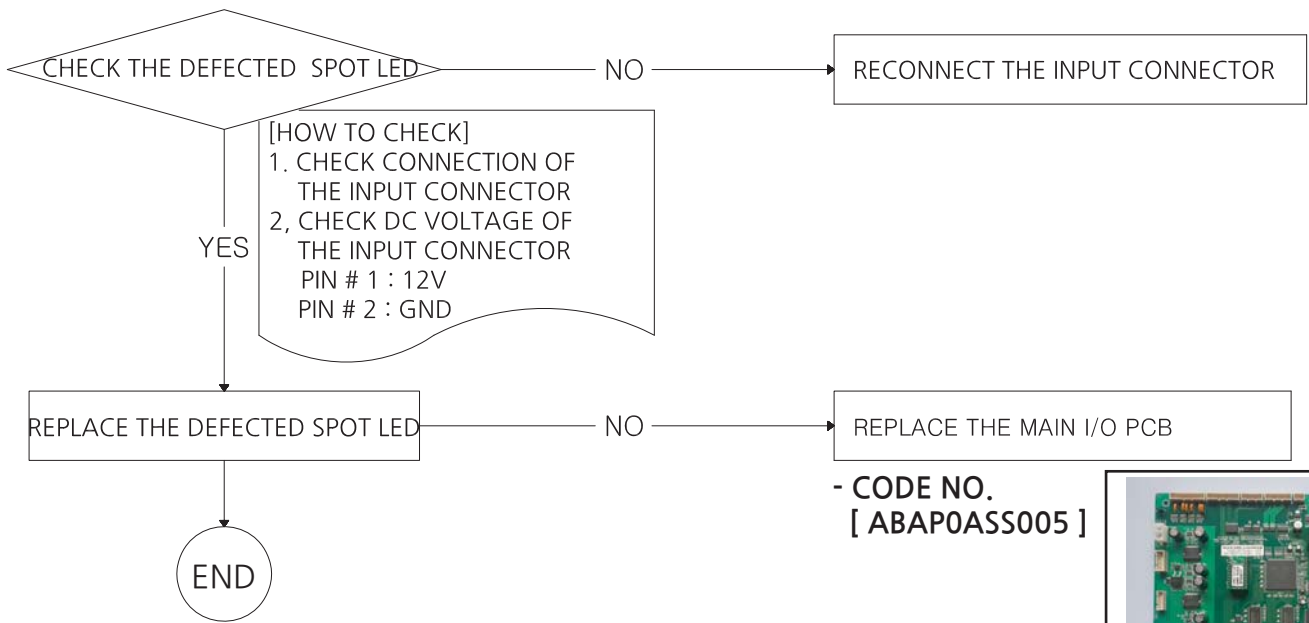
SPOT LED

SPOT LED (LEFT & RIGHT TOP SPOT LED, GROUND SPOT LED, GOAL SPOT LED) IS MALFUNCTION

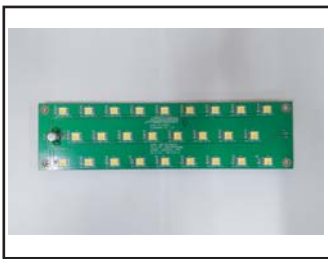


- CODE NO.  
[ ABAP0ASS005 ]





- CODE NO.  
[ ABAP0PCB008 ]

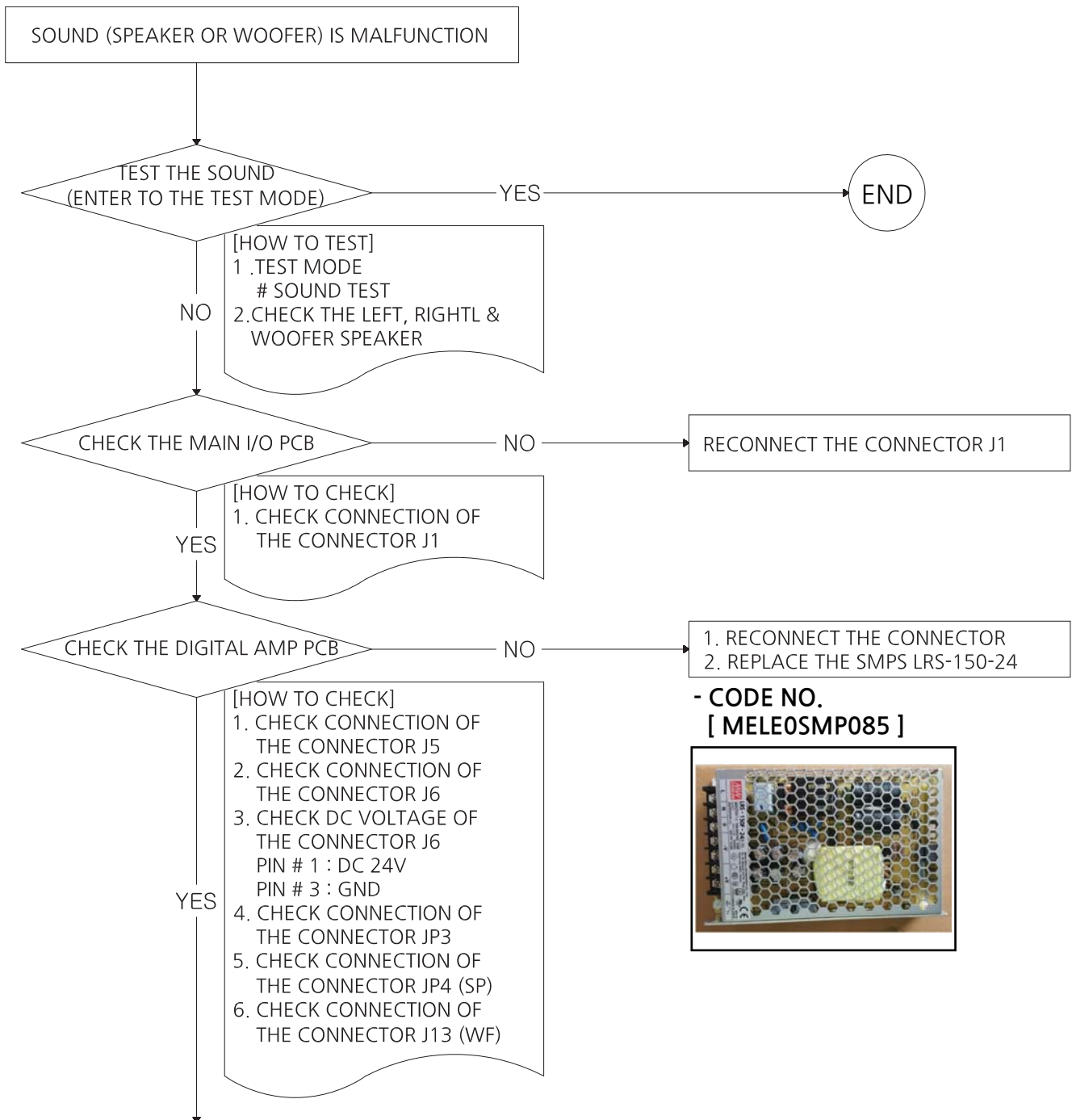
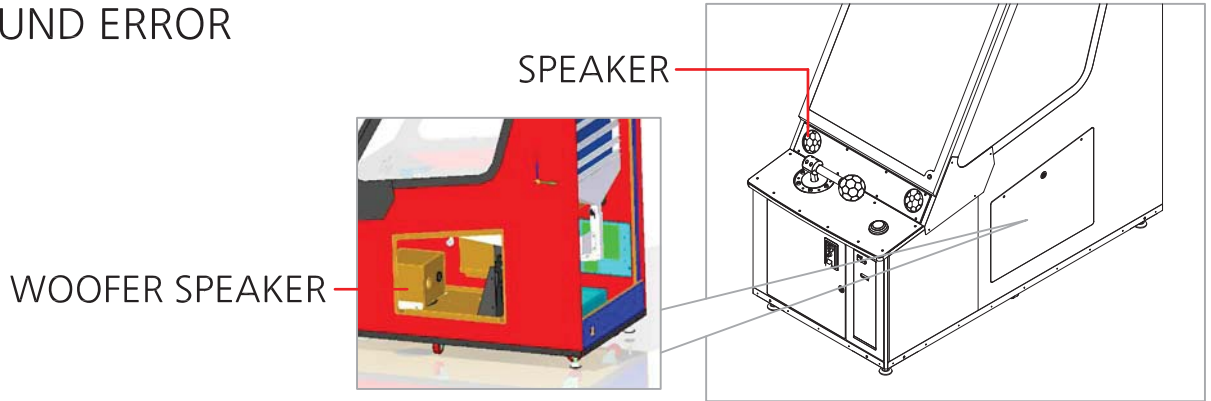


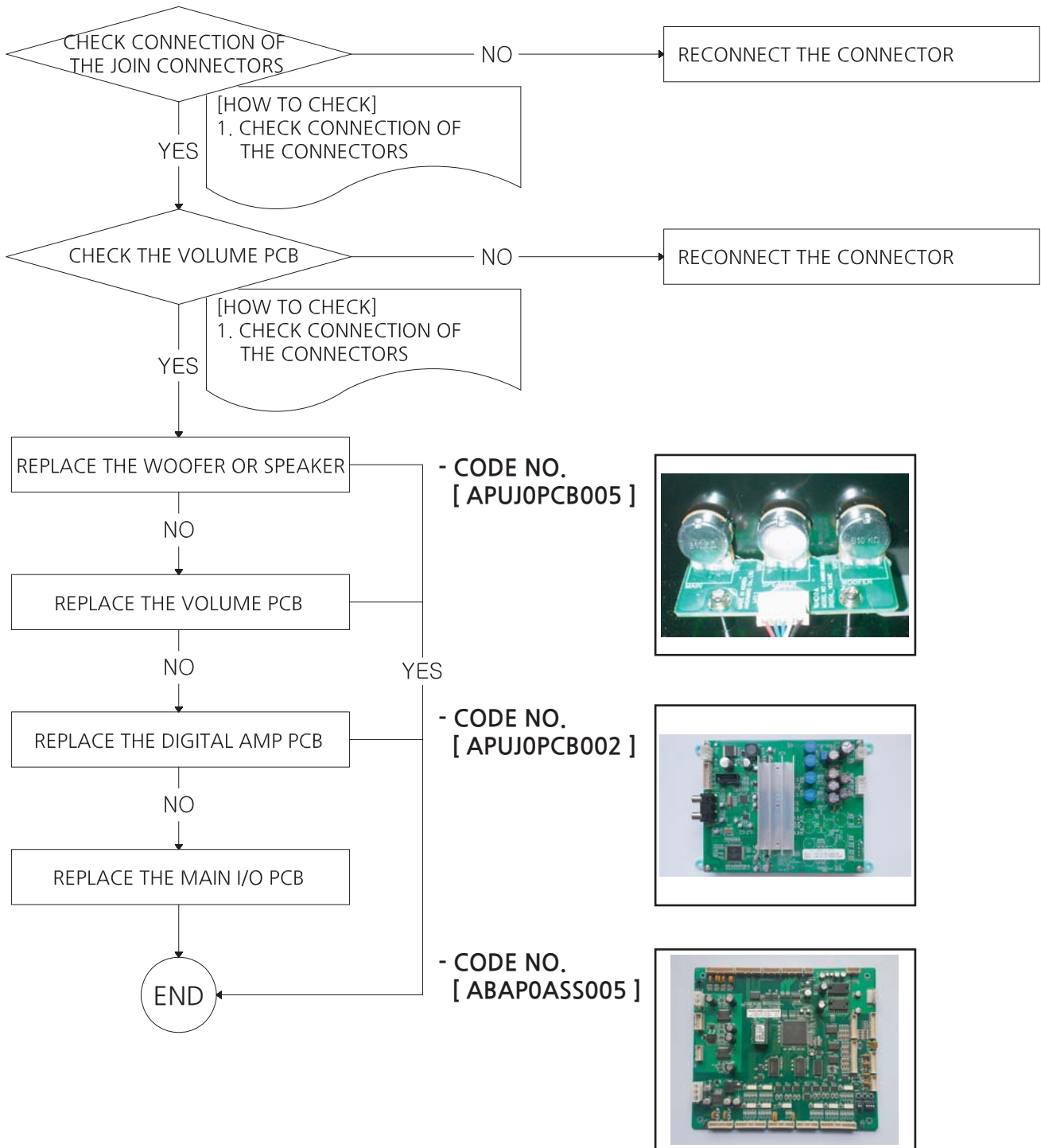
- CODE NO.  
[ ABAP0ASS005 ]



\* General check up : Check the supply voltage and wiring connection properly  
 \* "NO" : Means faulty of the check up result.

### 3-12. SOUND ERROR

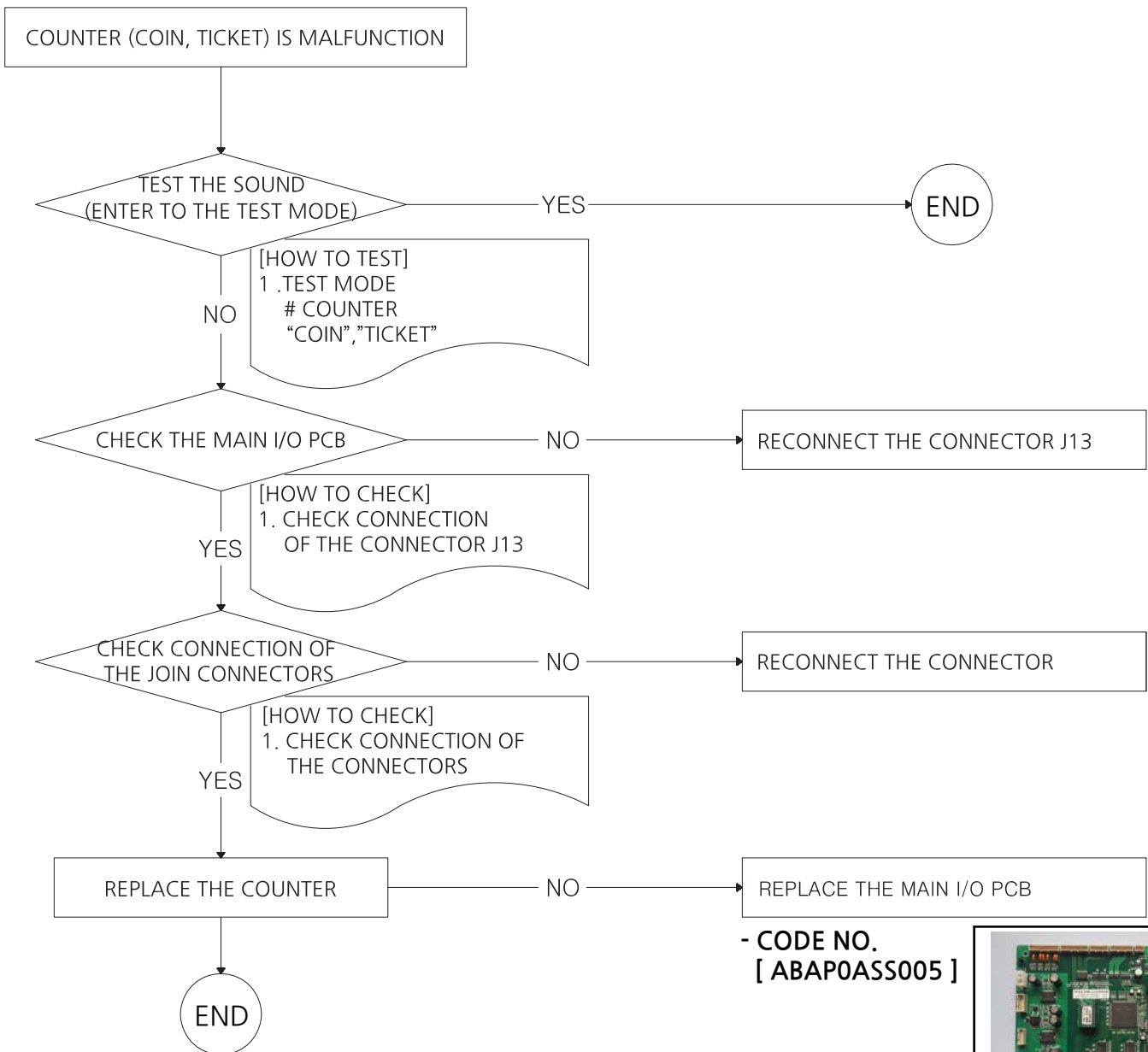
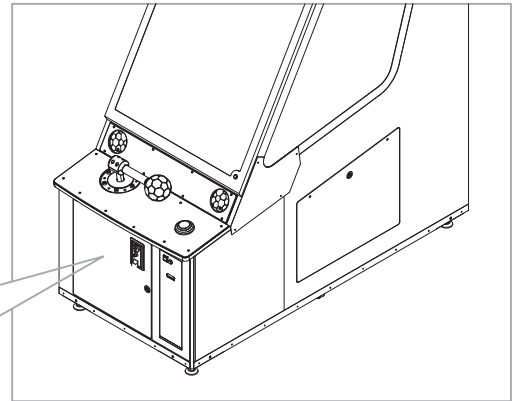
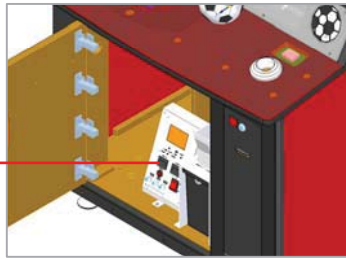




- \* General check up : Check the supply voltage and wiring connection properly
- \* "NO" : Means faulty of the check up result.

### 3-13. COUNTER ERROR

COUNTER



- CODE NO.  
[ MZZZ0COU002 ]

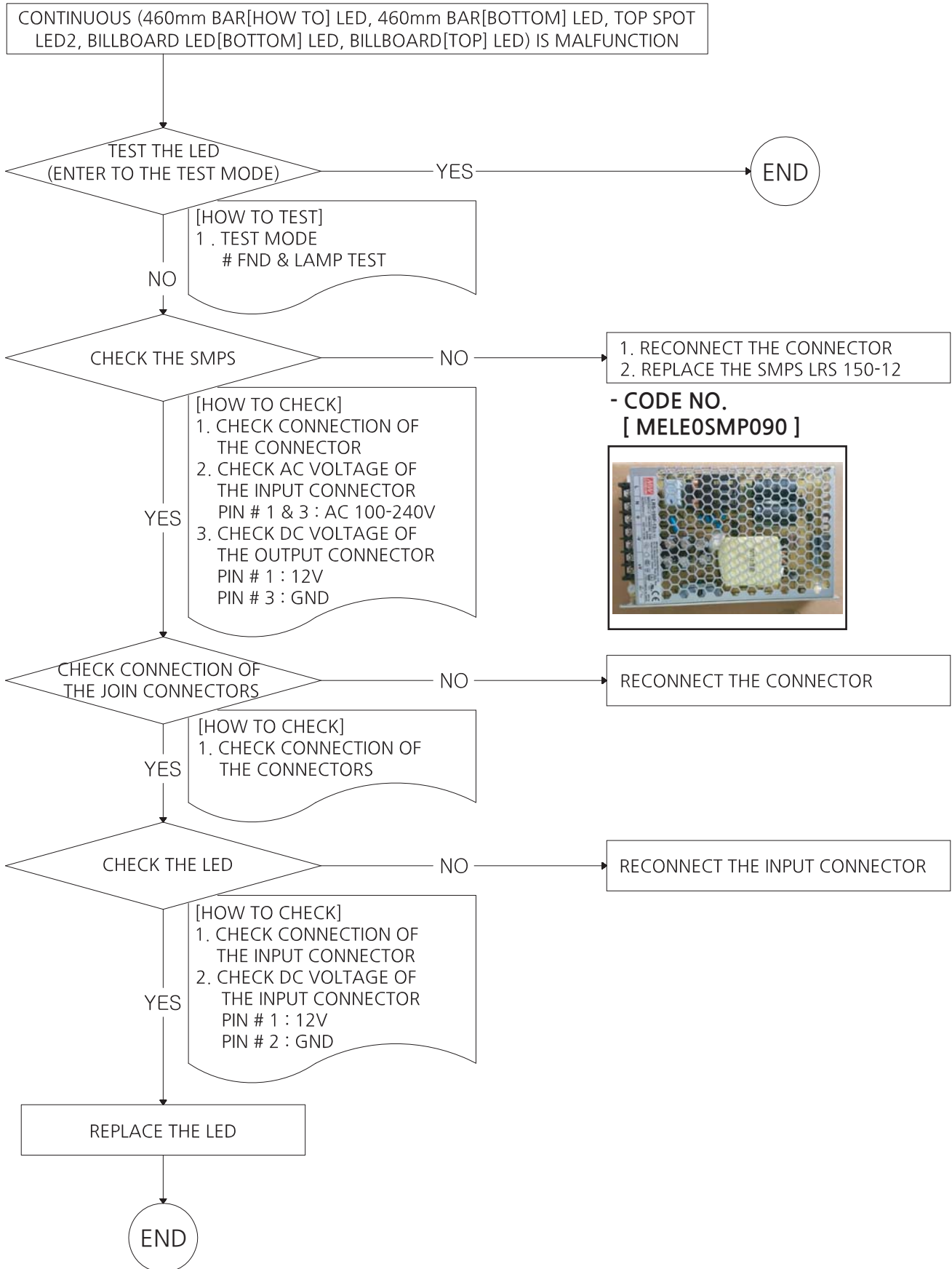


- CODE NO.  
[ ABAP0ASS005 ]



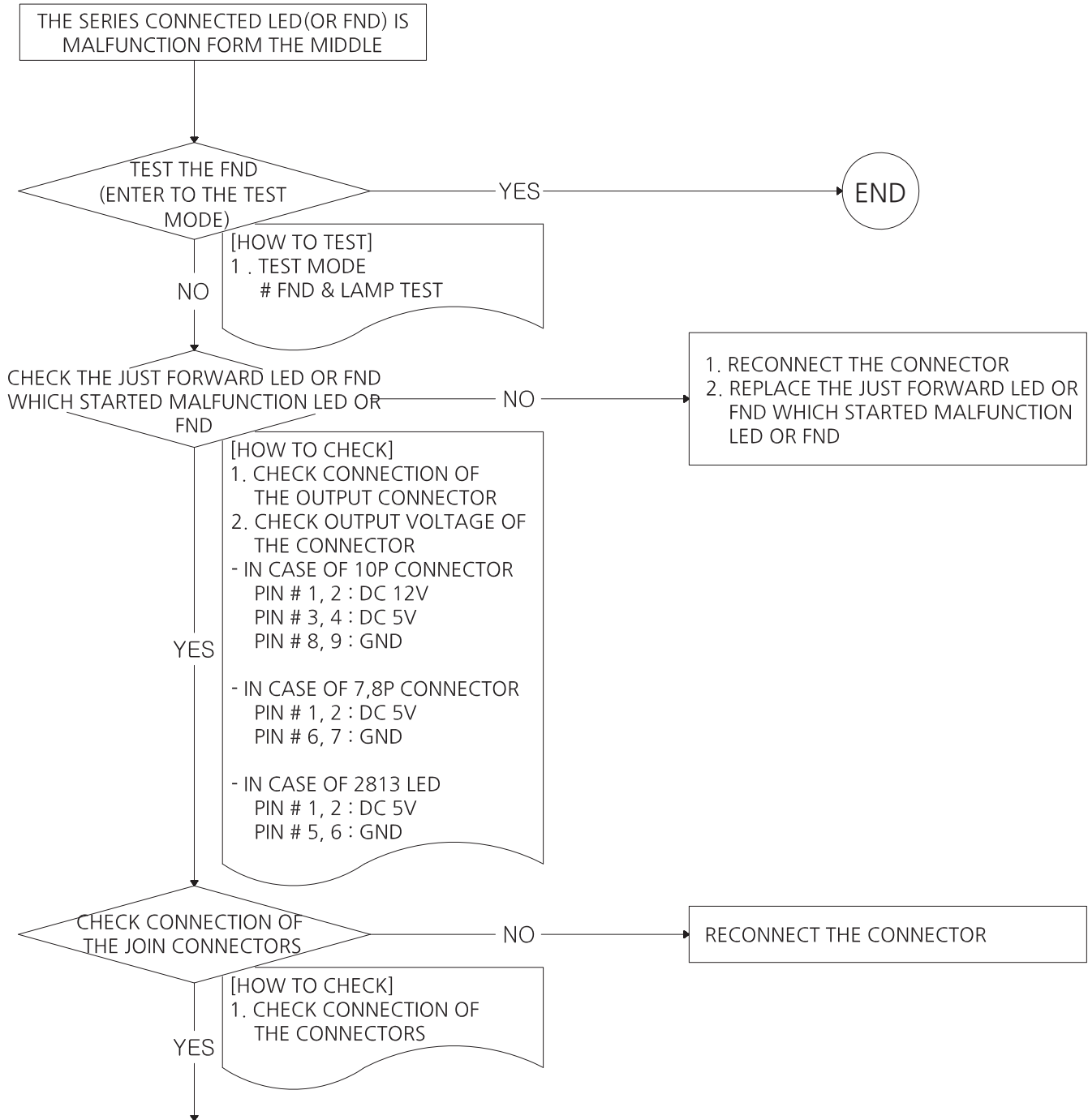
\* General check up : Check the supply voltage and wiring connection properly  
 \* "NO" : Means faulty of the check up result.

### 3-14. CONTINUOUS LED ERROR

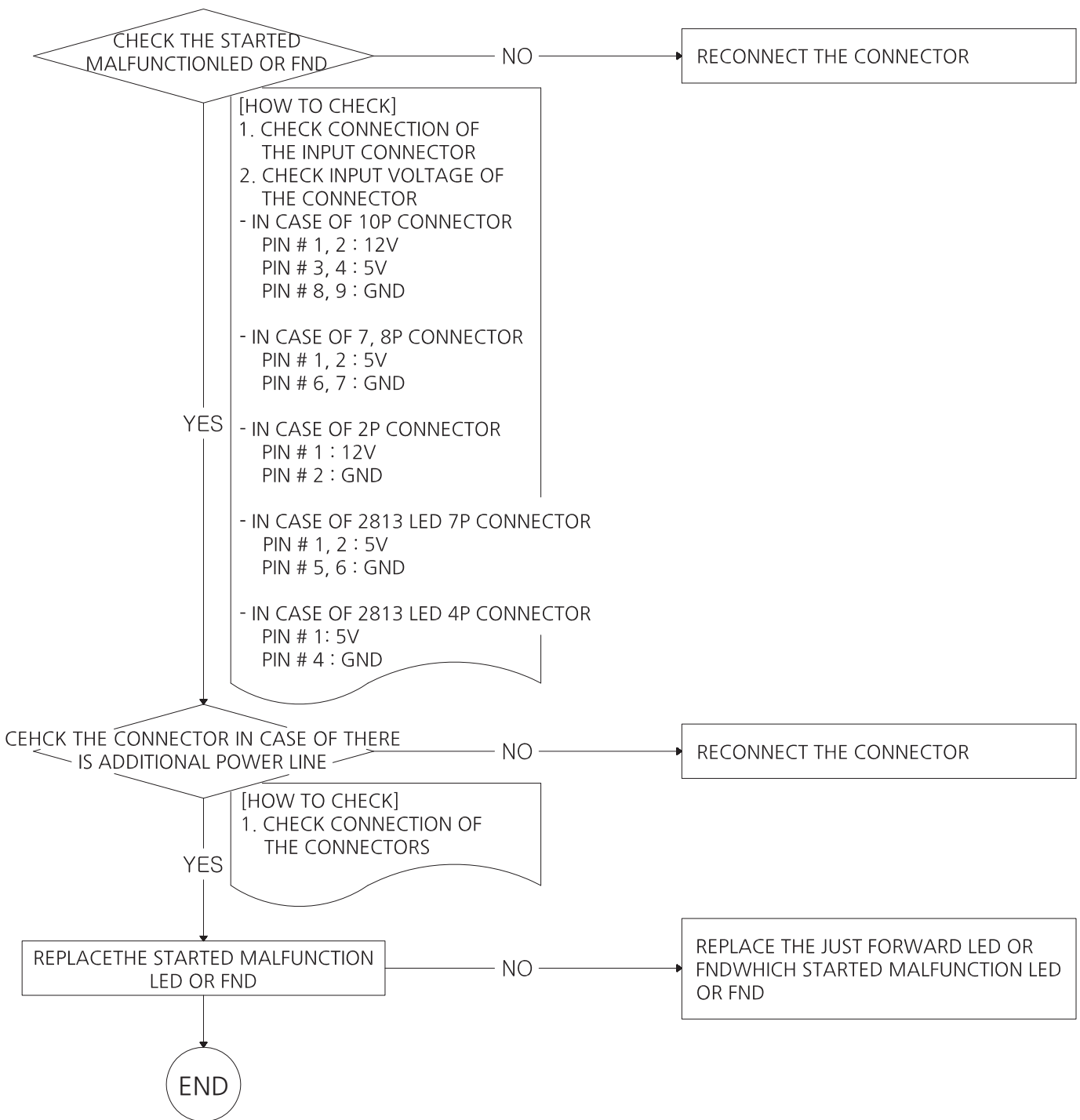


\* General check up : Check the supply voltage and wiring connection properly  
 \* "NO" : Means faulty of the check up result.

### 3-15. SERIES LED OR FND ERROR

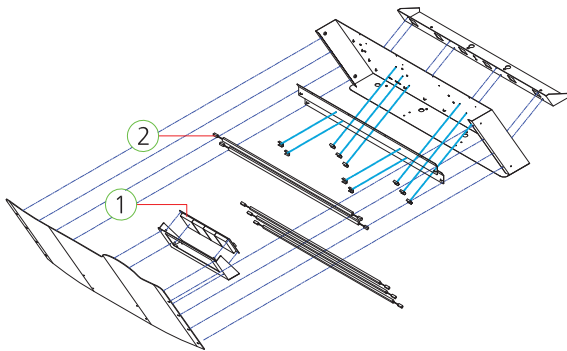




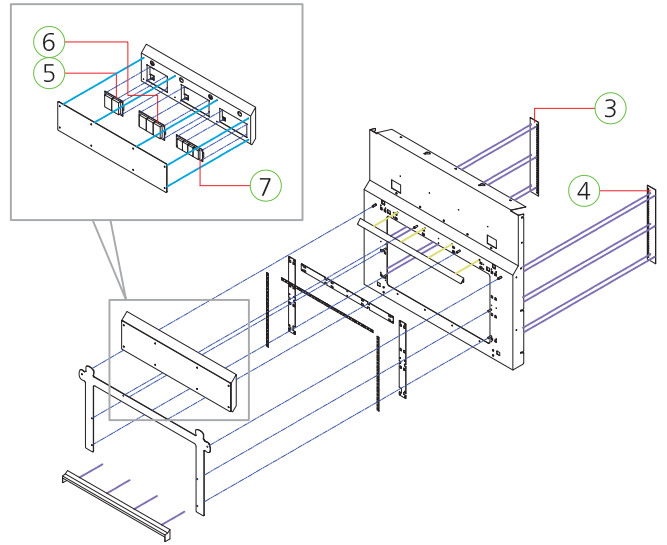


# [ 4. PART LIST ]

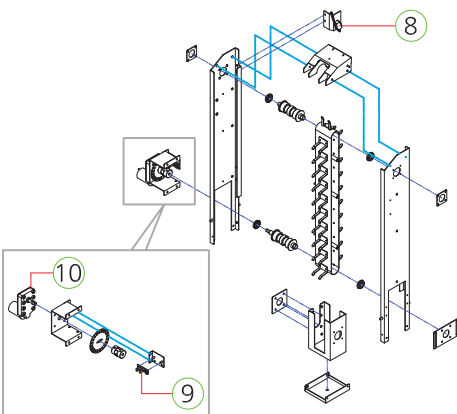
- BILLBOARD PART



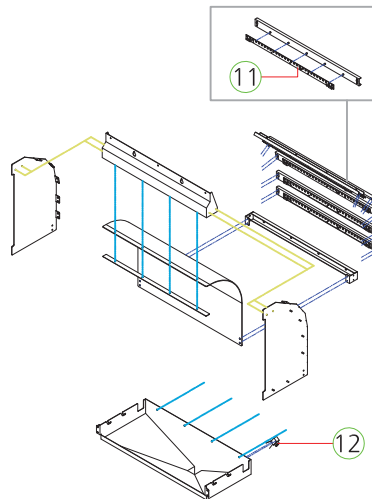
- GOALPOST PART



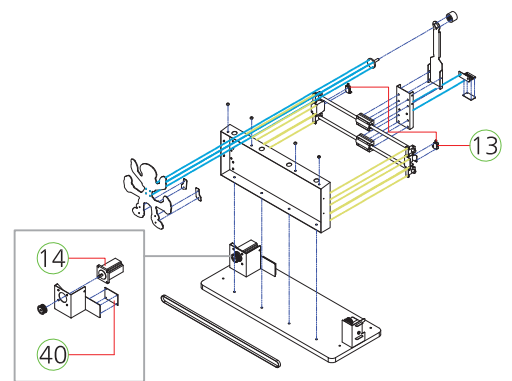
- ELEVATOR\_TOTAL PART



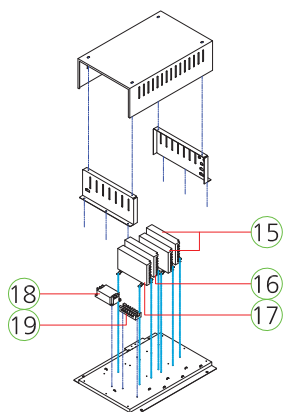
- GOAL NET PART



- GOALKEEPER PART



- SMPS POWER PART



BILLBOARD DECO PART

GOAL NET PART

GOAL POST PART

GOALKEEPER PART

GROUND PANEL PART

ELEVATOR\_TOTAL PART

FRONT DOOR PART

SERVICE PANEL PART

TICKET DOOR PART

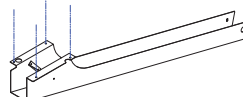
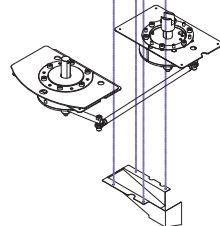
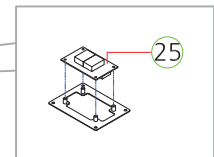
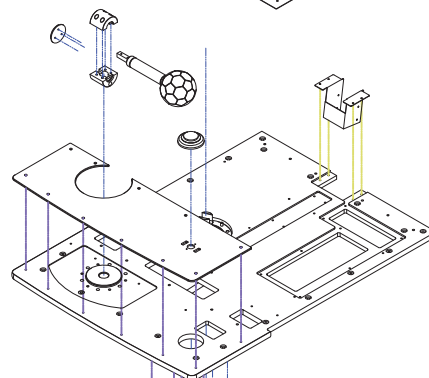
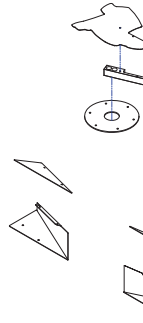
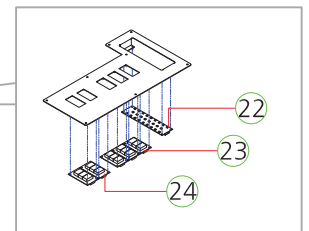
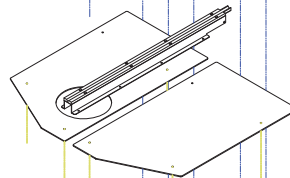
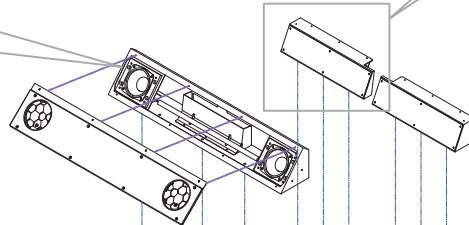
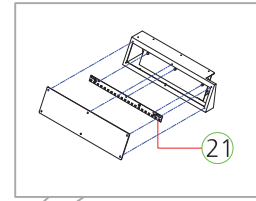
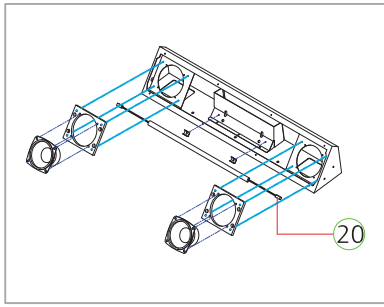
AMP PCB PART

AC INPUT PART

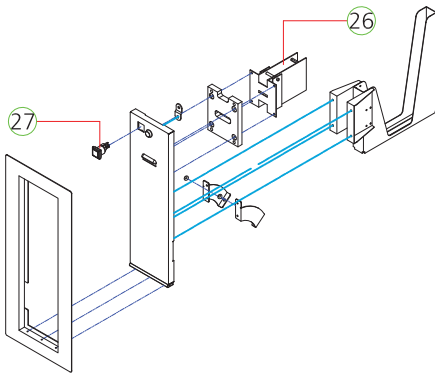
SMPS POWER PART

MAIN PCB PART

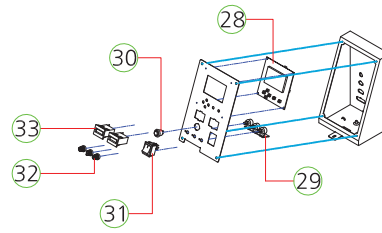
- GROUND PANEL PART



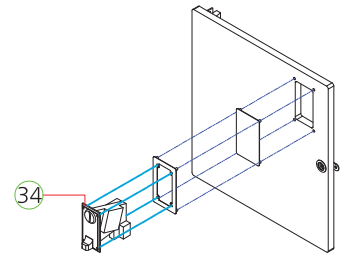
- TICKET DOOR PART



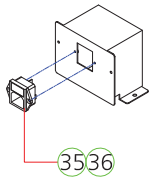
- SERVICE PANEL PART



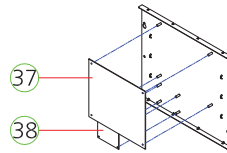
- FRONT DOOR PART



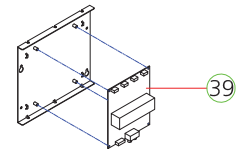
- AC INPUT PART









- MAIN PCB PART











- AMP PCB PART









|  |   |   |  |   |   |
|--|---|---|--|---|---|
| 1  | 2   | 3   | 4  | 5   | 6   |
|  |  |  |  |  |  |
| AFND0PCB011  | AZZZ0PCB165   | ASBS0PCB002   | AFCU0PCB001  | AFND0PCB031   | AFND0PCB032   |

|  |   |   |  |   |   |
|--|---|---|--|---|---|
| 7  | 8   | 9   | 10   | 11  | 12  |
|  |  |  |  |  |  |
| AFND0PCB004  | MZZZ0000170   | AZZZ0PCB103   | MZZZ0MOT115  | APLX0PCB006   | MELE0MIC002   |





|   |  |  |   |  |  |
|---|--|--|---|--|--|
| 13  | 14   | 15   | 16  | 17   | 18   |
|  |  |  |  |  |  |
| MELE0MIC021   | MZZZ0MOT131  | MELE0SMP085  | MELE0SMP090   | MELE0SMP096  | MELE0NOI009  |

|  |   |   |  |   |   |
|--|---|---|--|---|---|
| 19   | 20  | 21  | 22   | 23  | 24  |
|  |  |  |  |  |  |
| MELE0TEB003  | AZZZ0PCB124   | APLX0PCB008   | ABAP0PCB008  | AFND0PCB028   | AFND0PCB025   |

|  |   |   |  |   |   |
|--|---|---|--|---|---|
| 25   | 26  | 27  | 28   | 29  | 30  |
|  |  |  |  |  |  |
| AFND0PCB001  | MZZZ0TID010   | MMUM0BUT002   | AZZZ0PCB113  | APUJ0PCB005   | MELE0PUS006   |

|  |   |   |  |   |   |
|--|---|---|--|---|---|
| 31   | 32  | 33  | 34   | 35  | 36  |
|  |  |  |  |  |  |
| MELE0SWI021  | MELE0VOL007   | MZZZ0COU002   | MZZZ0COS052  | MELE0SWI015   | MELE0FUS018   |

| NO. | PIC | PART NAME                       | SPEC.                            | QTY | CODE NO.    | WARRANTY |          |
|-----|-----|---------------------------------|----------------------------------|-----|-------------|----------|----------|
|     |     |                                 |                                  |     |             | 6 Month  | One Year |
| ①   | ○   | FND PCB ASS'Y                   | 6390-4 (STRAIGHT)                | 1   | AFND0PCB011 |          | ○        |
| ②   | ○   | LED BAR 12V ASS'Y               | 710mm                            | 5   | AZZZ0PCB165 |          |          |
| ③   | ○   | SENSOR PCB ASS'Y-B              | RECEIVER                         | 1   | ASBS0PCB002 |          | ○        |
| ④   | ○   | SENSOR PCB ASS'Y-A              | EMITTER                          | 1   | AFCU0PCB001 |          | ○        |
| ⑤   | ○   | FND PCB ASS'Y                   | 3856-2-2C (STRAIGHT)             | 1   | AFND0PCB031 |          | ○        |
| ⑥   | ○   | FND PCB ASS'Y                   | 3856-2-2C (STRAIGHT)             | 1   | AFND0PCB032 |          | ○        |
| ⑦   | ○   | FND PCB ASS'Y                   | 2941-4 (STRAIGHT)                | 1   | AFND0PCB004 |          | ○        |
| ⑧   | ○   | MICRO SWITCH                    | SZM_V6_FA_11A9227 DP             | 1   | MZZZ0000170 |          |          |
| ⑨   | ○   | PHOTO-INT1 PCB ASS'Y            | ANGLE TYPE                       | 1   | AZZZ0PCB103 |          | ○        |
| ⑩   | ○   | MOTOR                           | KGE-0182-ND3657U1<br>DC12V 27RPM | 1   | MZZZ0MOT115 | ○        |          |
| ⑪   | ○   | WS2813B LED PCB 30EA-L ASS'Y    | -                                | 5   | APLX0PCB006 |          | ○        |
| ⑫   | ○   | MICRO SWITCH                    | CNR-05H-03                       | 1   | MELE0MIC002 |          |          |
| ⑬   | ○   | MICRO SWITCH                    | GSMV1651A2                       | 2   | MELE0MIC021 |          |          |
| ⑭   | ○   | STEPPING MOTOR                  | 4S60Q-04285S                     | 1   | MZZZ0MOT131 | ○        |          |
| ⑮   | ○   | POWER SMPS                      | LRS-150F-24V                     | 2   | MELE0SMP085 |          | ○        |
| ⑯   | ○   | POWER SMPS                      | LRS-150F-12V                     | 1   | MELE0SMP090 |          | ○        |
| ⑰   | ○   | POWER SMPS                      | LRS-150F-5V                      | 1   | MELE0SMP096 |          | ○        |
| ⑱   | ○   | NOISE FILTER                    | RNS-2010                         | 1   | MELE0NOI009 |          |          |
| ⑲   | ○   | TERMINAL BLOCK                  | 250V, 10P                        | 1   | MELE0TEB003 |          |          |
| ⑳   | ○   | LED BAR 12V ASS'Y               | 460mm                            | 1   | AZZZ0PCB124 |          |          |
| ㉑   | ○   | WS2813B LED PCB 21EA-R ASS'Y    | -                                | 1   | APLX0PCB008 |          | ○        |
| ㉒   | ○   | SPOT LED PCB ASS'Y              | WHITE                            | 1   | ABAP0PCB008 |          | ○        |
| ㉓   | ○   | FND PCB ASS'Y                   | 2029-3 (STRAIGHT)                | 3   | AFND0PCB028 |          | ○        |
| ㉔   | ○   | FND PCB ASS'Y                   | 2029-3-2 (STRAIGHT)              | 2   | AFND0PCB025 |          | ○        |
| ㉕   | ○   | FND PCB ASS'Y                   | 2029-2 (STRAIGHT)                | 1   | AFND0PCB001 |          | ○        |
| ㉖   | ○   | TICKET DISPENSER                | -                                | 1   | MZZZ0TID010 |          |          |
| ㉗   | ○   | BUTTON SWITCH                   | AM1PB-26SH R12D                  | 1   | MMUM0BUT002 |          |          |
| ㉘   | ○   | SETUP LCD PCB ASS'Y             | -                                | 1   | AZZZ0PCB113 |          | ○        |
| ㉙   | ○   | VOLUME PCB ASS'Y                | 3CH                              | 1   | APUJ0PCB005 |          | ○        |
| ㉚   | ○   | PUSH BUTTON SWITCH              | DS 412R                          | 1   | MELE0PUS006 |          |          |
| ㉛   | ○   | ROCKER SWITCH                   | R595KDF                          | 1   | MELE0SWI021 |          |          |
| ㉜   | ○   | VOLUME KNOB                     | -                                | 3   | MELE0VOL007 |          |          |
| ㉝   | ○   | COUNTER                         | OA127CL                          | 2   | MZZZ0COU002 |          |          |
| ㉞   | ○   | COIN SELECTOR                   | TW-389                           | 1   | MZZZ0COS052 |          |          |
| ㉟   | ○   | AC INPUT                        | DAC-13H                          | 1   | MELE0SWI015 |          |          |
| ㊱   | ○   | FUSE                            | 0218010.<br>MXP 250V,10A,4PA     | 2   | MELE0FUS018 |          |          |
| ㊲   | ○   | BASEBALL PRO IO PCB ASS'Y       | -                                | 1   | ABAP0ASS005 |          | ○        |
| ㊳   | ○   | WS2813B DISPLAY PCB ASS'Y       | -                                | 1   | APLX0PCB002 |          | ○        |
| ㊴   | ○   | DIGITAL AMP PCB ASS'Y           | 2.1CH                            | 1   | APUJ0PCB002 |          | ○        |
| ㊵   | ○   | STEPPING MOTOR DRIVER PCB ASS'Y | TB6560AHQ_40V_3.5A               | 1   | ASBS0PCB001 |          | ○        |

| 37   | 38  | 39  | 40   |
|--|---|---|--|
|  |  |  |  |
| ABAPOASS005  | APLX0PCB002   | APUJ0PCB002   | ASBS0PCB001  |