

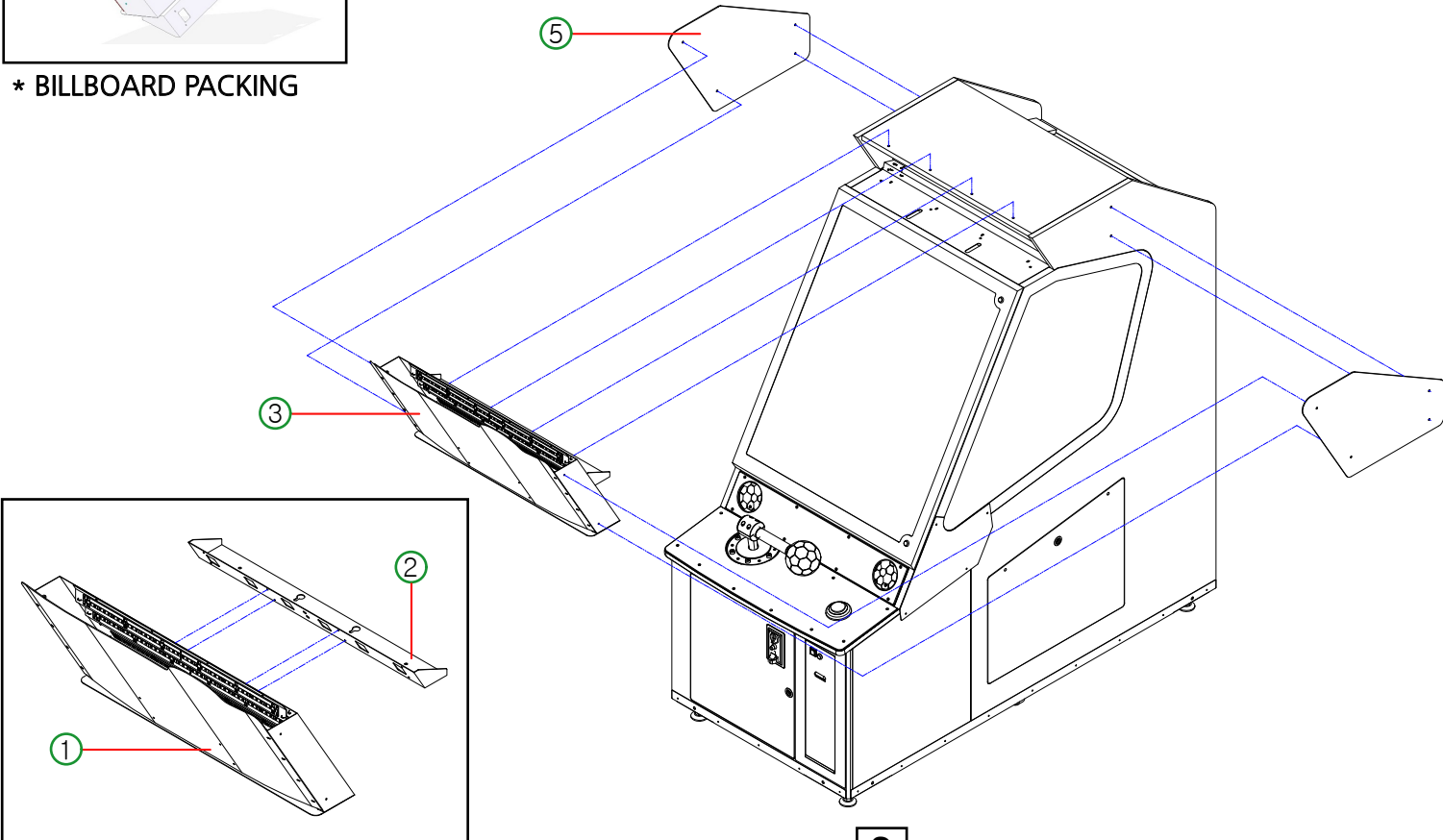
# HOW TO INSTALL BILLBOARD & SIDE PANEL

1



\* BILLBOARD PACKING

- ① The Billboard Back Fix BKT of Billboard Parts is packed as shown in the drawing
- ② Loosen one fixing hole in the Billboard Back Fix BKT and combine it as shown in ③④. And then, move it to the top of cabinet and combine Billboard Part Ass'y with cabinet
- Lastly, complete the assembly by combining ⑤ Side Deco L and R (M6 Bolt, 4 points)



2

- You complete it like picture.

