

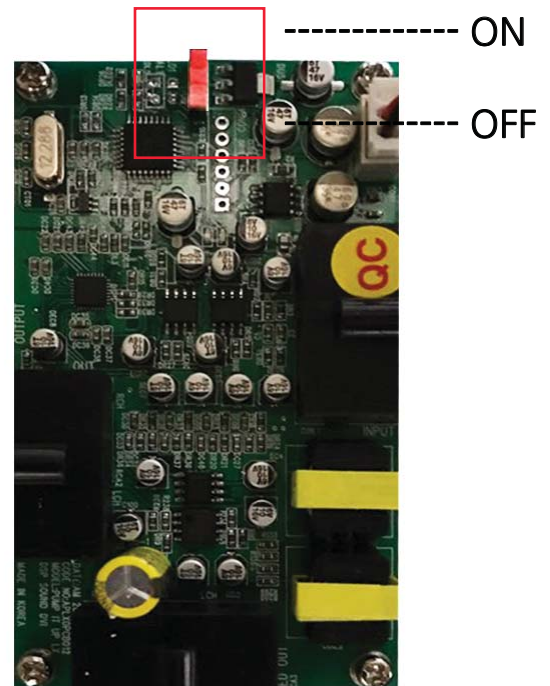


\* There might be 1 min ~ 2 mins waiting time when you power on the machine.

## [ DSP SETTING ]

- DSP SETTING : SET THE SOUND OUTPUT IN OPTIMUM CONDITION.

- \* 1. Set DSP switch to ON(Up) 
2. Enter SETUP MENU => SOUND SETTING.
3. Set game volume as 80.
4. Run DSP SETTING.
5. Wait 20 secs until end of beep sound.
6. Set DSP switch to OFF(Down) 
7. After DSP setting, set GAME VOLUME as you want.  
(Recommend setting is 90)



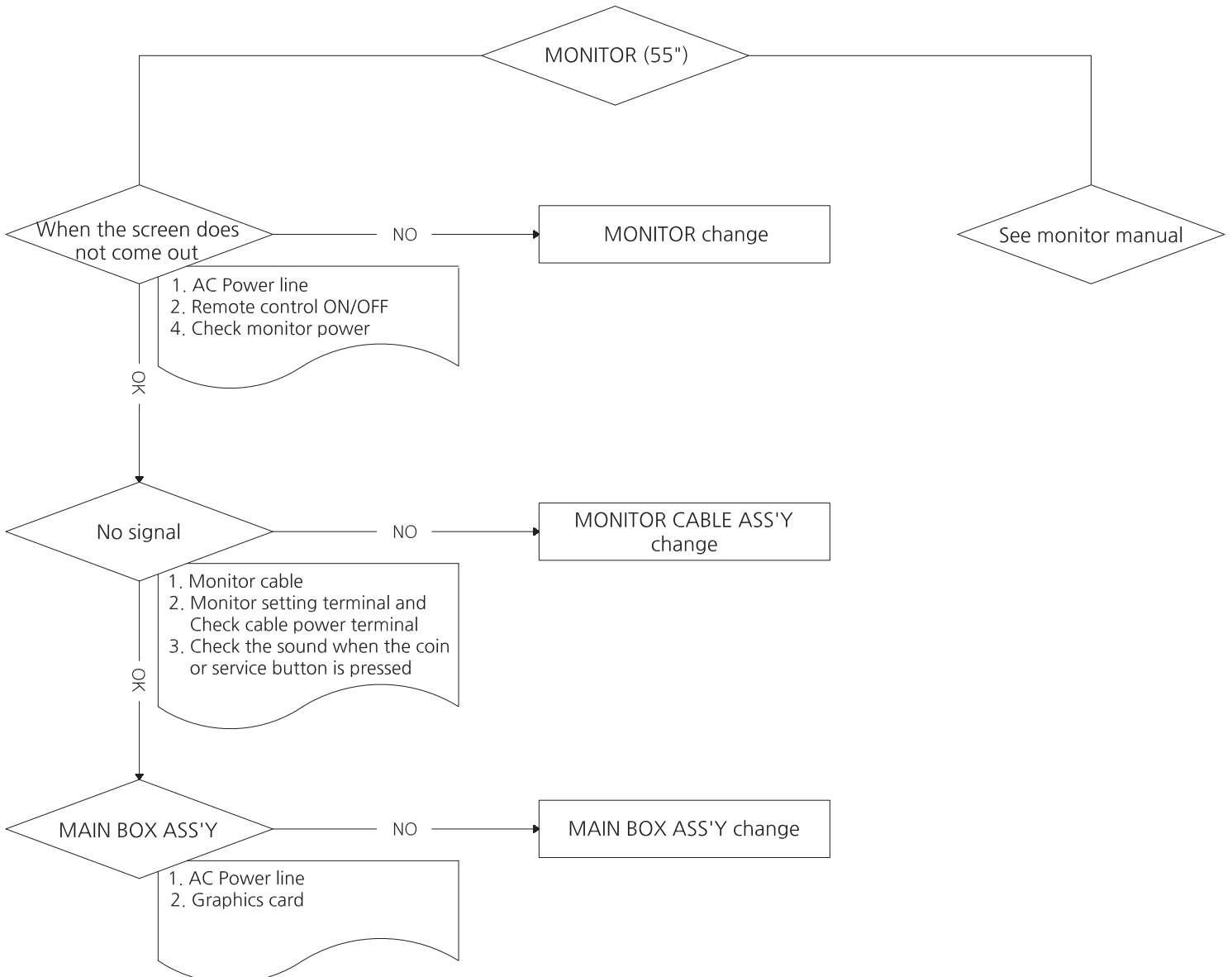
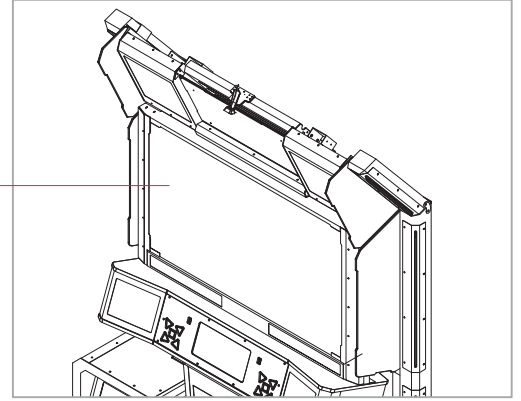
**\* ANDAMIRO WARRANTS the parts from date of shipment as follows.**

**- One Year Limited Warranty : Electronic Boards & Monitor**

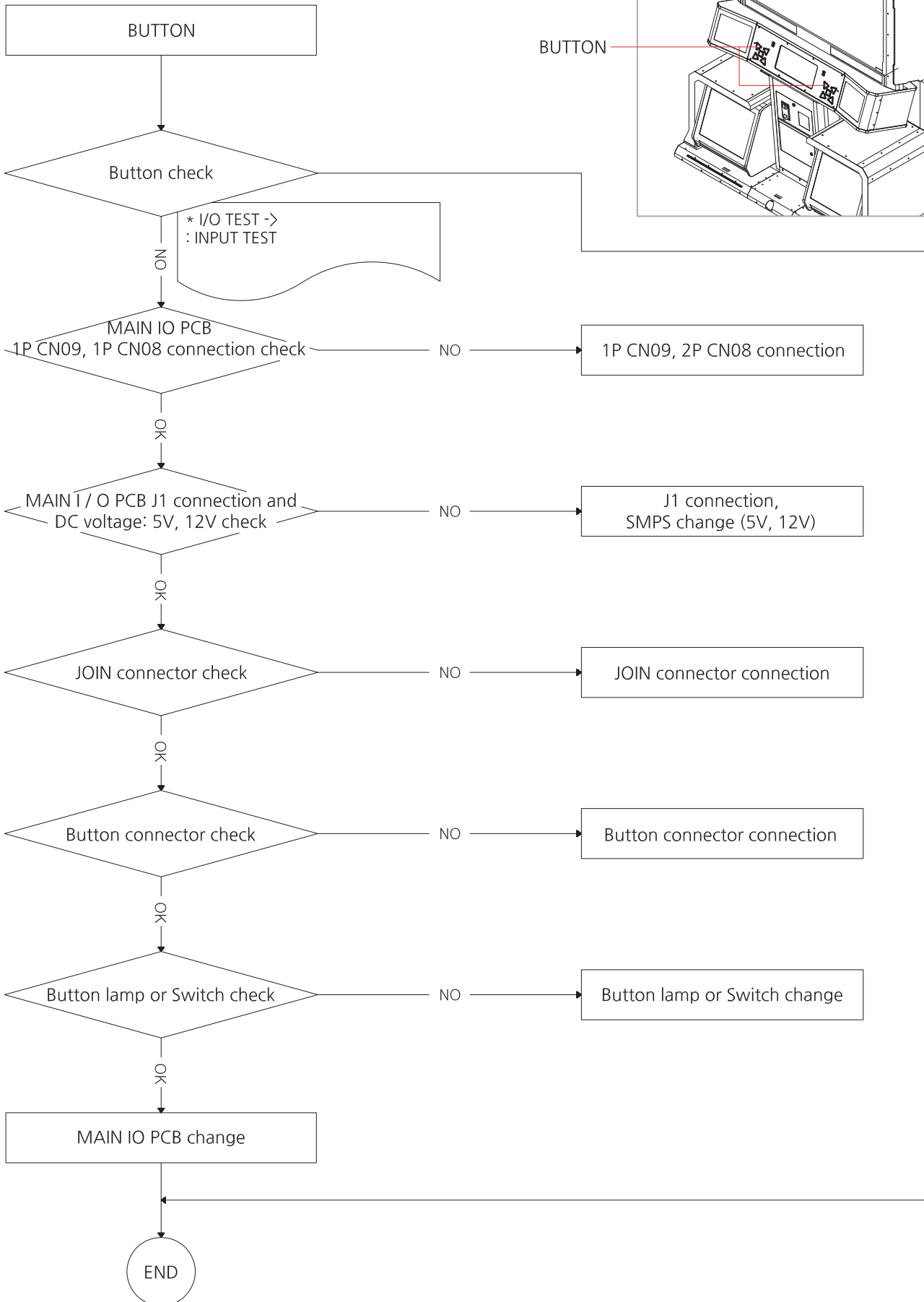
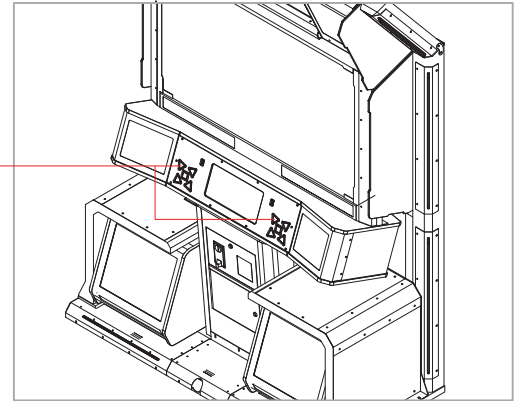
## [ TROUBLESHOOTING ]

- MONITOR

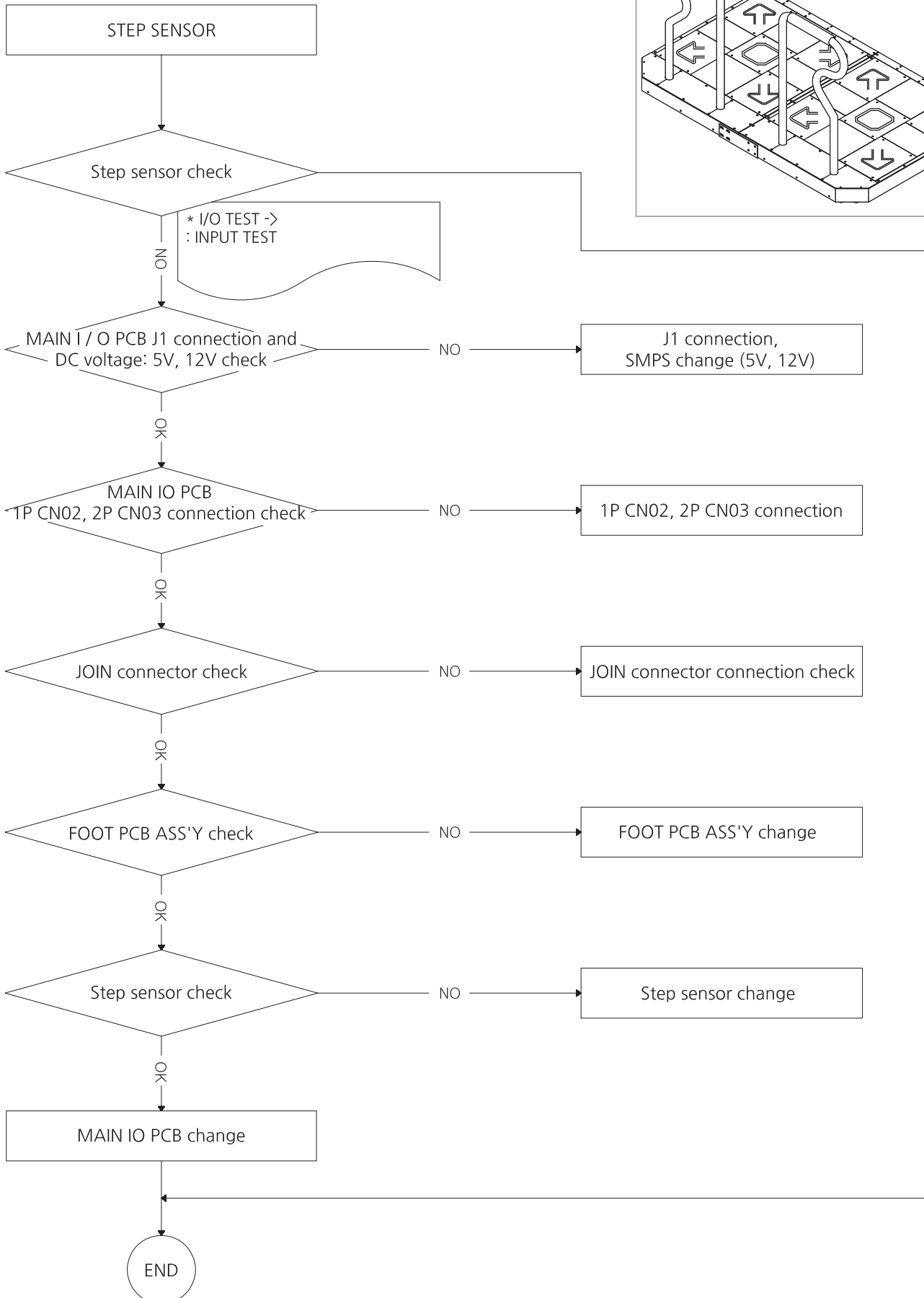
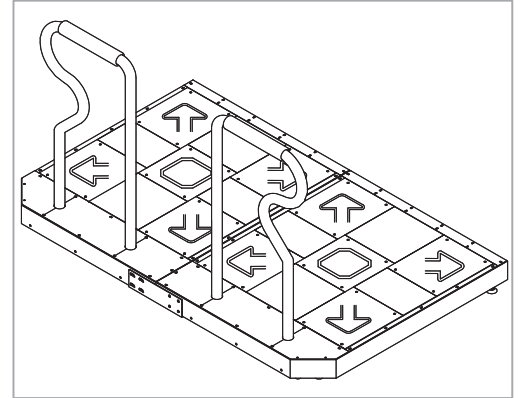
MONITOR



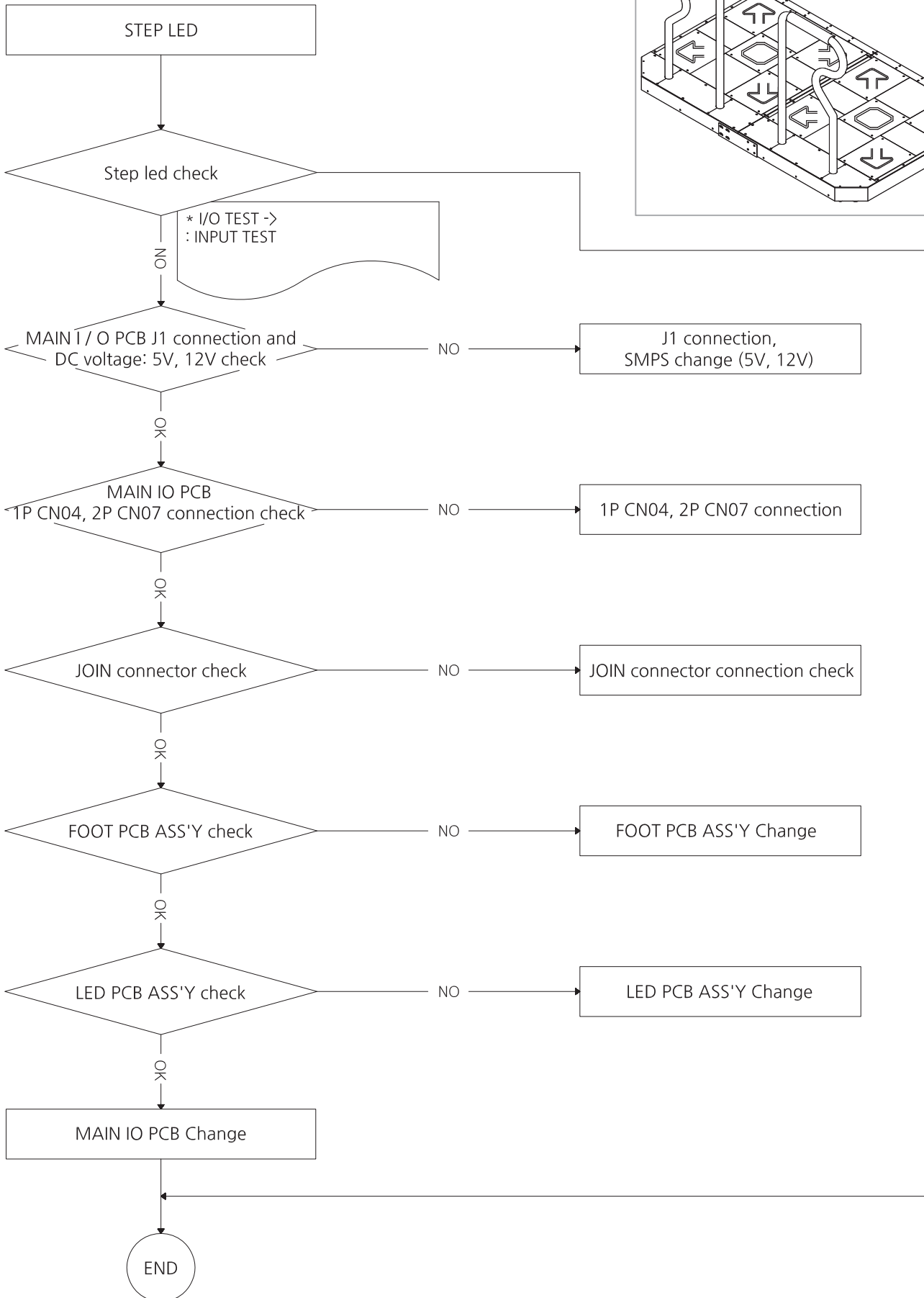
## - BUTTON



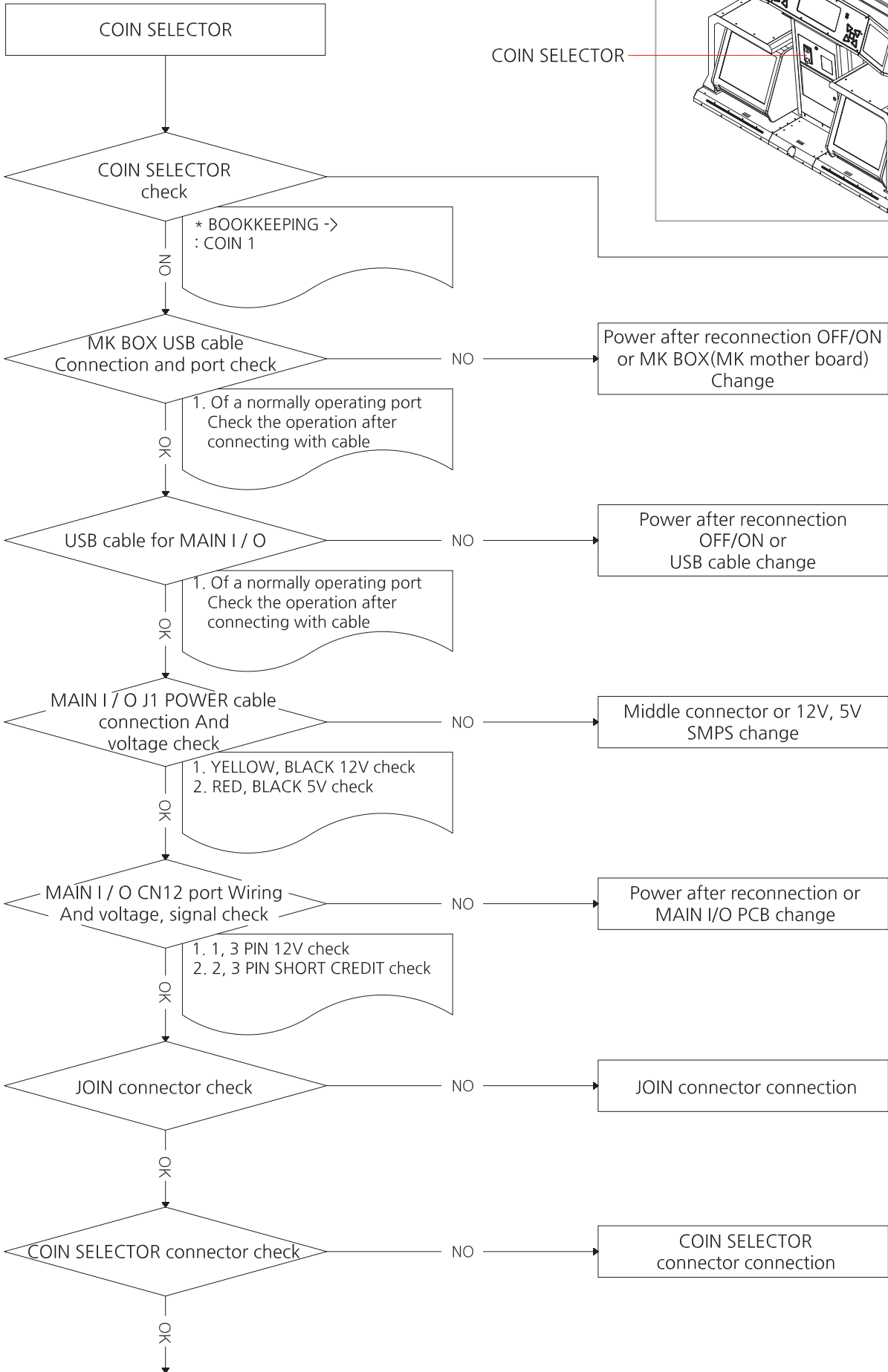
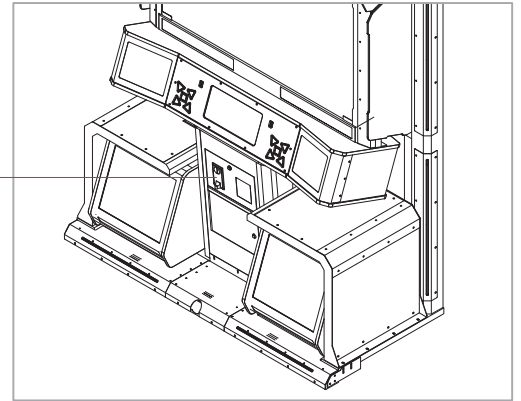
## - STEP SENSOR



## - STEP LED



## - COIN SELECTOR

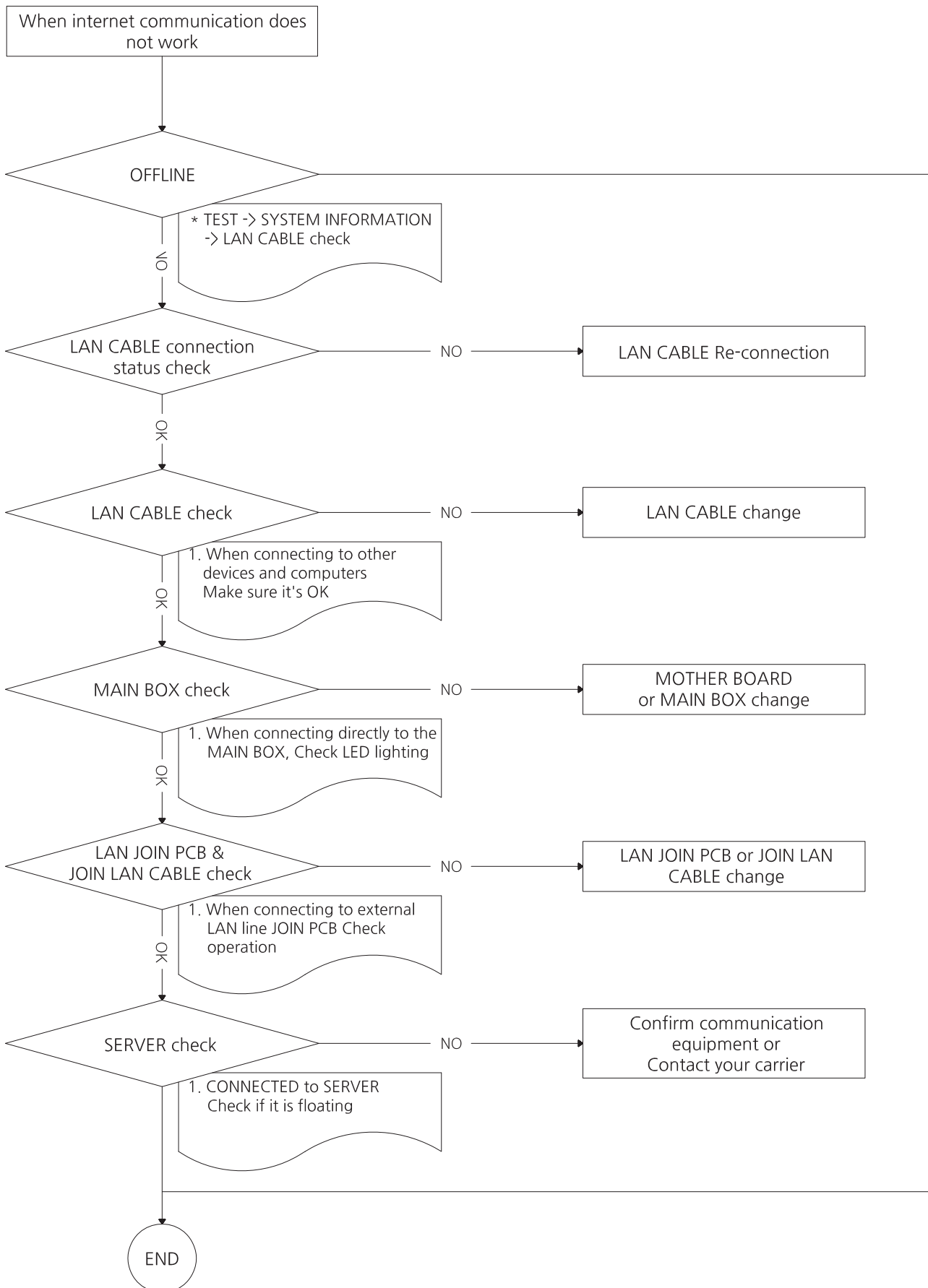


COIN SELECTOR change

END

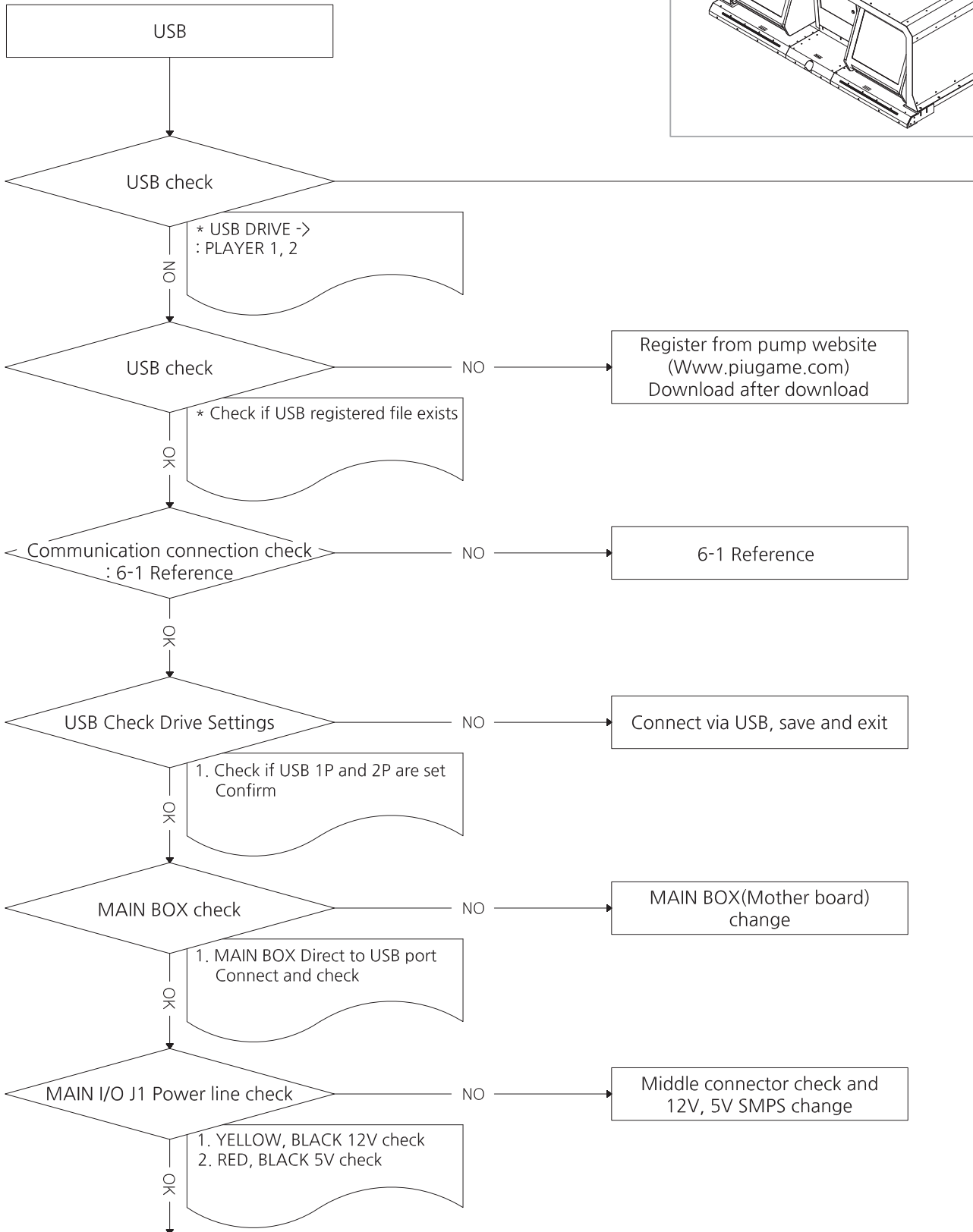
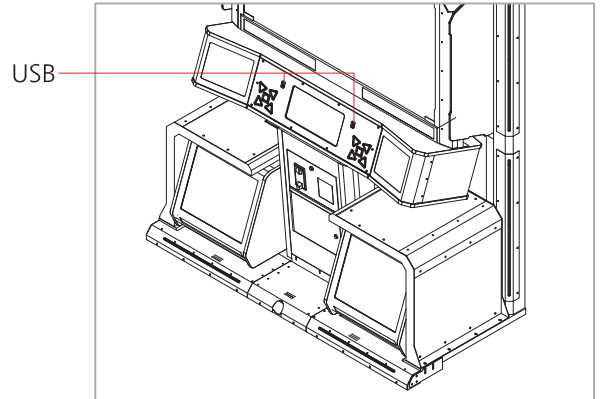


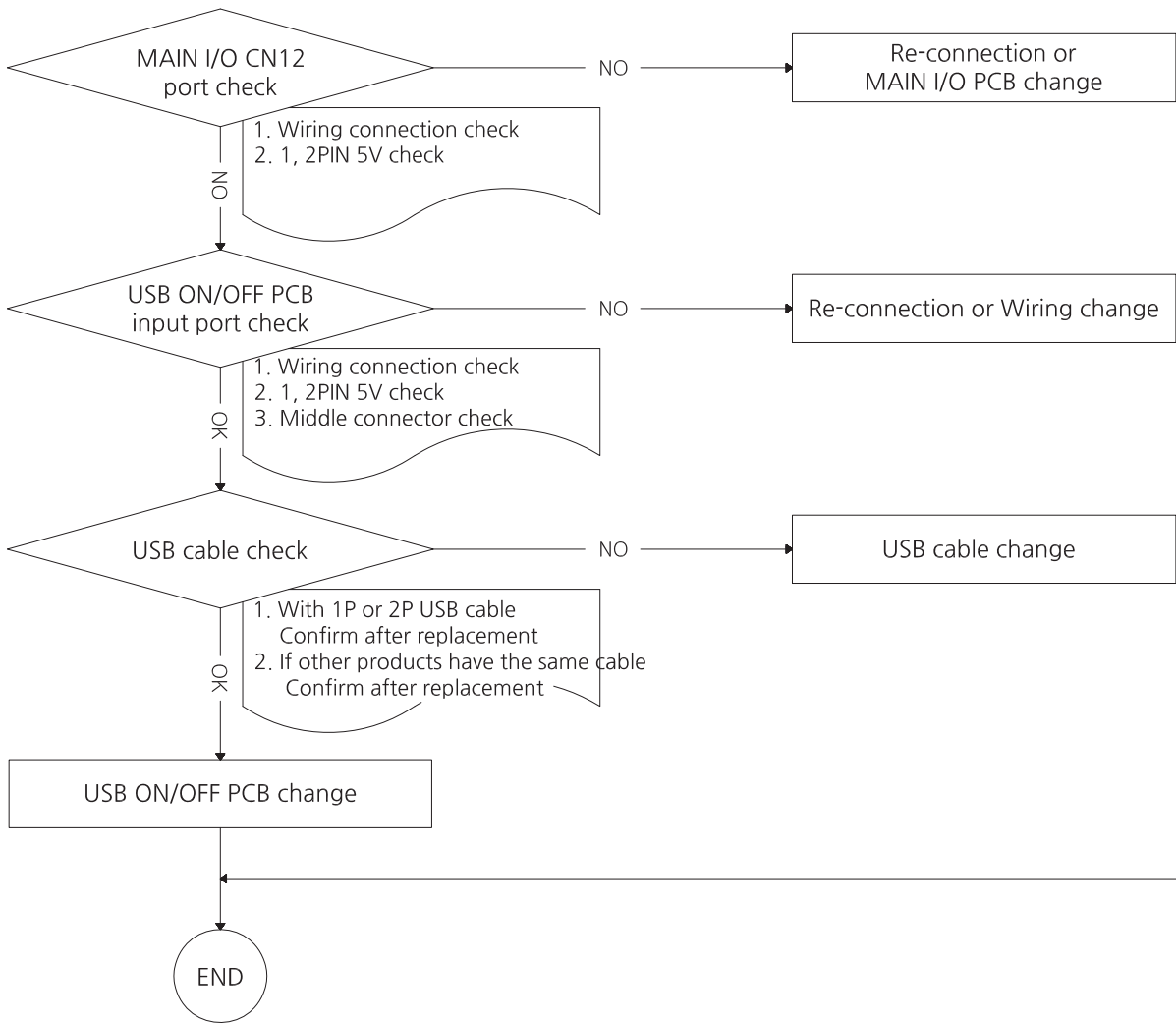
## - WHEN INTERNET COMMUNICATION DOES NOT WORK





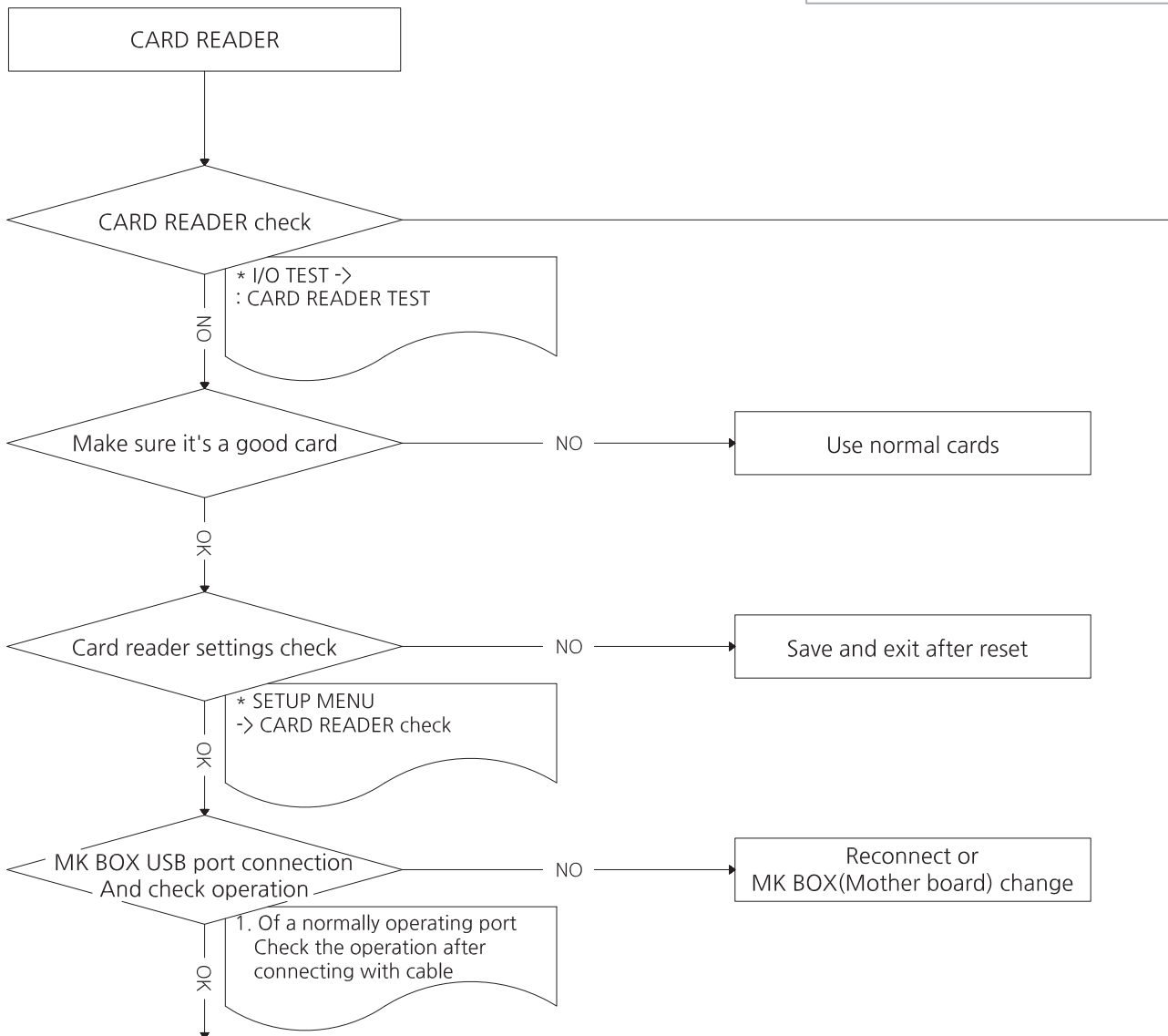
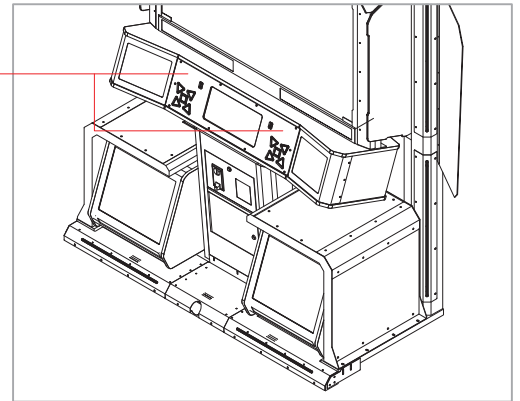
## - USB ON/OFF ERROR





## - CARD READER ERROR

CARD READER



CARD READER PCB Input wiring  
and check the connection status

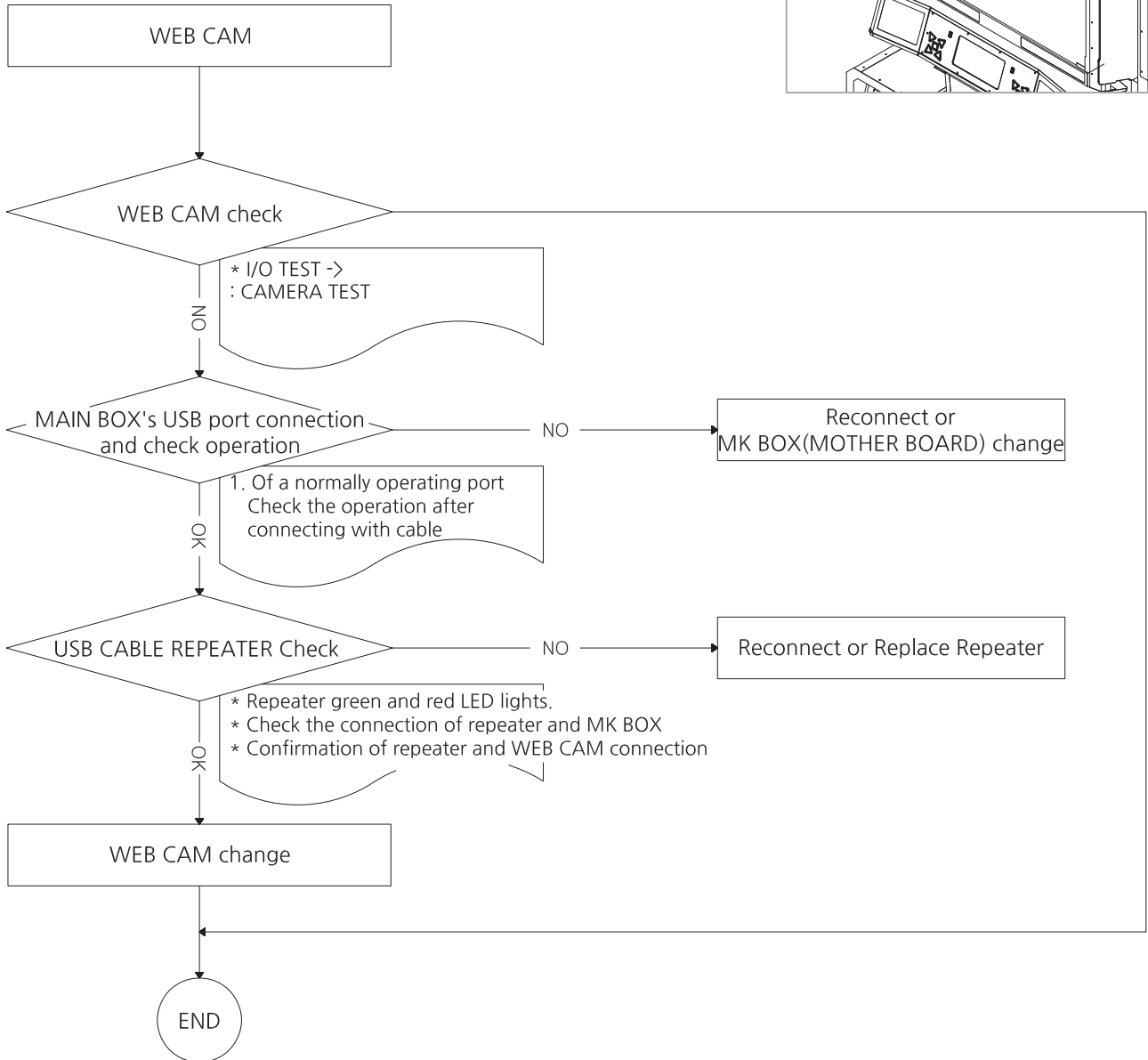
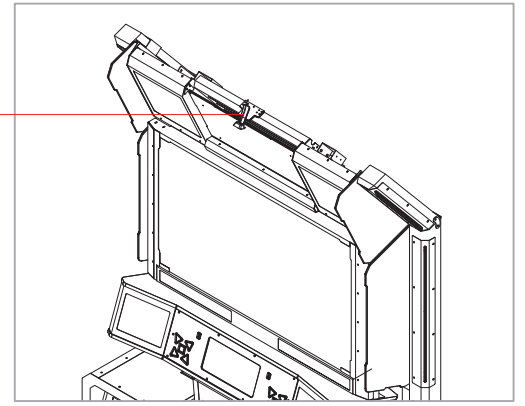
OK

CARD READER PCB change

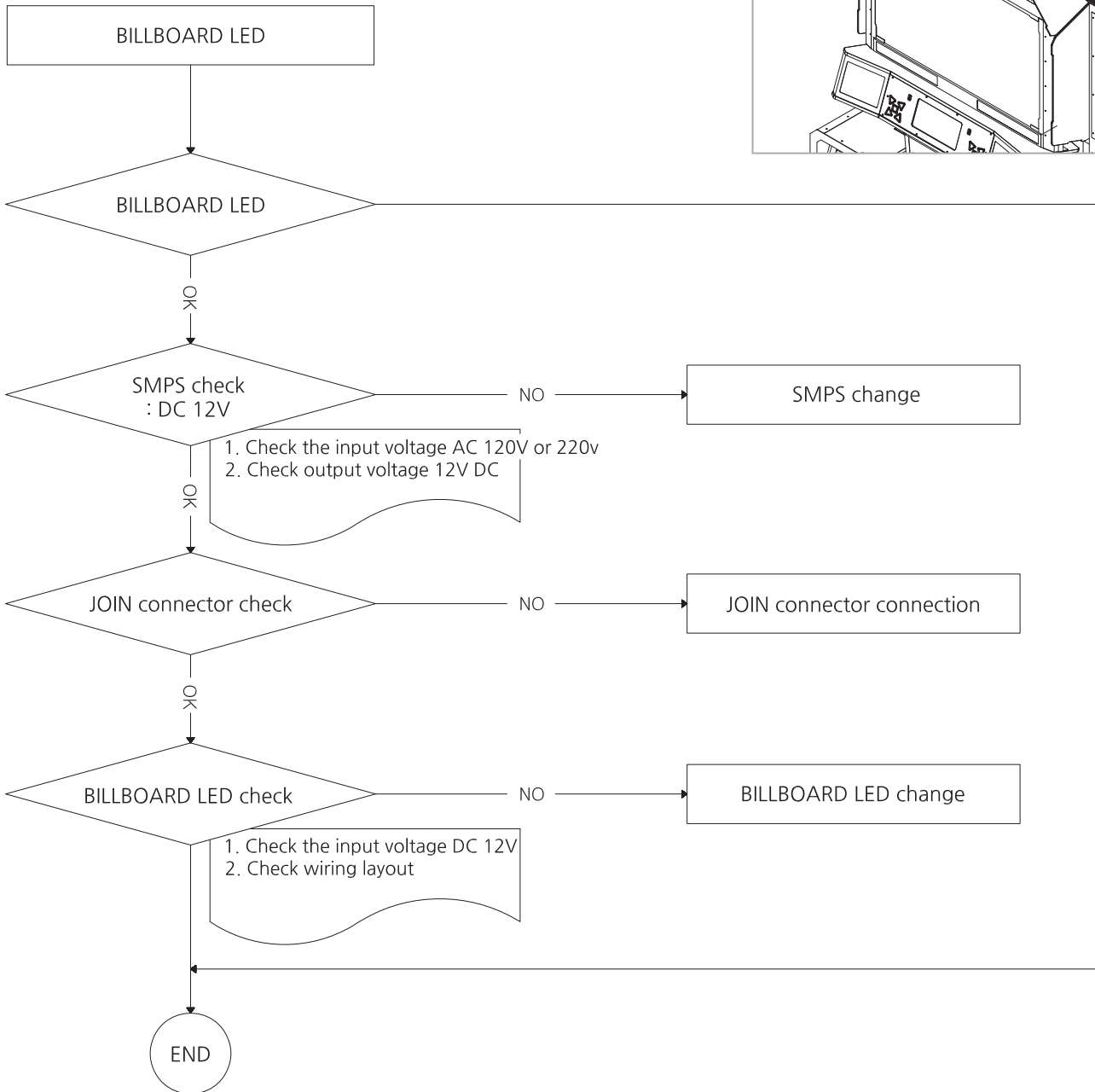
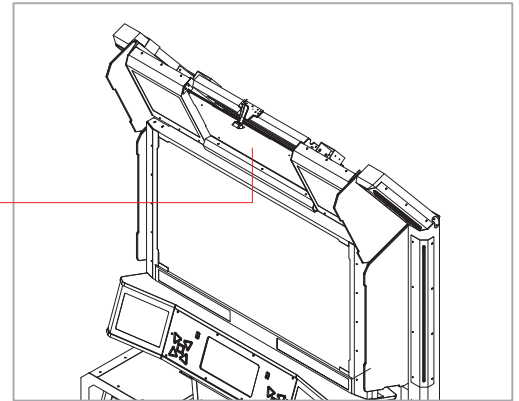
END



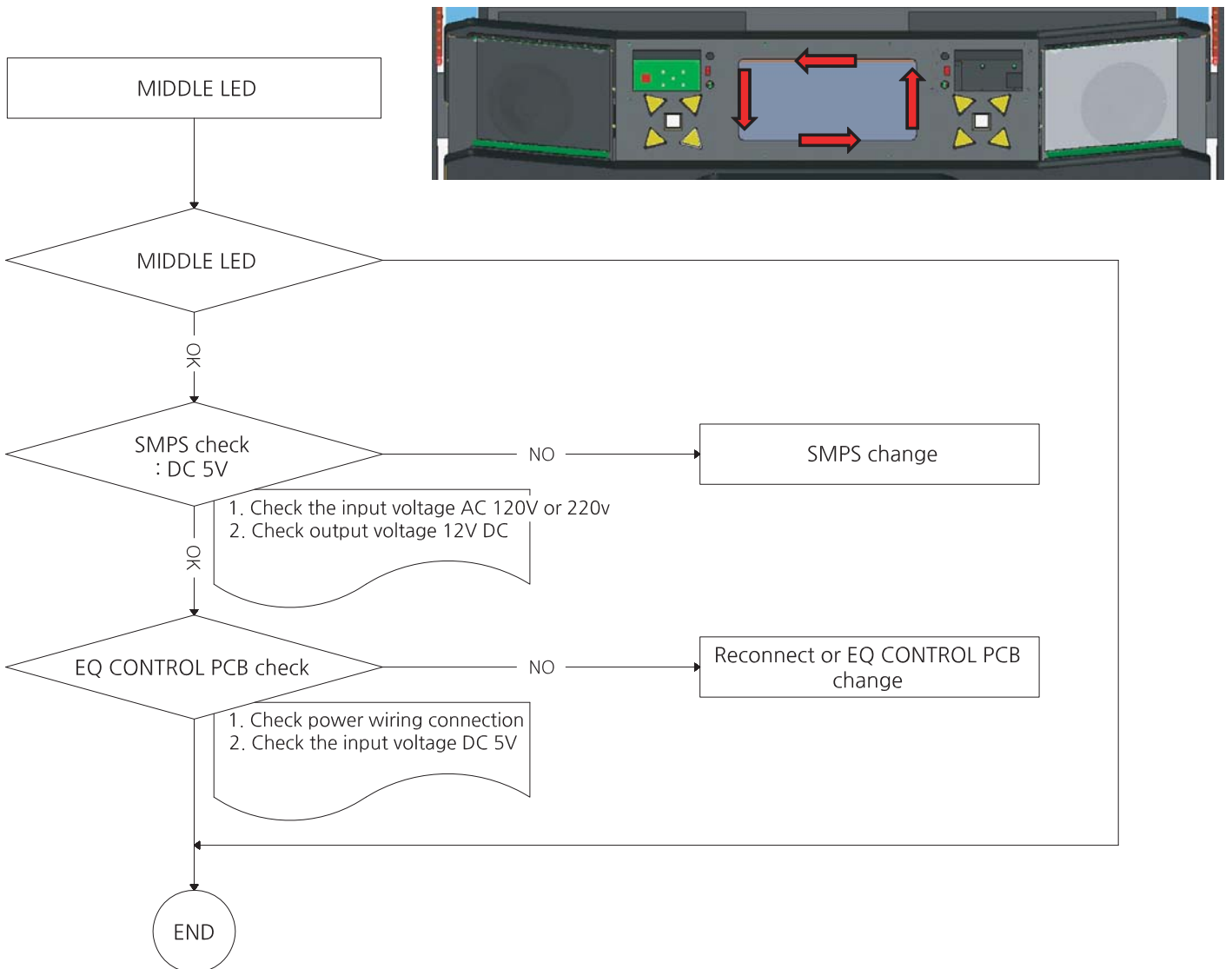
## - WEB CAM ERROR



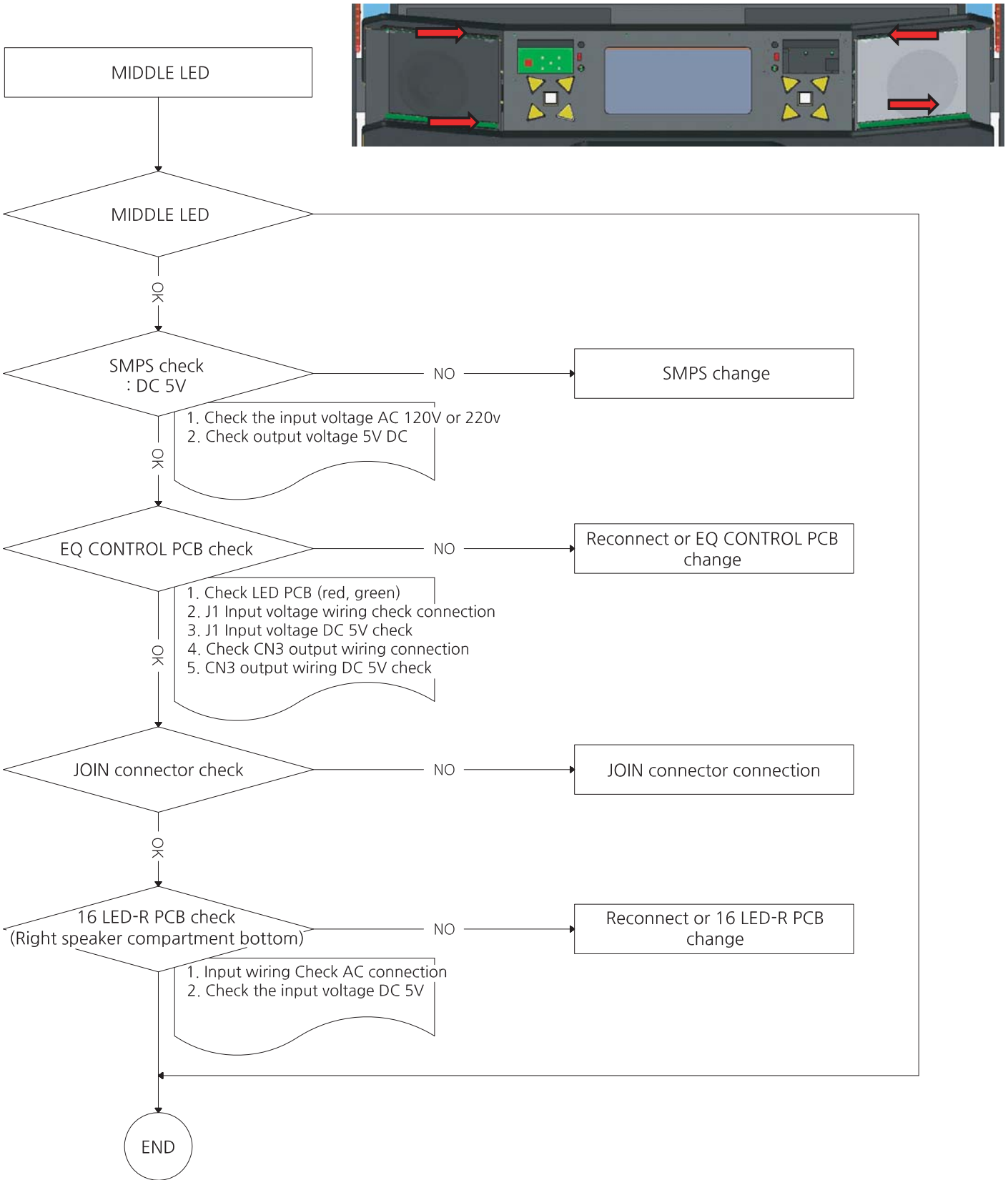
## - BILLBOARD LED ERROR



## - MIDDLE LED PCB ERROR\_CENTER (all)

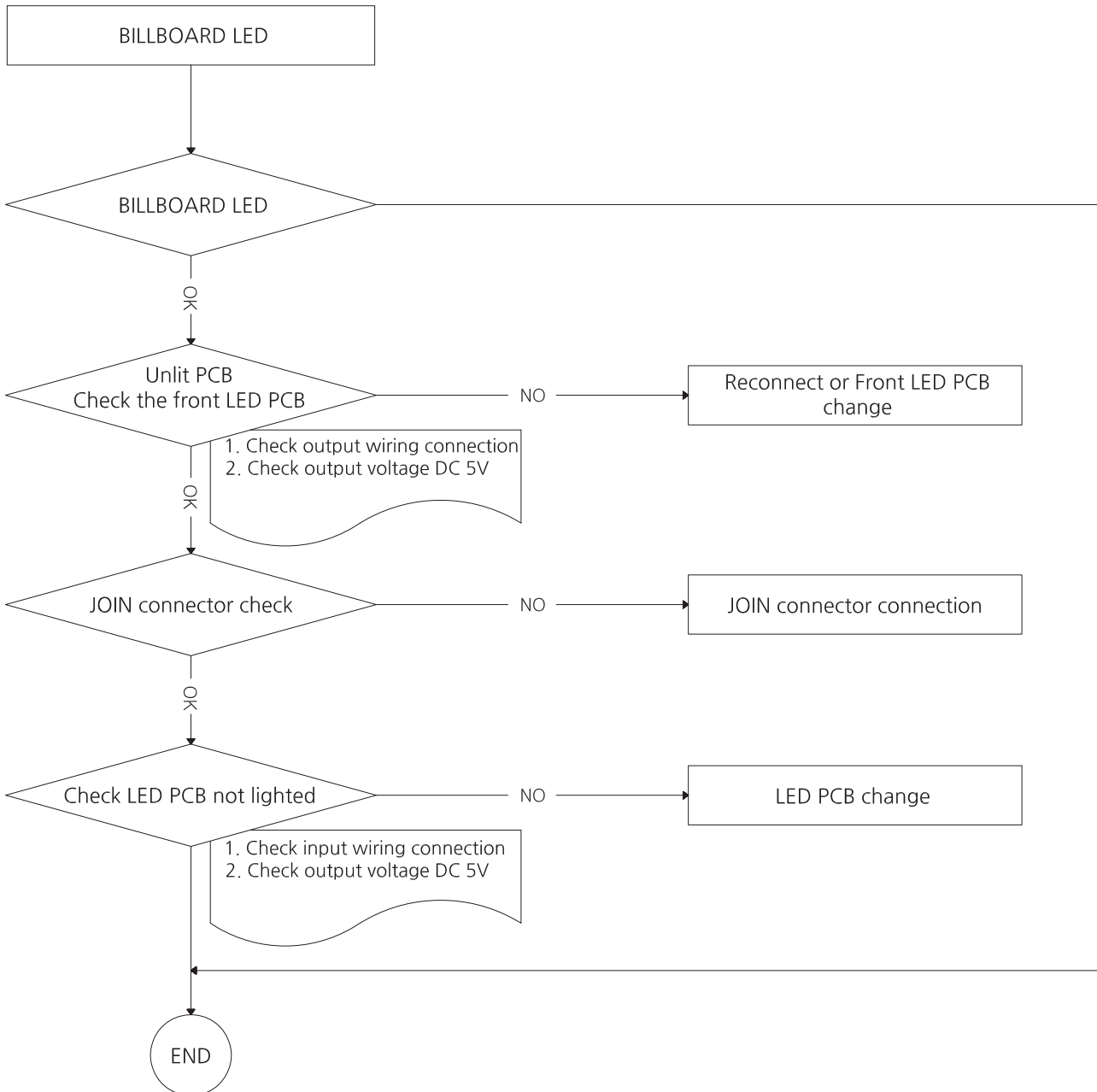


## - MIDDLE LED PCB ERROR\_L,R (all)



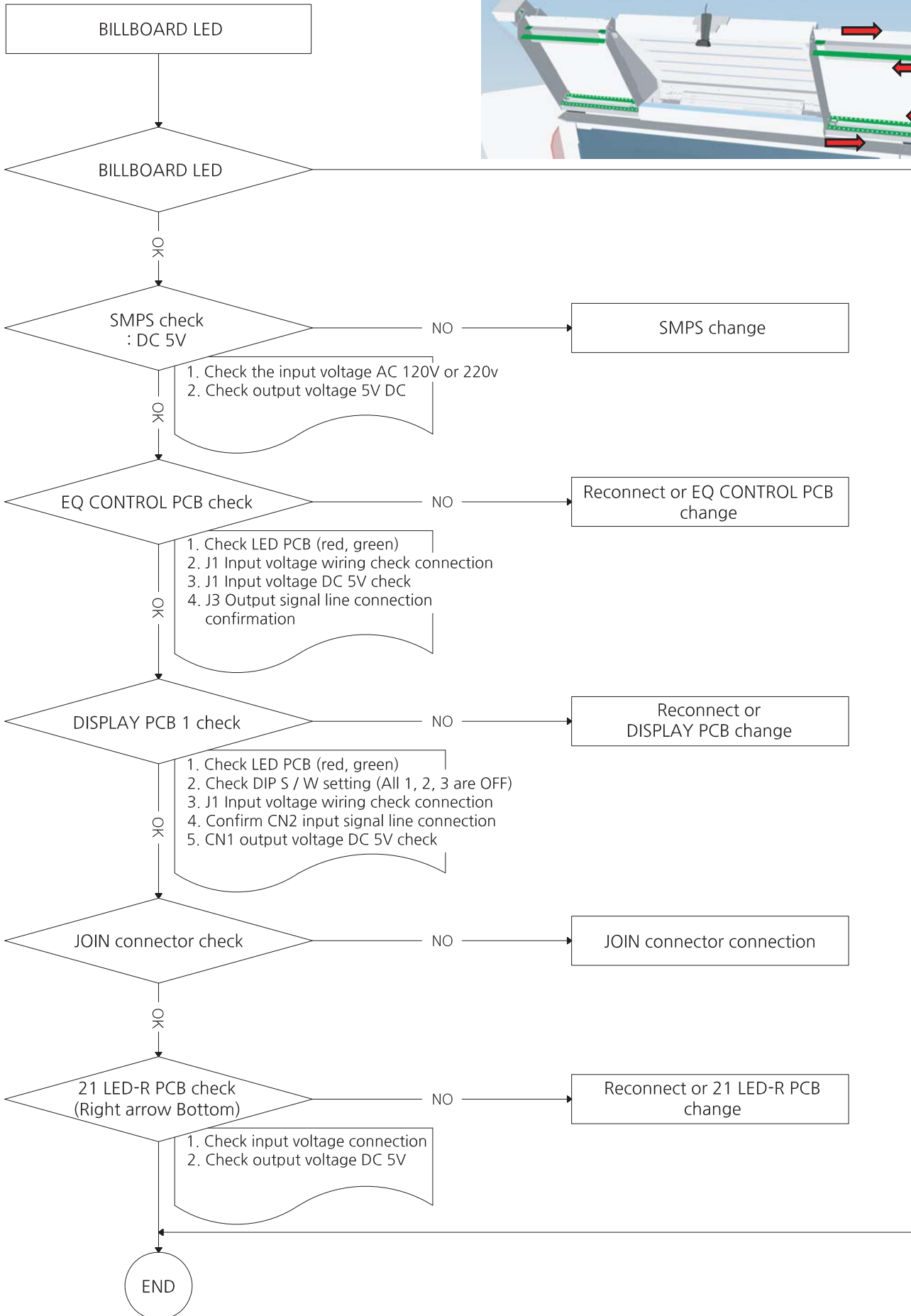
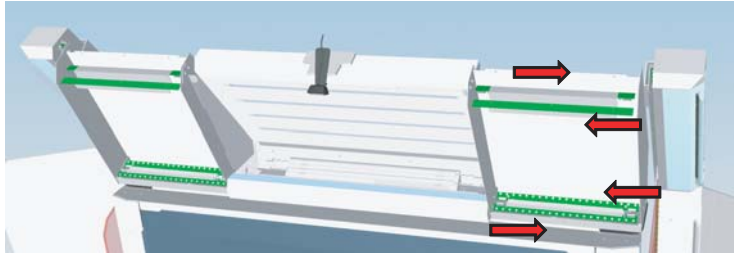


## \* MIDDLE LED PCB ERROR (part)

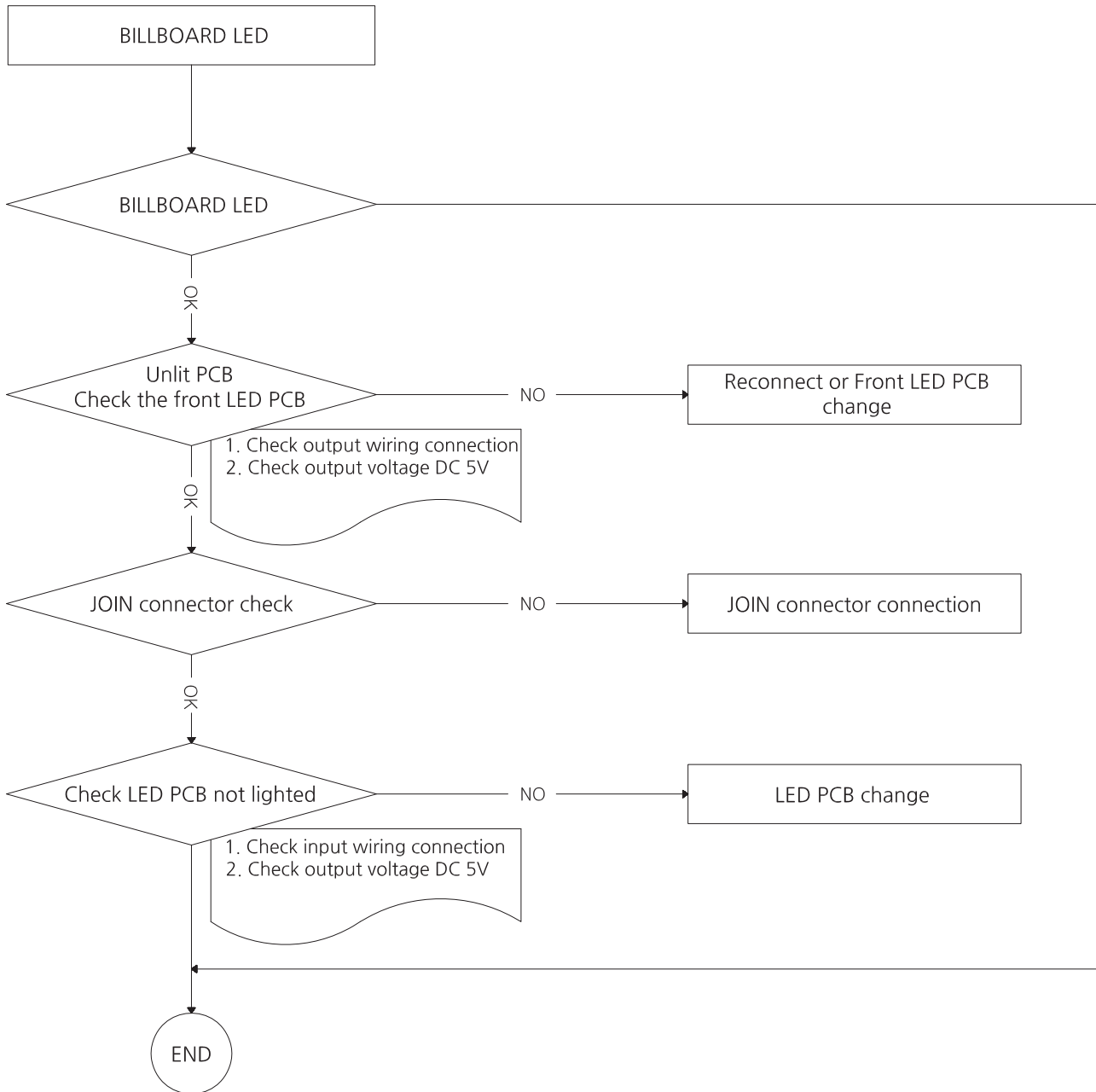


\* LED DOT Only one color is wrong or not lit - Replace corresponding LED or replace LED PCB

## - BILLBOARD LED PCB ERROR (all)

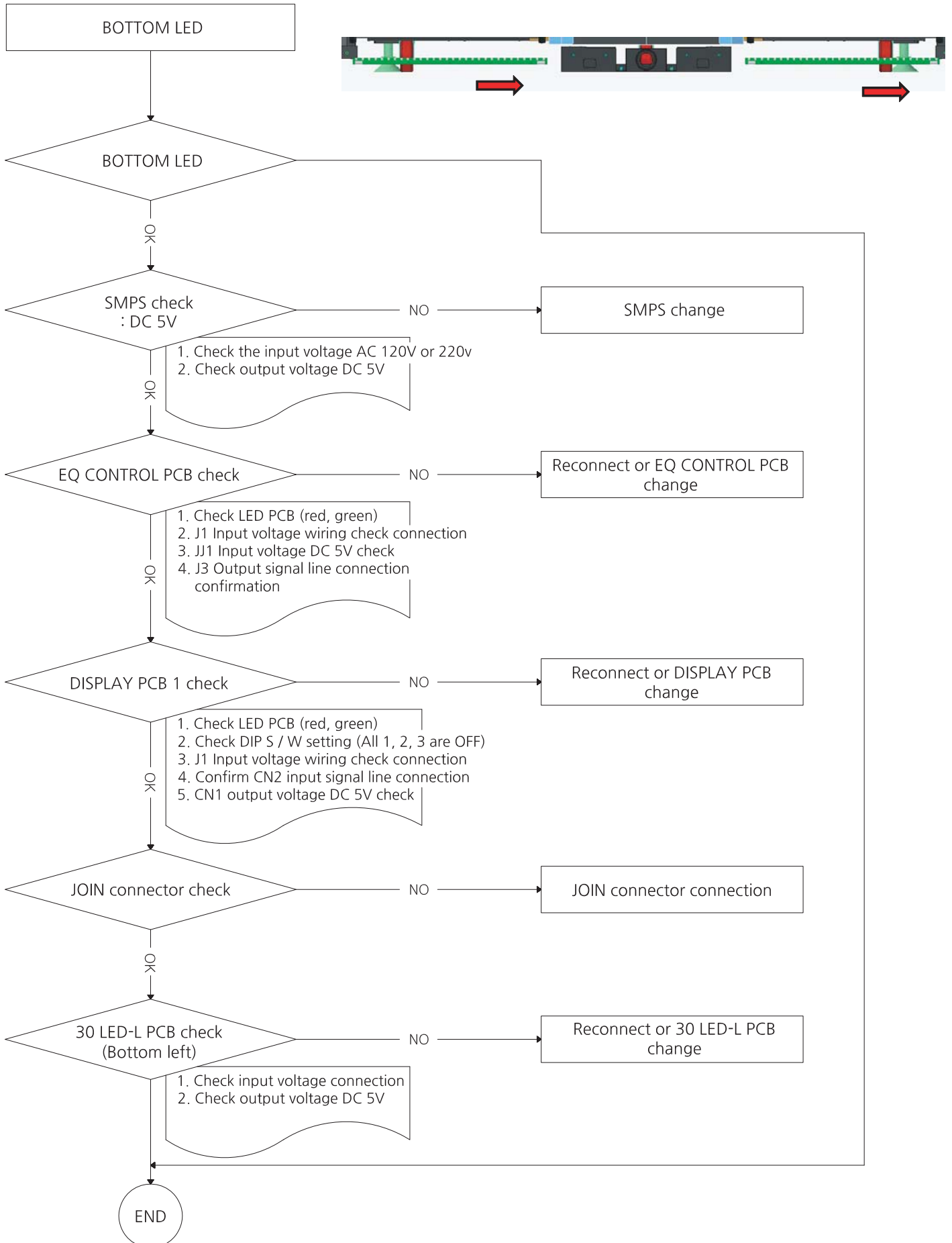


## \* BILLBOARD LED PCB ERROR (part)

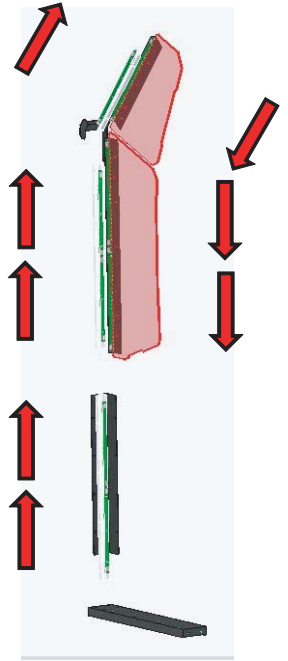
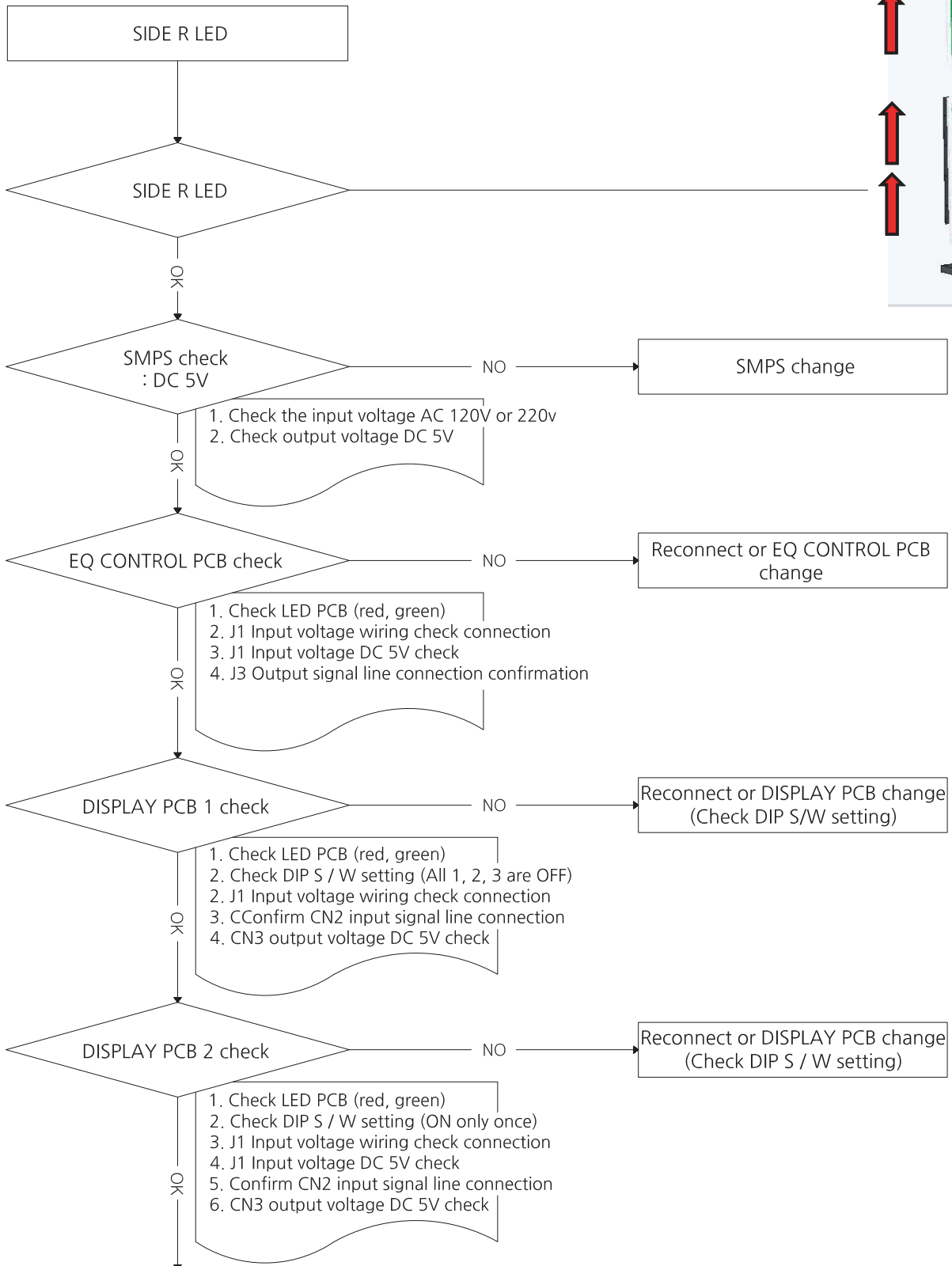


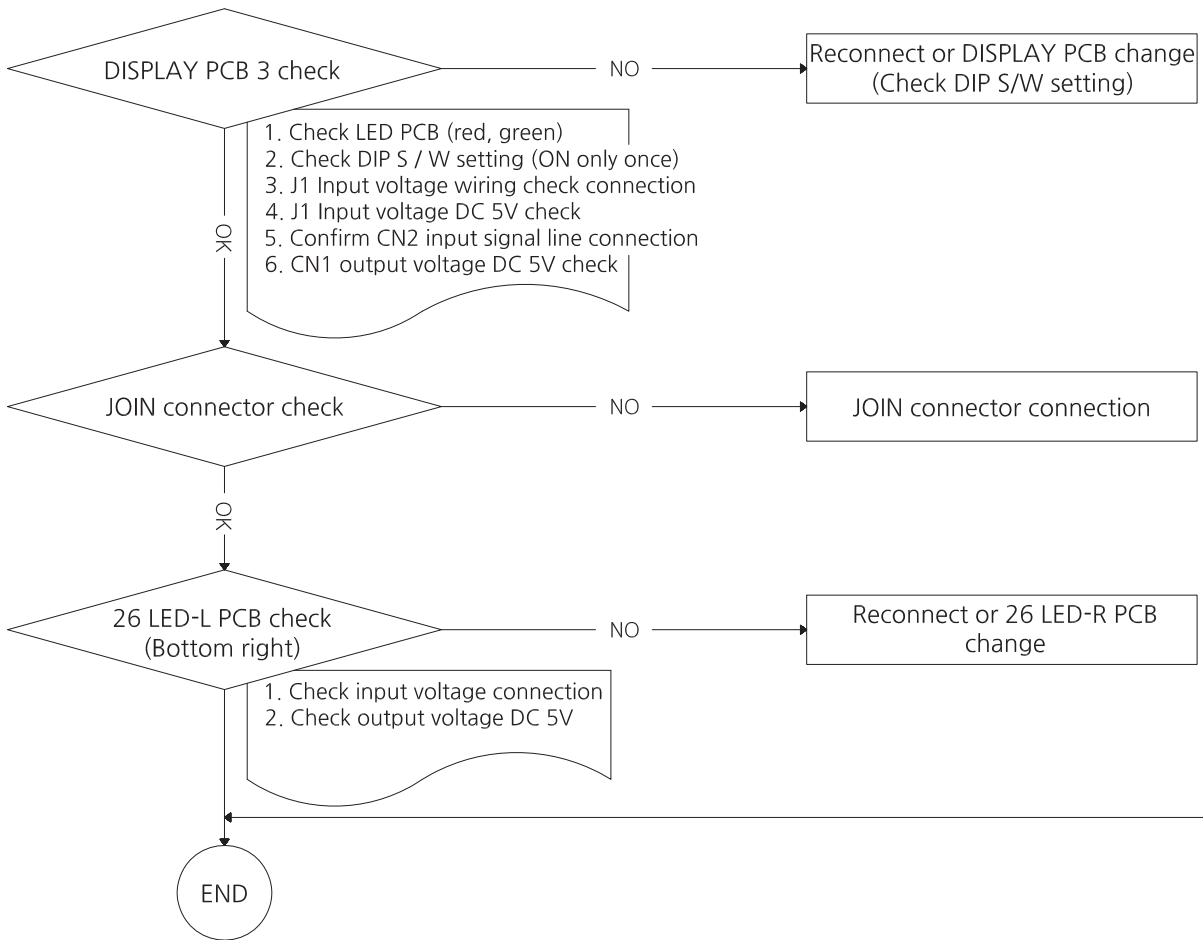
\* LED DOT Only one color is wrong or not lit - Replace corresponding LED or replace LED PCB

## - BOTTOM LED PCB ERROR (all)

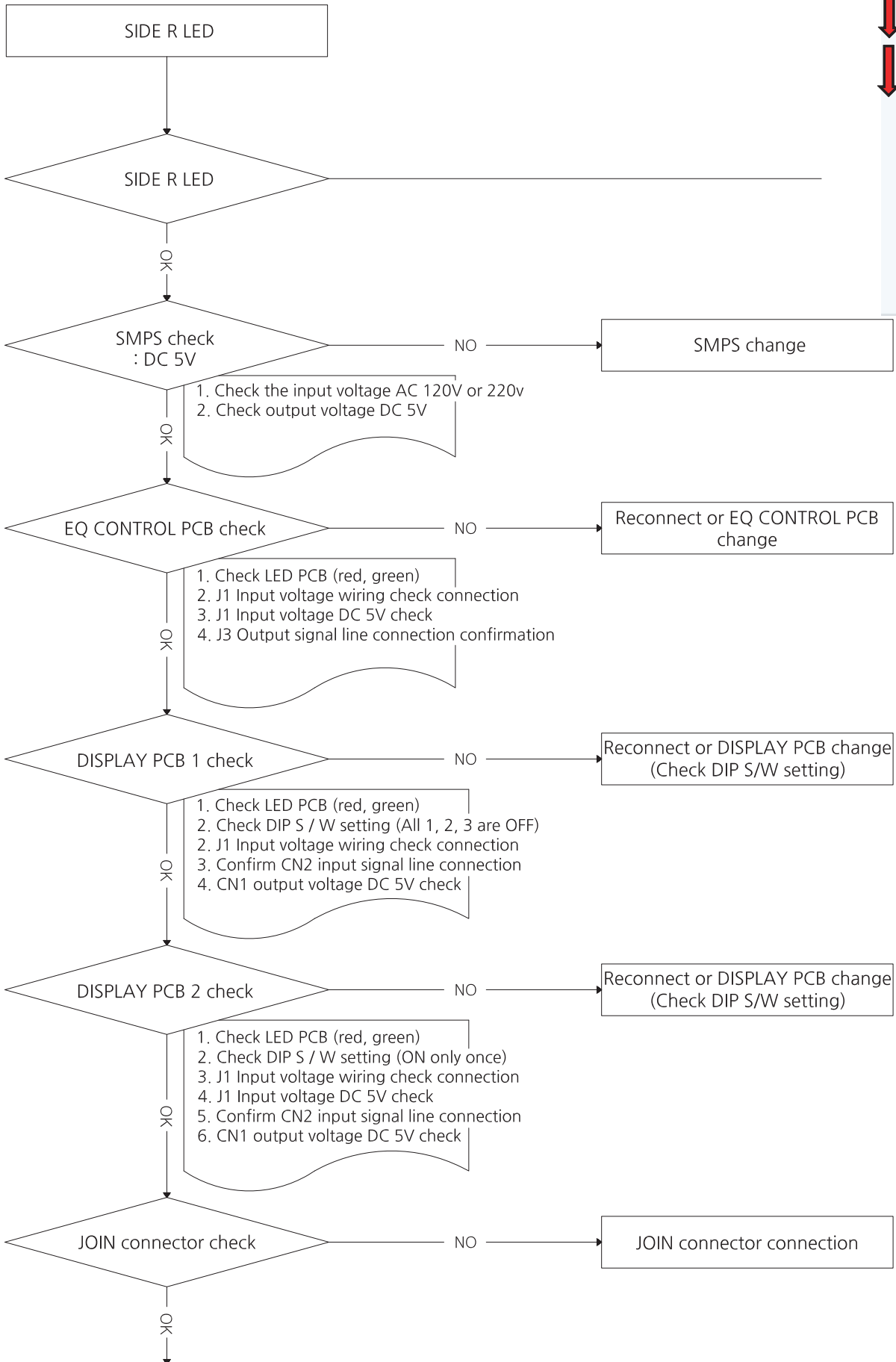
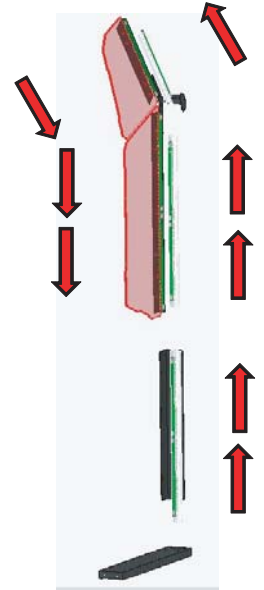


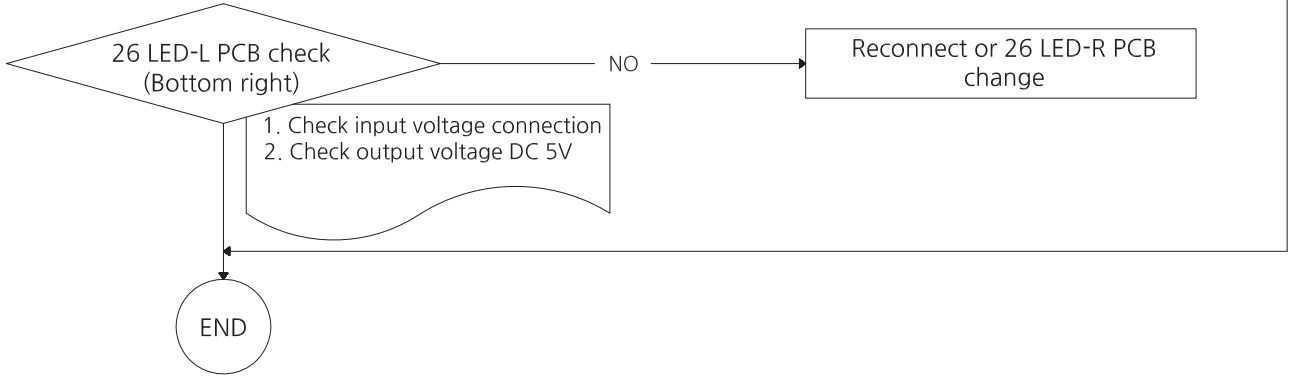
## - SIDE L LED ERROR (all)





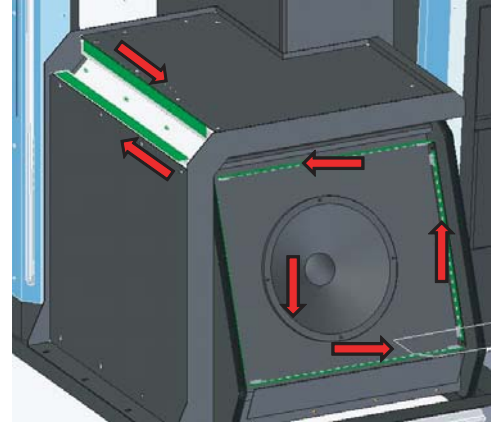
## - SIDE R LED ERROR (all)

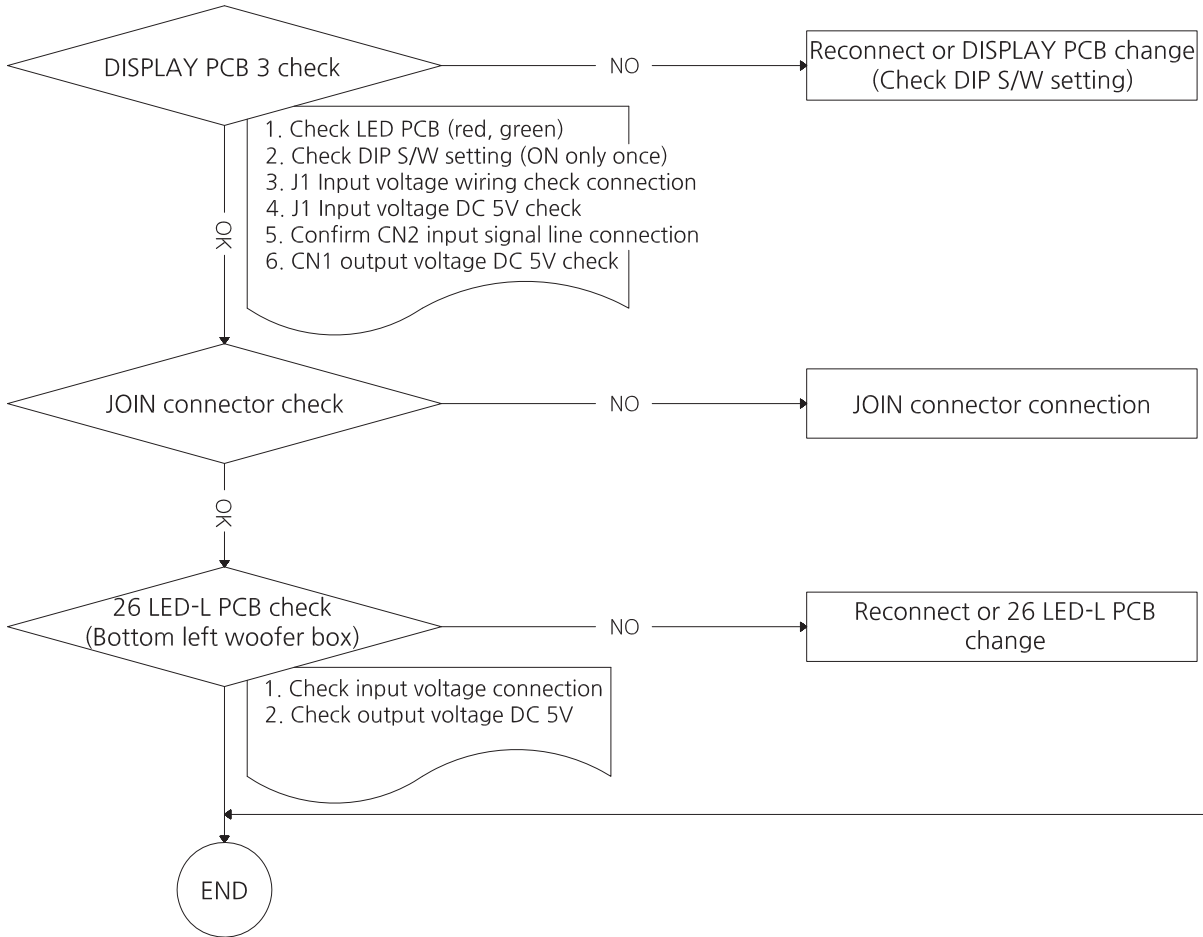




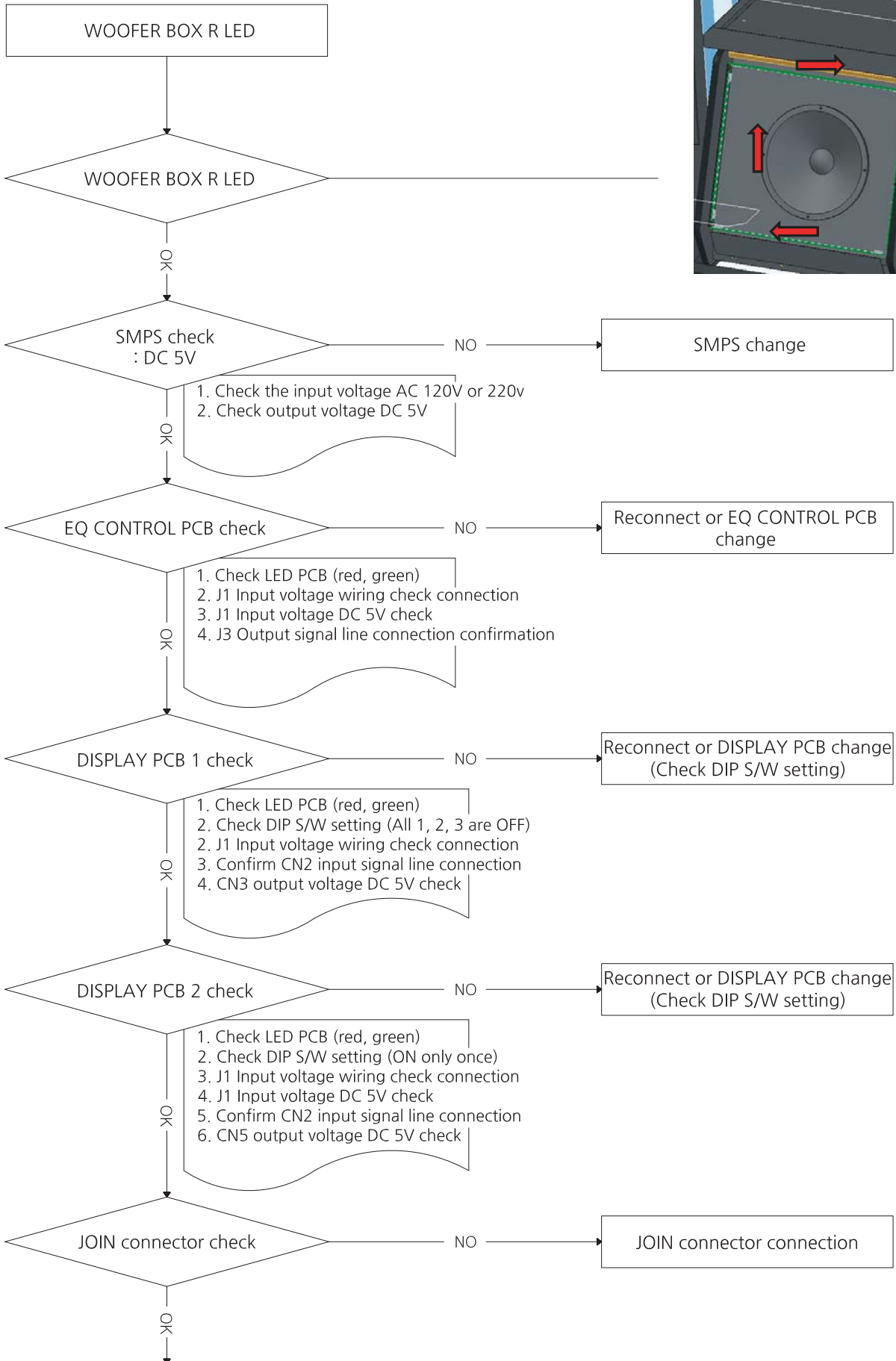
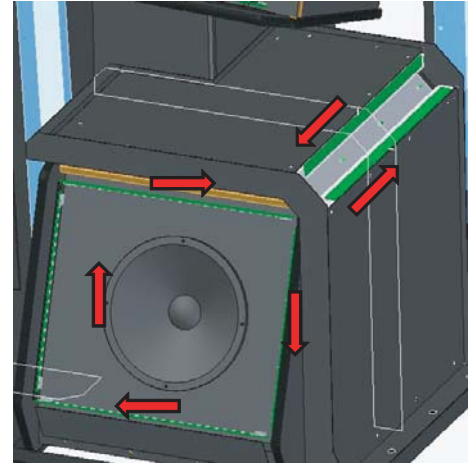


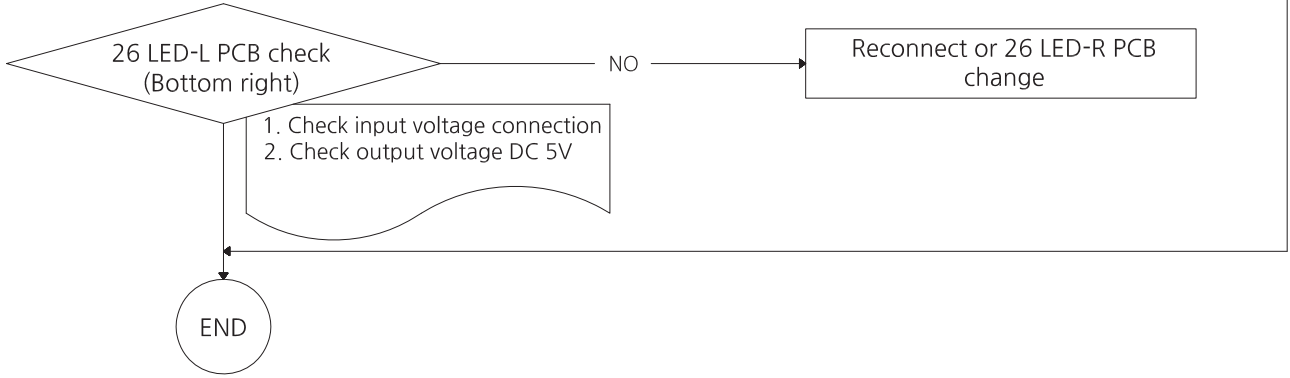
## - WOOFER BOX L LED ERROR (all)



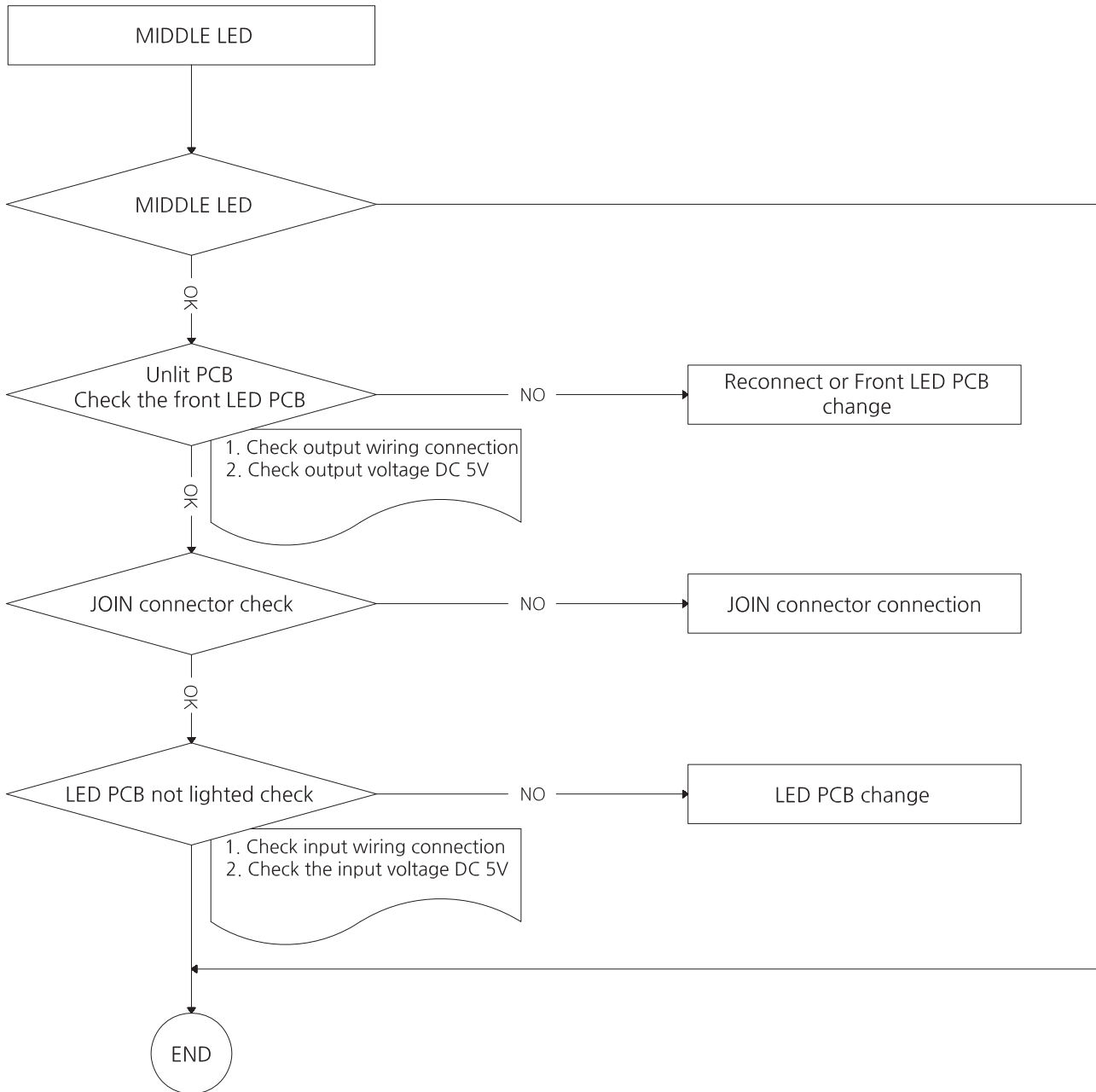


## - WOOFER BOX R LED ERROR (all)



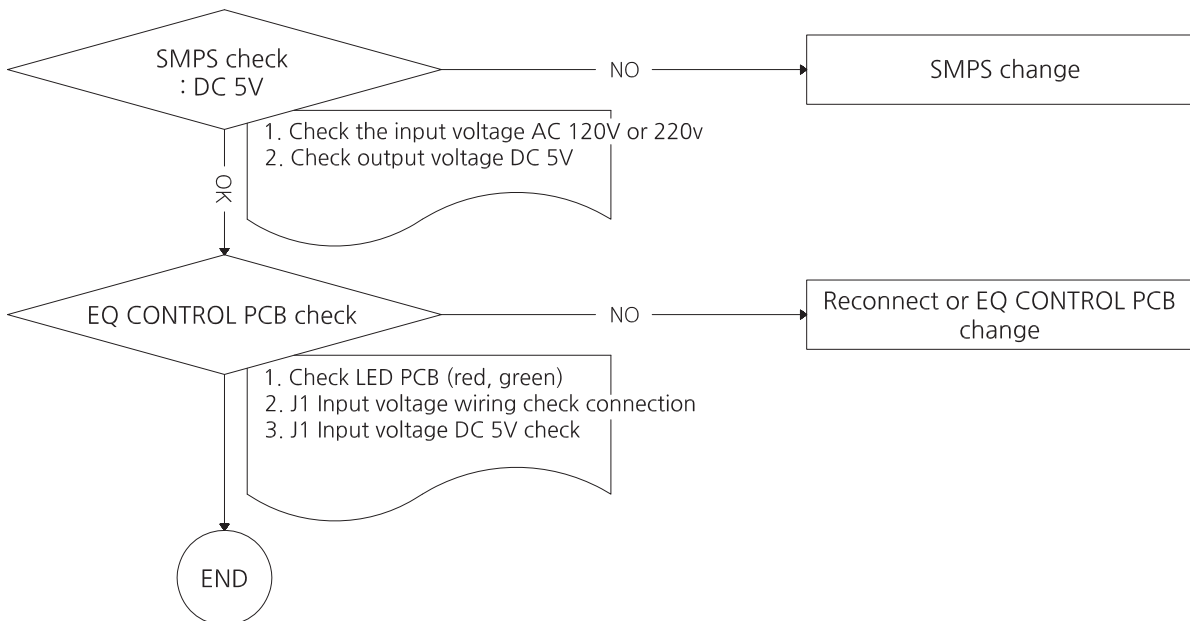


### \* COMMON\_LED PCB ERROR (part)

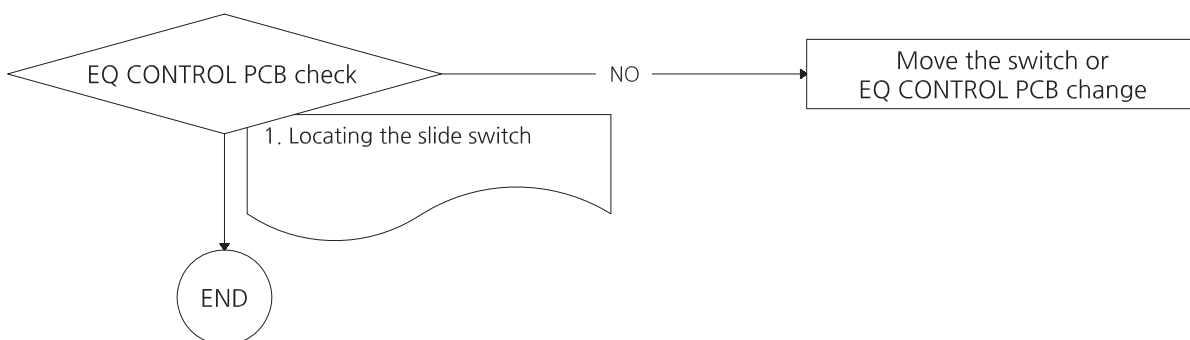


\* LED DOT Only one color is wrong or not lit - Replace corresponding LED or replace LED PCB

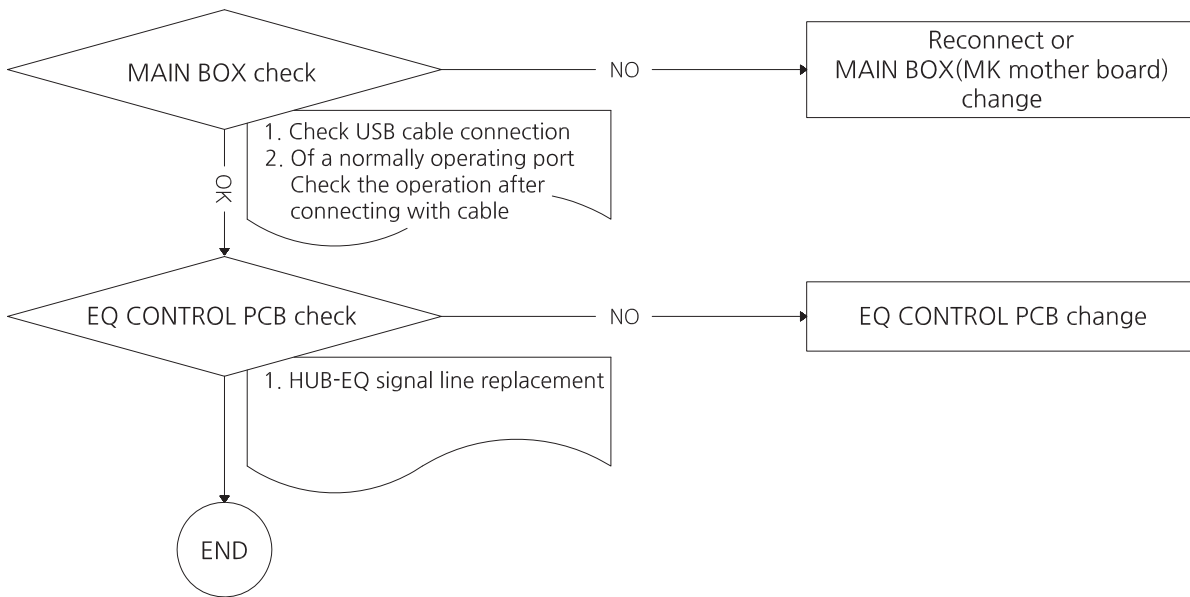
\* IF ALL THE COLOR LEDS ARE NOT LIGHT ON



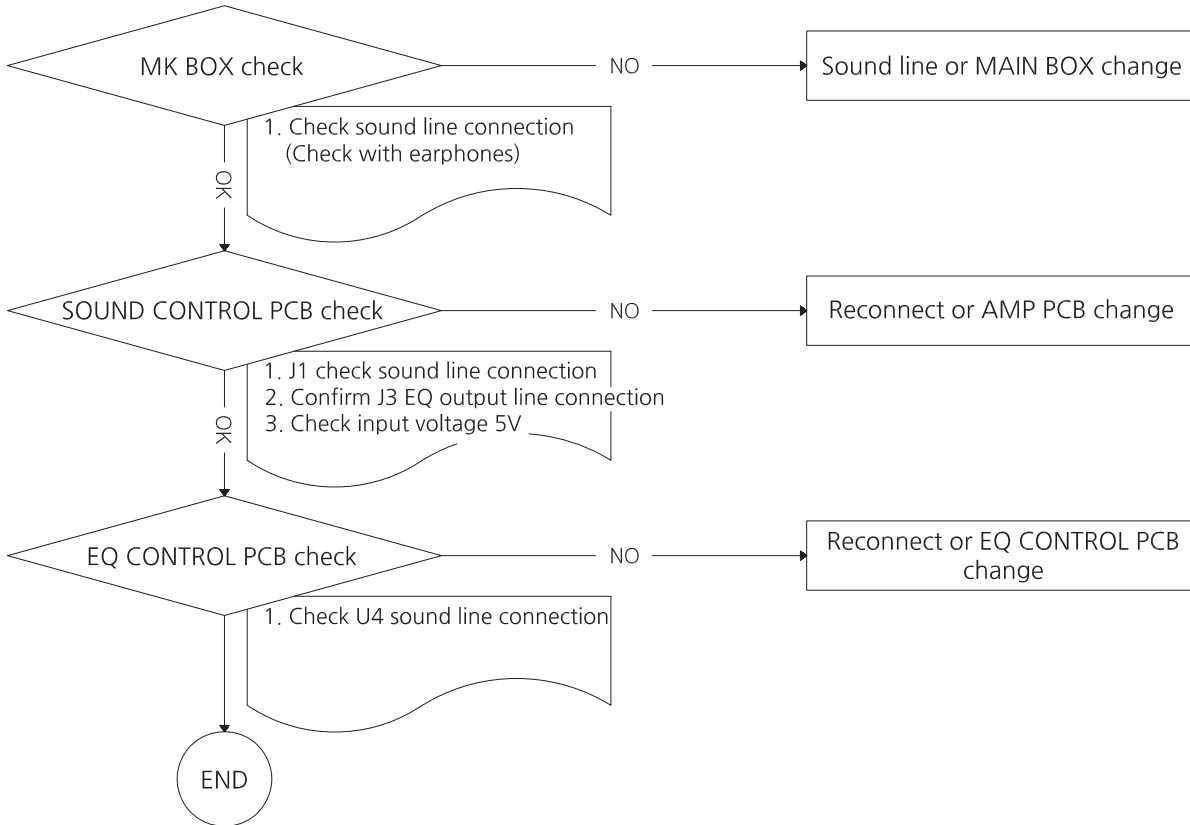
\* WHEN THE COLOR LED IS LIT ONLY IN RED, GREEN, BLUE, AND WHITE



\* WHEN THE COLOR LED IS ONLY LIT IN WHITE, BLUE, OR OFF



## - WHEN THE WHITE LIGHT AND THE BLUE LIGHT COME OUT ONLY OCCASIONALLY (EQ malfunction)





## - SOUND ERROR

